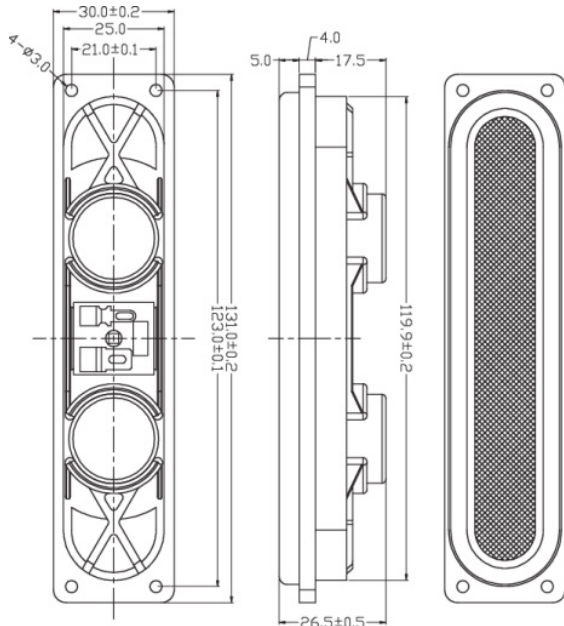




HARB252-8 1" x 5" Dual Motor High Aspect Ratio BMT 8 Ohms

HARB252-8



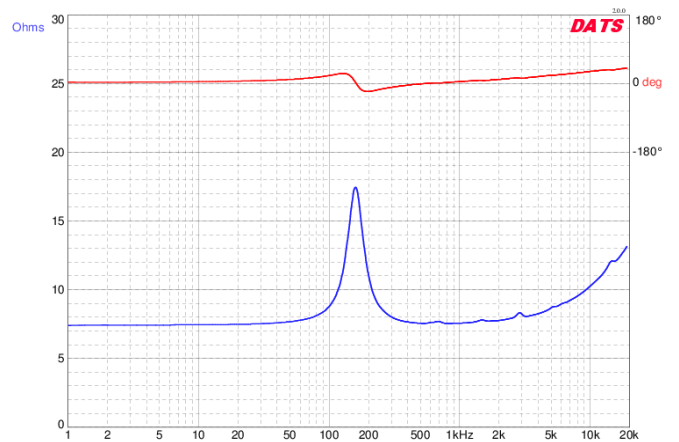
PARAMETERS

Impedance	8 ohms
Re	7.2 ohms
Le	0.09 mH @ 1 kHz
Fs	172.11 Hz
Qms	4.23
Qes	2.98
Qts	1.74
Mms	3.2g
Cms	0.3 mm/N
Sd	21.2 cm ²
Vd	2.6 cm ³
BL	3.04 Tm
Vas	0.19 liters
Xmax	1.3 mm
VC Diameter	0.63 mm
SPL	77 dB @ 2.83V/1m
RMS Power Handling	10 watts
Usable Frequency Range (Hz)	150 - 17,000 Hz

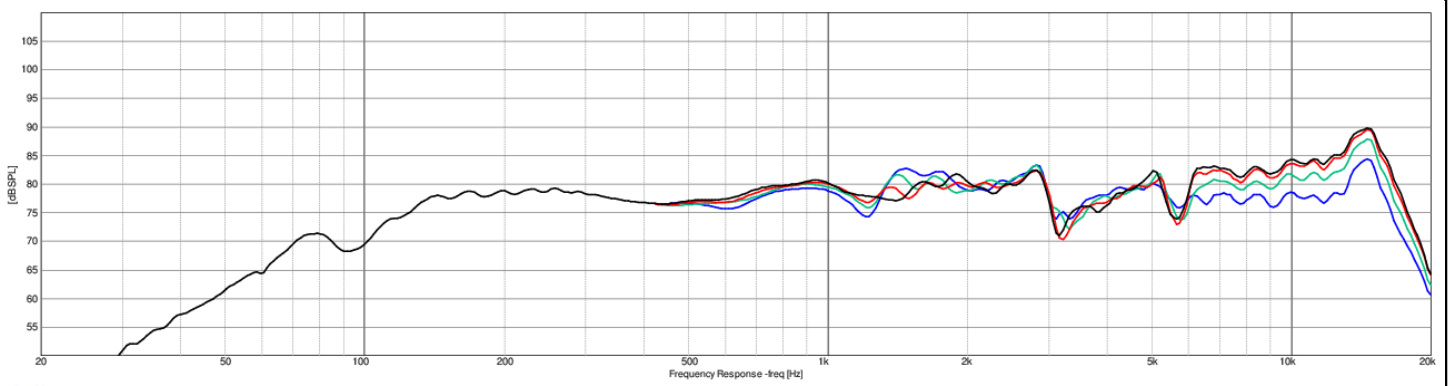
FEATURES

- High Aspect Ratio transducer fits in unconventional enclosures
- Dual neodymium magnet motors maintain narrow mounting profile
- Amazing off-axis frequency response
- Great for use in line arrays and low profile bar speakers

IMPEDANCE/PHASE



FREQUENCY RESPONSE



Note: 1/24th octave smoothing - nearfield response included in graph below 450 Hz.

Black = 0°
Red = 15°
Green = 30°
Blue = 45°