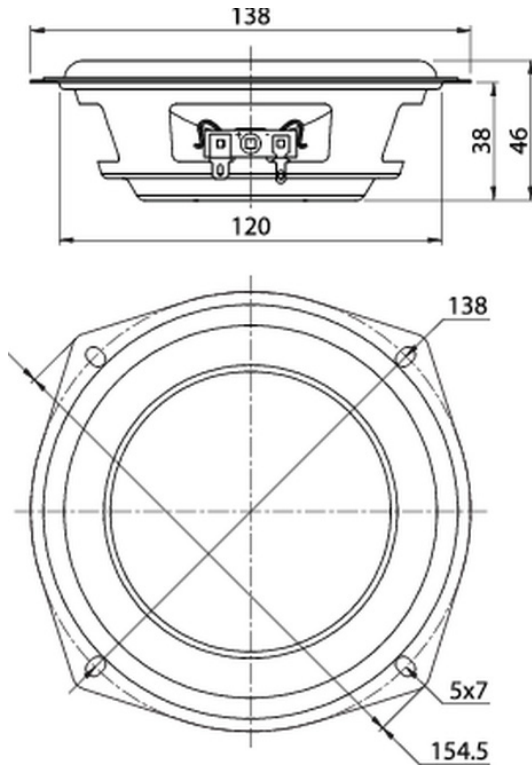




# ND140-PR 5-1/4" Aluminum Cone Passive Radiator

ND140-PR



## FEATURES

- Rigid black anodized aluminum alloy cone
- High excursion capability: 18 mm peak to peak
- Same "family look" as ND Series woofers
- Adjustable mass for a vast range of tuning frequencies

## Default Parameters (driver only)

Fs	44.2 Hz
Qms	4.02
Mms	16.4g
Cms	0.79 mm/N
Sd	86.6 cm <sup>2</sup>
Vd	N/A
Vas	8.4 liters
Xmax	9 mm
Rms	1.13 kg/s

Note: Parameters above are for the passive only with no additional mass added.