

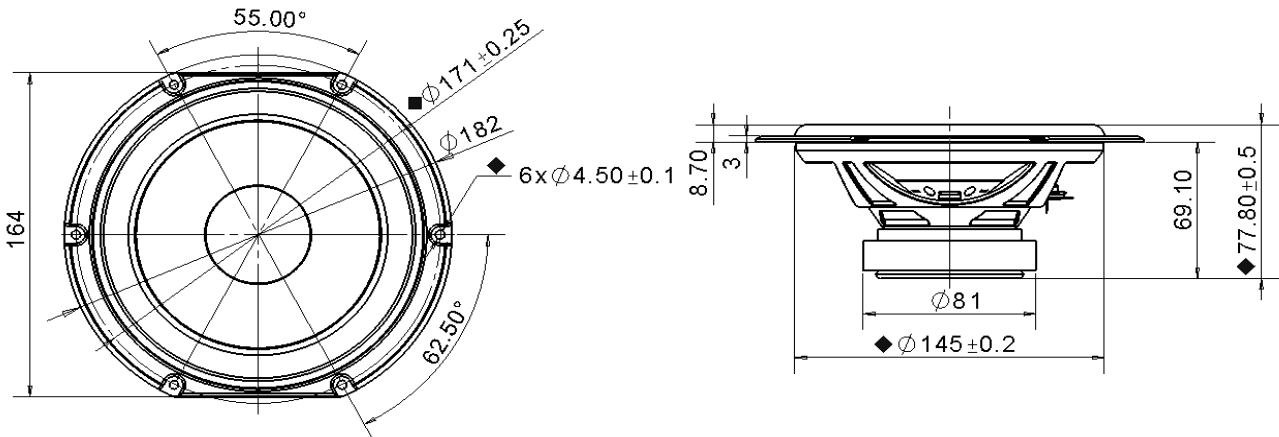


**Product Description:**

The SDS compact subwoofer family offers low resonant frequency performance, ideally suited for compact sealed enclosures. This 6.5 inch 8 ohm member of the SDS family offer a coated paper cone with rubber surround, a high power voice coil suspended in a ferrite magnet motor, and a narrow-profile steel basket, shaped to fit into narrow cabinets.



**Mechanical 2D Drawing:**



**Specifications:**

DC Resistance	$R_{evc}$	$\Omega$	6.0	5.0%	Energy Bandwidth Product	EBP	$(1/Q_{es}) \cdot f_s$	82
Minimum Impedance	$Z_{min}$	$\Omega$	6.4	7.5%	Moving Mass	$M_{ms}$	g	11.5
Voice Coil Inductance	$L_e$	mH	0.38		Suspension Compliance	$C_{ms}$	um/N	1101
Resonant Frequency	$f_s$	Hz	45	15.0%	Effective Cone Diameter	D	cm	13.40
Mechanical Q Factor	$Q_{ms}$	-	2.74		Effective Piston Area	$S_D$	cm <sup>2</sup>	141.0
Electrical Q Factor	$Q_{es}$	-	0.55		Equivalent Volume	$V_{as}$	L	30.765
Total Q Factor	$Q_{ts}$	-	0.46		Motor Force Factor	BL	T·m	5.98
Ratio $f_s / Q_{ts}$	F	$f_s / Q_{ts}$	99		Motor Efficiency Factor	$\beta$	$(T \cdot m^2) / \Omega$	5.91
Half Space Sensitivity @ 2.83V	$dB @ 2.83V/1m$	dB	89.5	$\pm 1.0^1$	Voice Coil Former Material	$VC_{fm}$	-	ASV
Sensitivity @ 1W/1m	$1W/1m$	dB	88.2	$\pm 1.0^1$	Voice Coil Inner Diameter	$VC_{id}$	mm	25.73
					Gap Height	Gh	mm	6.00
Rated Noise Power (IEC 2685 18.1)	P	W	60		Maximum Linear Excursion	$X_{max}$	mm	3.46
Test Spectrum Bandwidth	40Hz - 4kHz	12 dB/Oct			Ferrofluid Type	FF	-	N/A
					Transducer Size	-	inch	6.5
					Transducer Mass	-	kg	0.84

1 - Piston Band Sensitivity Tolerance

**Frequency and Impedance Response:**

