

LBB 1950/10 Plena Tabletop Unidirectional Condenser Microphone

www.boschsecurity.com



BOSCH

Invented for life



- ▶ Stylish tabletop unidirectional condenser microphone on a flexible stem
- ▶ Phantom powered by amplifier
- ▶ Momentary or toggle PTT-key for calls with priority contact
- ▶ Green LED, indicating microphone active
- ▶ Stable metal base design with fixed 2 m cable and lockable DIN connector

The Plena tabletop microphone is a stylish, high-quality tabletop unidirectional condenser microphone, mainly intended for making calls in a public address system. Its heavy metal base and rubber feet ensure stability on any flat surface. The special design also allows the unit to be neatly flush-mounted in desktops.

Functions

The PTT-key (press-to-talk), not only switches on the microphone, but also provides priority contacts, that are compatible with the Plena range of amplifiers. The switching characteristic of the PTT-key can be configured internally for PTT-mode (on as long as pressed) or toggle-mode (press to switch on, press again to switch off).

It is equipped with a fixed, flexible 2 m cable and a 5-pin DIN connector for the balanced signal and the priority contacts. If the priority contacts are not required, the microphone can be connected to amplifiers with 3-pin XLR-inputs, using the DIN to XLR adapter.

A green LED indicates when the microphone is active.

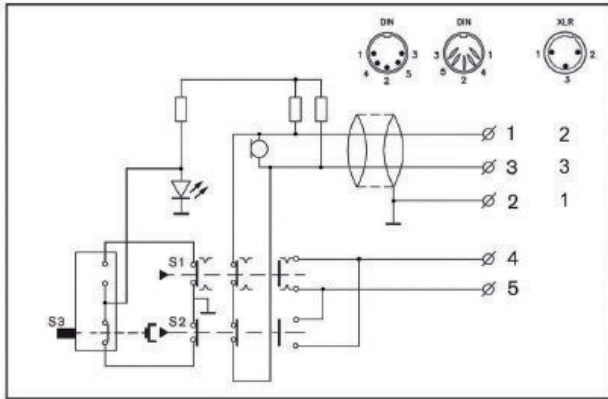
Controls and indicators

- PTT-key
- PTT status LED

Certifications and Approvals

Safety	acc. to EN 60065
Immunity	acc. to EN 55103-2
Emission	acc. to EN 55103-1
Region	Certification
Europe	CE

Installation/Configuration Notes



Circuit diagram

Parts Included

Quantity	Component
1	LBB 1950/10 PLENA Tabletop Unidirectional Condenser Microphone
1	DIN to XLR adapter

Technical Specifications

Electrical

Phantom power supply	
Voltage range	12 to 48 V
Current consumption	<8 mA
Performance	
Sensitivity	0.7 mV @ 85 dB SPL (2 mV/Pa)
Maximum input sound level	110 dB SPL
Distortion	<0.6% (maximum input)
Input noise level (equiv.)	28 dB SPLA (S/N 66 dBA ref. 1 Pa)
Frequency response	100 Hz to 16 kHz
Output impedance	200 ohm

Mechanical

Base dimensions (H x W x D)	40 x 100 x 235 mm (1.57 x 3.97 x 9.25 in)
Weight	Approx. 1 kg (2.2 lb)
Color	Charcoal with silver
Stem length with mic	390 mm (15.35 in)
Cable length	2 m (6.56 ft)

Environmental

Operating temperature	-10 °C to +55 °C (14 °F to +131 °F)
Storage temperature	-40 °C to +70 °C (-40 °F to +158 °F)
Relative humidity	<95%

Ordering Information

LBB 1950/10 Plena Tabletop Unidirectional Condenser Microphone

tabletop unidirectional condenser microphone on a flexible stem.

Order number **LBB1950/10**

Accessories

LBC 1102/02 Cable Transformer

for galvanic separation

Order number **LBC1102/02**

LBC 1080/00 Microphone Cable

length 100 m; 2 x 0.13 mm²

Order number **LBC1080/00**

LBC 1082/00 Microphone Cable

length 100 m; 2 x 0.75 mm²

Order number **LBC1082/00**

LBC 1081/00 Microphone Cable

length 100 m; 4 x 0.14 mm²

Order number **LBC1081/00**

Plena Table-top Microphone



Security Systems

en | Quick Reference Card
LBB 1950/10

fr | Guide de Référence Rapide
LBB 1950/10

de | Kurzanleitung
LBB 1950/10

es | Guía de Referencia Rápida
LBB 1950/10

nl | Beknopte Handleiding
LBB 1950/10

it | Guida Rapida
LBB 1950/10

zh | Quick Reference Card
LBB 1950/10

BOSCH

en **Technical data**

Phantom power supply

Voltage range	12-48 V
Current consumption	<8 mA
Sensitivity	0.7 mV at 85 dB SPL (i.e. 2 mV/Pa)
Maximum input sound level	110dB SPL
Distortion	<0,6% (max. input)
Equivalent input noise level	28 dBA SPL (i.e. S/N 66 dBA ref. 1Pa)
Frequency response	100 Hz - 16 kHz
Output impedance	200 Ohm
Operating temperature range	-10 to +55°C
Storage temperature range	-40 to +70°C
Relative humidity	<95%
EMC emission	acc. to EN 55103-1
EMC immunity	acc. to EN 55103-2
Dimensions (base)	40 x 100 x 235 mm
Stem length	390 mm
Weight	approx. 1 kg

nl **Technische gegevens**

Fantoomvoeding

Spanningsbereik	12 V - 48 V
Stroomverbruik	<8 mA
Gevoeligheid	0,7 mV bij 85 dB SPL (2 mV/Pa)
Max. niveau ingangssignaal	110 dB SPL
Vervorming	<0,6% (max. ingangsniveau)
Equivalent ruisniveau	28 dBA SPL (S/R 66 dBA ref. 1Pa)
Frequentiebereik	100 Hz - 16 kHz
Uitgangsimpedantie	200 Ohm
Temperatuur, in bedrijf	-10°C tot +55°C
Temperatuur, buiten bedrijf	-40°C tot +70°C
Relatieve luchtvochtigheidsgraad	<95%
EMC-emissie	conform EN 55103-1
EMC-immuniteit	conform EN 55103-2
Afmetingen (voet)	40 x 100 x 235 mm
Halslengte	390 mm
Gewicht	ca. 1 kg

fr **Spécifications techniques**

Alimentation fantôme

Plage de tensions	12-48 V
Consommation électrique	<8 mA
Sensibilité	0,7 mV, NPA de 85 dB (2 mV/Pa)
Niveau sonore max. en entrée NPA de	110 dB SPL
Distorsion	< 0,6% (max. en entrée)
Niveau sonore équivalent en entrée	28 dBA SPL (S/B de 66 dBA réf. 1 Pa)
Réponse en fréquence	100 Hz - 16 kHz
Impédance en sortie	200 Ohms
Températures en fonctionnement	-10 à +55°C
Températures de stockage	-40 à +70°C
Humidité relative	< 95%
Emission EMC, standard	EN 55103-1
Immunité EMC, standard	EN 55103-2
Dimensions (base)	40 x 100 x 235 mm
Longueur perche	390 mm
Poids	approximatif 1 kg

it **Specifiche tecniche**

Alimentazione fantasma

Gamma tensioni	12-48 V
Consumo	<8 mA
Sensibilità	0,7 mV a 85 dB SPL (ossia 2mV/Pa)
Livello audio ingresso massimo	110 dB SPL
Distorsione	<0,6% (max. ingresso)
Livello rumore ingresso equivalente	28 dBA SPL (ossia S/R 66 dBA rif. 1Pa)
Risposta in frequenza	100 Hz - 16 kHz
Impedenza in uscita	200 Ohm
Gamma temperature operative: da	-10°C a +55°C
Gamma temperature in stoccaggio da	-40°C a +70°C
Umidità relativa	<95%
Emissioni EMC in acc.	con EN 55103-1
Immunità EMC in acc.	con EN 55103-2
Dimensioni (base)	40 x 100 x 235 mm
Lunghezza stelo	390 mm
Peso	(circa) 1 kg

de **Technische Daten**

Phantomspeisung

Spannungsbereich	12-48 V
Stromaufnahme	<8 mA
Empfindlichkeit	0,7 mV bei 85 dB SPL (d.h. 2 mV/Pa)
Grenzeingangsschalldruckpegel	110 dB SPL
Klirrfaktor	<0,6% (max. Eingang)
Äquivalenteingangsschalldruckpegel	28 dBA SPL (d.h. S/R 66 dBA bezogen auf 1Pa)
Frequenzgang	100 Hz - 16 kHz
Ausgangsimpedanz	200 Ohm
Betriebstemperaturbereich	-10 bis +55 °C
Lagertemperaturbereich	-40 bis +70 °C
Relative Luftfeuchtigkeit	<95%
EMV: Störaussendung	gemäß EN 55103-1
EMV: Störfestigkeit	gemäß EN 55103-2
Abmessungen (Basis)	40 x 100 x 235 mm
Armlänge	390 mm
Gewicht	ca. 1 kg

zh **Technical data**

Phantom power supply

Voltage range	12-48 V
Current consumption	<8 mA
Sensitivity	0.7 mV at 85 dB SPL (i.e. 2 mV/Pa)
Maximum input sound level	110dB SPL
Distortion	<0,6% (max. input)
Equivalent input noise level	28 dBA SPL (i.e. S/N 66 dBA ref. 1Pa)
Frequency response	100 Hz - 16 kHz
Output impedance	200 Ohm
Operating temperature range	-10 to +55°C
Storage temperature range	-40 to +70°C
Relative humidity	<95%
EMC emission	acc. to EN 55103-1
EMC immunity	acc. to EN 55103-2
Dimensions (base)	40 x 100 x 235 mm
Stem length	390 mm
Weight	approx. 1 kg

es **Datos técnicos**

Fuente de alimentación fantasma

Rango de voltaje	12-48 V
Consumo de corriente	<8 mA
Sensibilidad	0,7 mV a 85 dB SPL (es decir, 2 mV/Pa)
Nivel máximo de entrada de sonido	110 dB SPL
Distorsión	<0,6% (entrada máx.)
Nivel equivalente de ruido de entrada	28 dBA SPL (esto es, S/R 66 dBA ref. 1Pa)
Respuesta de frecuencia	100 Hz - 16 kHz
Impedancia de salida	200 Ohm
Rango de temperatura en servicio	-10 a +55 °C
Rango de temperatura de almacenamiento	-40 a +70 °C
Humedad relativa	<95%
Emissiones EMC	según EN 55103-1
Inmunidad EMC	según EN 55103-2
Dimensiones (base)	40 x 100 x 235 mm
Longitud de la varilla	390 mm
Peso	aprox. 1 kg

en	momentary	latching
fr	momentané	maintenu
de	momentan	festhaltend
es	momentáneo	enclavado
nl	momenteel	vasthoudend
it	momentaneo	a ritenzione
zh	momentary	latching

