

LBC 3018/00 Metal Cabinet Loudspeaker

www.boschsecurity.com



BOSCH
Invented for life



- ▶ Suitable for speech and music reproduction
- ▶ Robust metal enclosure
- ▶ Surface and/or recessed mounting
- ▶ Unobtrusive in virtually all interiors
- ▶ Recommended for voice evacuation systems

The LBC 3018/00 cabinet loudspeaker delivers professional performance from a robust, yet aesthetically designed metal enclosure. It is an ideal loudspeaker for indoor use in offices, schools, car parking, shopping centers and in areas where vandalism is a potential hazard.

Functions

Voice alarm loudspeakers are specifically designed for use in buildings, where the performance of PA-systems is subject to official regulations. The LBC 3018/00 is designed for voice alarm systems, and is compliant with British Standard BS 5839-8.

The loudspeaker has built-in protection to ensure that, in the event of a fire, damage to the loudspeaker does not result in failure of the circuit to which it is connected. In this way, system integrity is maintained, ensuring loudspeakers in other areas can still be used to inform people of the situation. The loudspeaker has a ceramic terminal block, thermal fuse, and heat-resistant, high-temperature wiring.

The cabinets are equipped with a high efficiency, dual-cone loudspeaker offering a wide frequency range suitable for both speech and music reproduction.

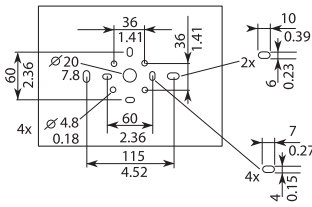
Certifications and approvals

All Bosch loudspeakers are designed to withstand operating at their rated power for 100 hours in accordance with IEC 268-5 Power Handling Capacity (PHC) standards. Bosch has also developed the Simulated Acoustical Feedback Exposure (SAFE) test to demonstrate that they can withstand two times their rated power for short durations. This ensures extra reliability under extreme conditions, leading to higher customer satisfaction, longer operating life, and much less chance of failure or performance deterioration.

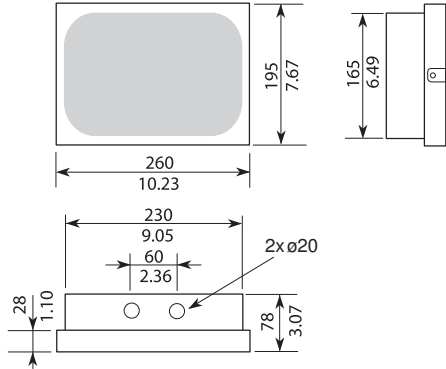
Safety	acc. to EN 60065
Emergency	acc. to BS 5839-8

Region	Certification
Europe	CE
Poland	CNBOP
	CNBOP

Installation/configuration notes

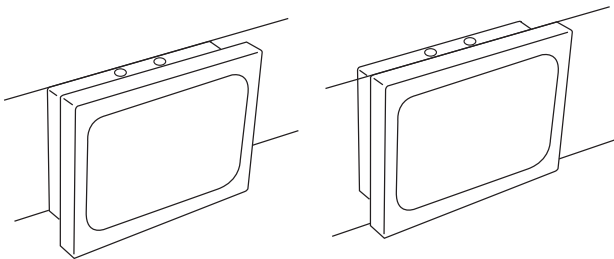


Mounting dimensions in mm (in)



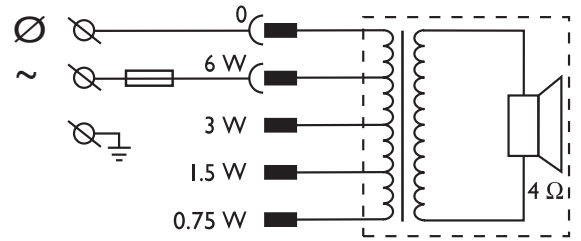
Dimensions in mm (in)

The cabinet is designed for both surface mounting on walls and recessed mounting into brick or concrete walls. The backbox of the cabinet provides a selection of mounting holes, even for mounting onto U40 and MK installation boxes. The backbox has two knockout holes on the topside for two cable glands for loop-through connection. For extra convenience, a safety cord from the backbox lets the installer temporarily hang the front grille unit during installation.

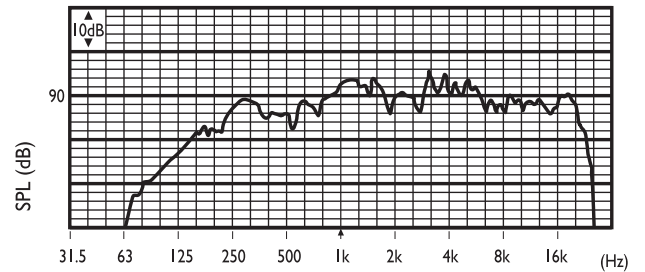


Surface mounted (left) and recessed (right) mounted

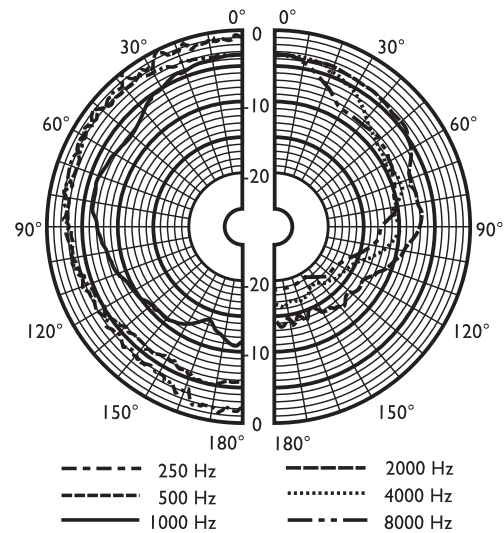
The cabinet has a three-way terminal block with screw connections suitable for loop-through wiring (including earth) Four primary taps are provided on the matching transformer to allow selection of nominal full-power, half-power, quarter-power or eighth power radiation (in 3 dB steps).



Circuit diagram



Frequency response



Polar diagram (measured with pink noise)

	250 Hz	500 Hz	1 kHz	2 kHz	4 kHz	8 kHz
SPL 1.1	84	93	94	97	97	93
SPL max.	92	101	102	105	105	103
Q-factor	2.5	3.3	7.9	8.5	12.9	14.2
Efficiency	0.32	2.2	4	7.1	5.6	2.5
H. angle	180	180	120	85	55	40
V. angle	180	180	80	110	60	35

Acoustical performance specified per octave

Technical specifications

Electrical*

Maximum power	9 W
Rated power (PHC)	6 / 3 / 1.5 / 0.75 W
Sound pressure level at 6 W / 1 W (1 kHz, 1 m)	102 dB / 94 dB (SPL)
Effective frequency Range (-10 dB)	150 Hz to 20 kHz
Opening angle at 1 kHz / 4 kHz (-6 dB)	120 ° / 55 °
Rated voltage	100 V
Rated impedance	1667 ohm
Connector	3-pole screw

* Technical performance data acc. to IEC 60268-5

Mechanical

Dimensions (H x W x D)	195 x 260 x 80 mm (7.68 x 10.24 x 3.15 in)
Weight	2.6 kg (5.78 lb)
Color	White (RAL 9010)
Speaker size	152.4 mm (6 in)
Magnet weight	150 g (5.3 oz)

Environmental

Operating temperature	-25 °C to +55 °C (-13 °F to +131 °F)
Storage temperature	-40 °C to +70 °C (-40 °F to +158 °F)
Relative humidity	<95%

Ordering information

LBC 3018/00 Metal Cabinet Loudspeaker

9 W

Order number **LBC3018/00**

Represented by:

Americas:

Bosch Security Systems, Inc.
12000 Portland Avenue South
Burnsville MN 55337, USA
Phone: +1-800-392-3497
Fax: +1-800-955-6831
audiosupport@us.bosch.com
www.boschsecurity.com

Europe, Middle East, Africa:

Bosch Security Systems B.V.
P.O. Box 80002
5617 BA Eindhoven, The Netherlands
Phone: + 31 40 2577 284
Fax: +31 40 2577 330
emea.securitysystems@bosch.com
www.boschsecurity.com

Asia-Pacific:

Robert Bosch (SEA) Pte Ltd, Security Systems
11 Bishan Street 21
Singapore 573943
Phone: +65 6571 2808
Fax: +65 6571 2699
apr.securitysystems@bosch.com
www.boschsecurity.asia

China:

Bosch (Shanghai) Security Systems Ltd.
201 Building, No. 333 Fuquan Road
North IBP
Changning District, Shanghai
200335 China
Phone +86 21 22181111
Fax: +86 21 22182398
www.boschsecurity.com.cn

America Latina:

Robert Bosch Ltda Security Systems Division
Via Anhanguera, Km 98
CEP 13065-900
Campinas, Sao Paulo, Brazil
Phone: +55 19 2103 2860
Fax: +55 19 2103 2862
al.securitysystems@bosch.com
www.boschsecurity.com