



Ceiling Loudspeaker

LC5-WC06E4 and LC5-CBB



BOSCH

en Installation note

1 Installation

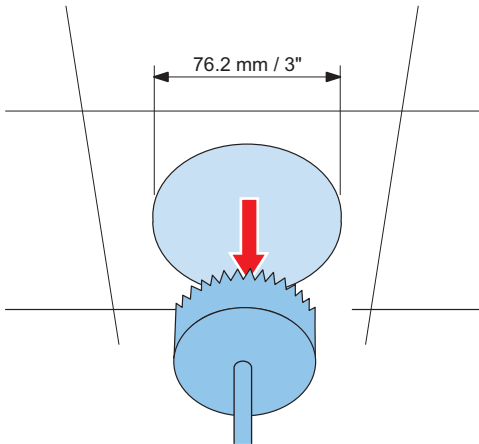


Fig. 1

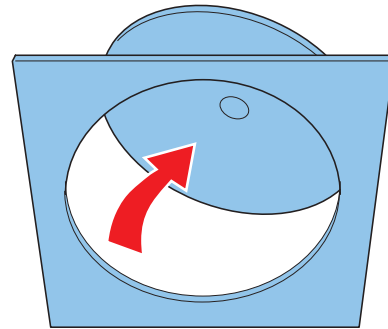


Fig. 2

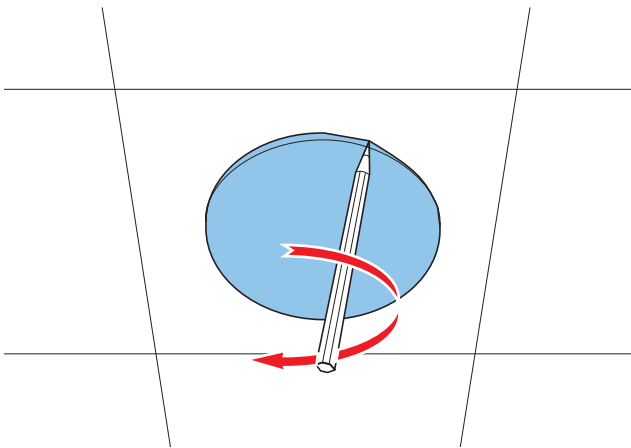


Fig. 3

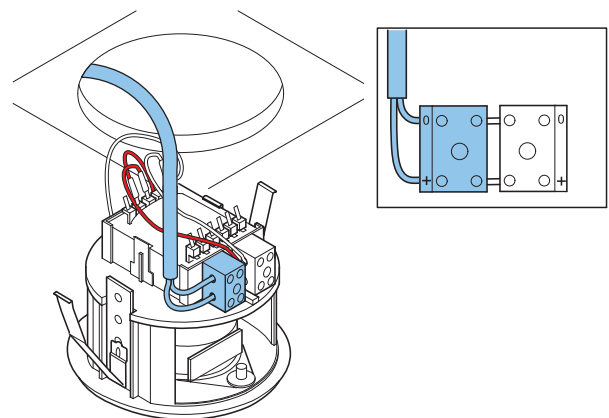


Fig. 4

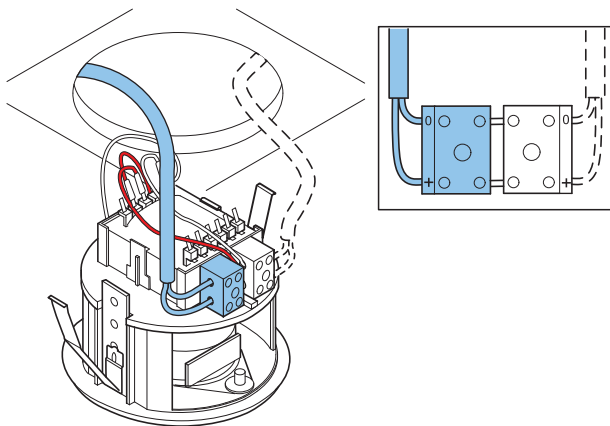


Fig. 5

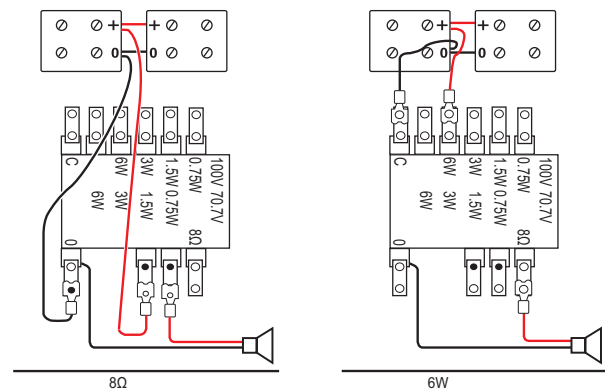


Fig. 6

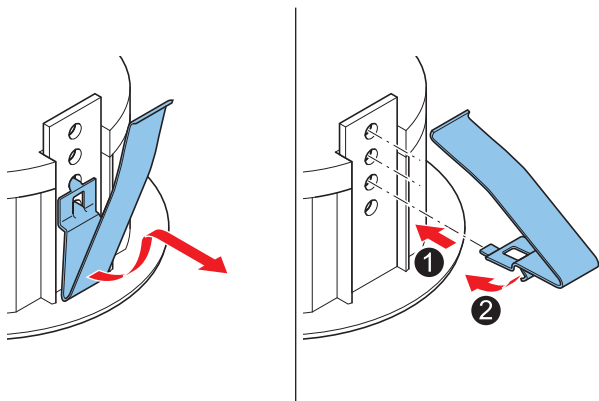


Fig. 7

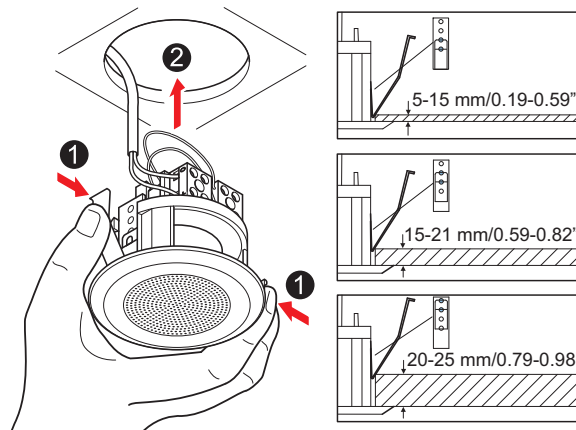


Fig. 8

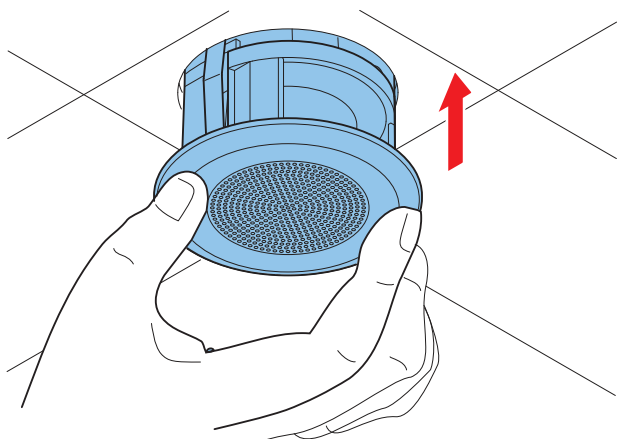


Fig. 9

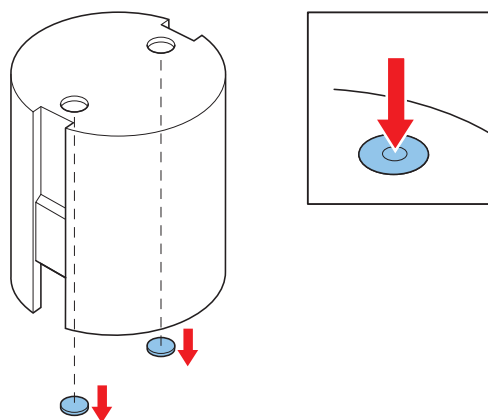


Fig. 10: Optional LC5-CBB

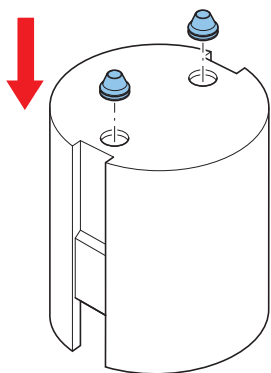


Fig. 11

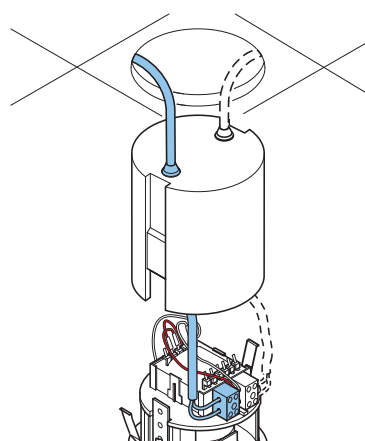


Fig. 12

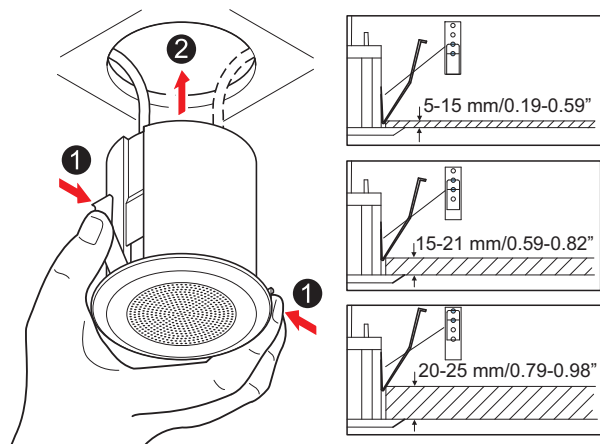


Fig. 13

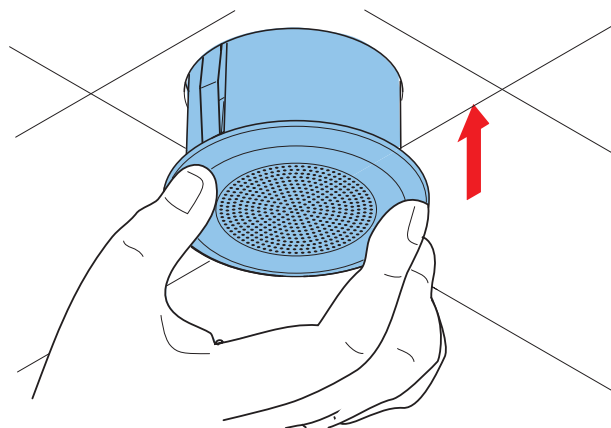


Fig. 14

2 Technical data

Electrical*

	LC5-WC06E4
Description	Ceiling Loudspeaker
Maximum power	9 W
Rated power	6 W (6/3/1.5/0.75W)
Sound pressure level at 6 W power / 1 W (1 kHz, 1 m)	90 dB / 82 dB (SPL)
Opening angle at 1 kHz / 4kHz (-6 dB)	180° / 180°
Effective frequency range (-10 dB)	85 Hz to 20 kHz
Rated voltage	6.93 / 70 / 100 V
Rated impedance	8 / 835 / 1667 Ohm
Electrical connection	2x two-way screw terminal block
Acceptable wire gauge	0.5 – 2 mm

* Technical performance according to IEC 60268-5

Mechanical

	LC5-WC06E4
Description	Ceiling Loudspeaker
Diameter	88 mm (3.46 in)
Mounting cut-out	76 mm (2.99 in)
Min./Max. ceiling thickness	5 to 25 mm (0.19 to 0.98 in)
Maximum depth	78 mm (3.07 in)
Material	ABS (V 0)
Weight	395 g (0.87lb)
Color	White (RAL 9003)

	LC5-CBB
Description	Back-Box
Diameter	75 mm (2.95 in)
Maximum depth	83.5 mm (3.29 in)
Material	ABS (V 0)
Weight	41 g (0.09 lb)
Color	White (RAL 9003)

Environmental

Operating temperature	-25 °C to +55 °C (-13 °F to +131 °F)
Storage temperature	-40 °C to +70 °C (-40 °F to +158 °F)
Relative humidity	<95%

2.1

Certification and Approvals

Safety	According to EN 60065
Water and dust protected*	According to EN 60529 IP 44
Emergency*	According to EN 54-24 Compliant to BS 5839 part 8
Salt mist*	According to IEC 60068-2-11
Chlorine resistant*	According to IEC 60068-2-60

* With LC5-CBB back-box.



Figure 2.1:

2.2 Additional technical data

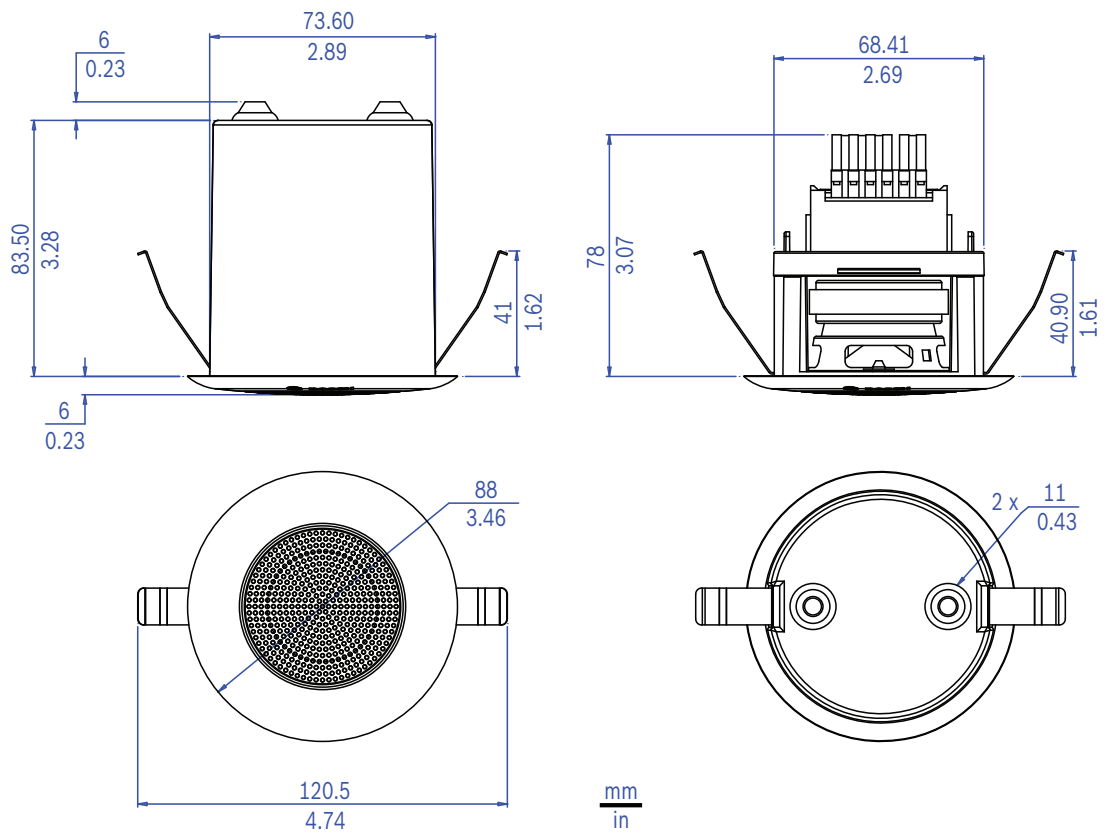


Figure 2.2: Dimensions: LC5-WC06E4 and LC5-CBB

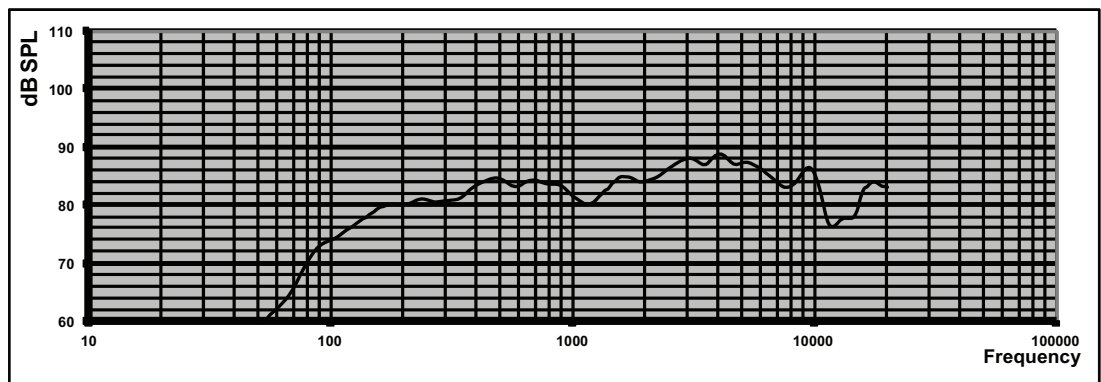


Figure 2.3: Frequency response

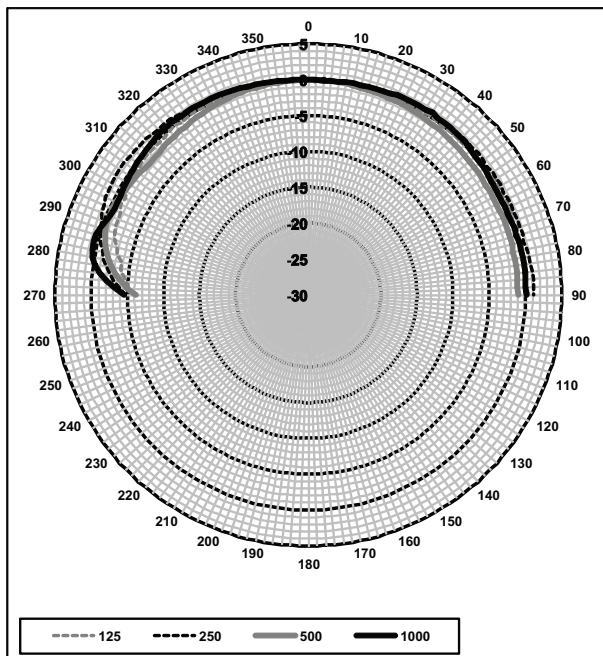


Figure 2.4: Horizontal/vertical polar diagram (low frequency). Normalized at 0-degrees axis.

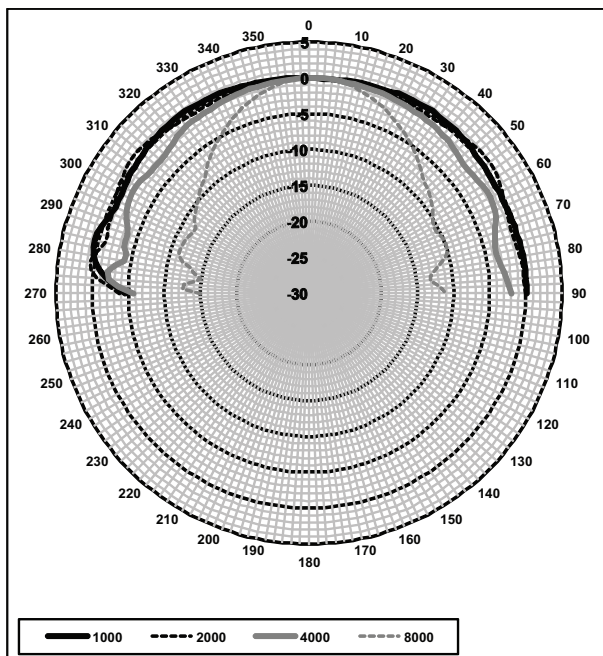


Figure 2.5: Horizontal/vertical polar diagram (high frequency). Normalized at 0-degrees axis. (all measurements are done with a pink noise signal; the values are in dB SPL)

Bosch Security Systems B.V.

Torenallee 49

5617 BA Eindhoven

The Netherlands

www.boschsecurity.com

© Bosch Security Systems B.V., 2014