

CLUX-4

1x4 HDMI 1.3 with Multi-channels Splitter

Operation Manual



CLUX-4

TABLE OF CONTENTS

1. Introduction	1
2. Features	1
3. Operation Controls and Functions	2
3.1 Front Panel.....	2
3.2 Rear Panel.....	3
4. Connection and Installation	4
5. Specifications	4

1. Introduction

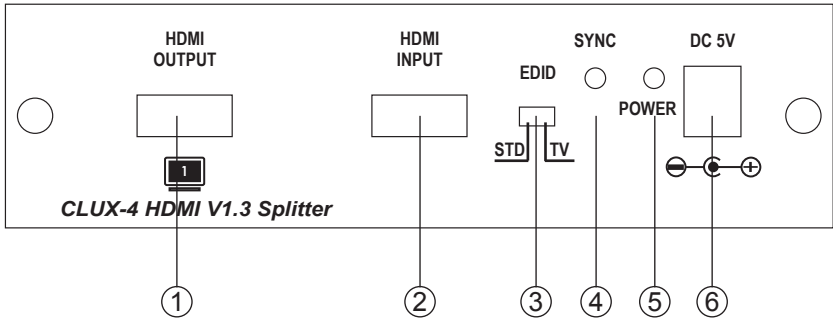
The HDMI v1.3 Distribution Amplifier Series is the most advanced solution to HDMI signal distribution. Each product in this series is compatible with HDMI v1.3 specifications, a cutting-edge technology which defines the supports to transfer Deep Color (10-bit and 12-bit) video and new lossless compressed (Dolby TrueHD, Dolby Digital Plus and DTS-HD Master Audio) digital audio, with a high bandwidth up to 225MHz (6.75Gbps). Besides splitting and distributing, the HDMI v1.3 DA series also amplifies signal, provides high performance I/O of audio and video.

2. Features

- HDMI 1.3, HDCP1.1 and DVI1.0 compliant.
- Deep color video up to 12bit, 1080p@(24/60)Hz.
- One HDMI source connect up to four HDMI displays simultaneously.
- HDCP keysets allows each output to work independently when connected to a HDMI display.
- Splits a HDMI source up to four outputs without signal loss.
- Supports DVI source and DVI display by using HDMI to/from DVI adaptor cable.
- Dolby Digital Plus, DTS digital audio transmission (32-192 kHz Fs sample rate).
- Supports a wide range of PC and HDTV resolutions from VGA to UXGA and 480i to 1080p.
- HDMI cable distance test with 1080p/8bits resolution the, Input/Output can run up to15/15 meters. With 1080p/12bits the Input/Output can run up to 10/15 meters.
- Selects EDID from TV mode or STD mode (this splitter).
- Supports CEC bypass.

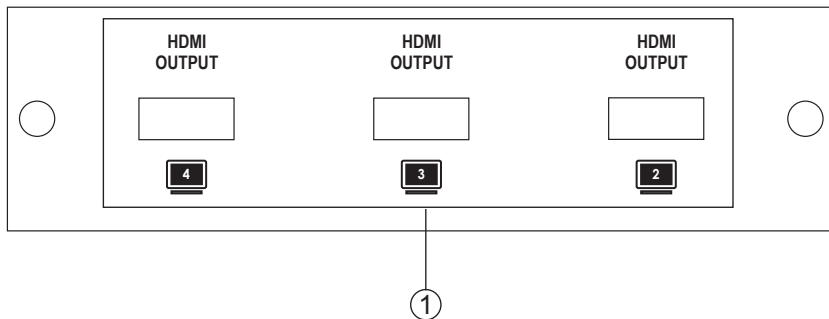
3. Operation Controls and Functions

3.1 Front Panel



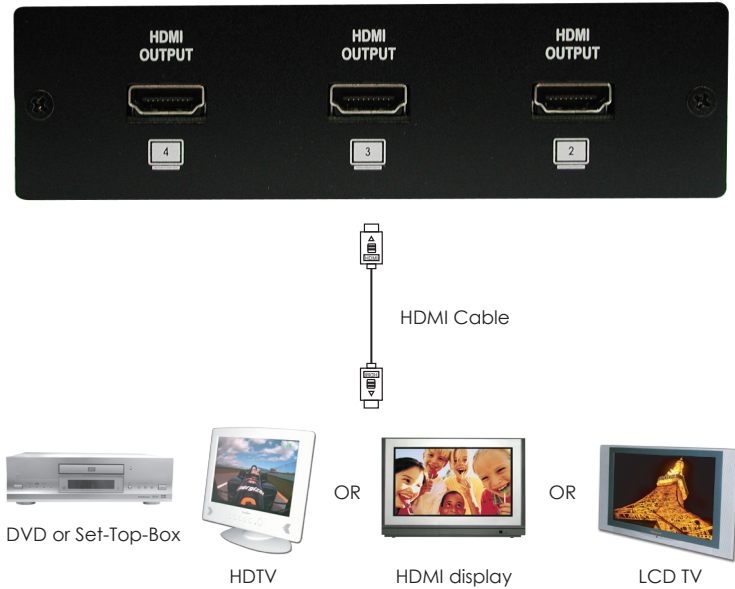
- ① HDMI Output 1: Connect output port to the HDMI display.
When more than one output connected, the HDMI outputs play identical video signal simultaneously.
- ② HDMI Input: Connect input port to the HDMI or DVI output of your source equipment such as DVD player or set-top-box.
- ③ EDID Control switch: Default factory setting is TV, leave as is if the display is properly. Switch to STD to use built-in EDID if the display has problems. When the EDID control switch in TV selection, the unit will detect the first HDMI output source's EDID and record in the unit. If the first detected output source is DVI it will pass to next source, until the first HDMI been detected
- ④ Sync LED: The LED will illuminate when the HDMI source signal is connected to the input port.
- ⑤ Power LED Indicator: The LED will illuminate when the power is connected.
- ⑥ Power: Plug the 5V DC power supply into the splitter and connect the adaptor to AC wall outlet.

3.2 Rear Panel



- ① HDMI Outputs 2/3/4: Connect each of the output ports to the HDMI display. When more than one output connected, the HDMI outputs play identical video signal simultaneously.

4. Connection and Installation



5. Specifications

Frequency Bandwidth	2.25Gbps (single link)
Input Port	1 x HDMI female port (Type A connector)
Output Ports	4 x HDMI female ports (Type A connector)
Power Supply	5VDC/2.6A (US/EU standards, CE/FCC/UL certified), center positive
Dimensions(mm)	102(W) x 141 (D) x 38(H)
Weight(g)	550
Chassis Material	Metal
Silkscreen Color	Black
Operating Temperature	0°C ~ 40°C



CYPRESS TECHNOLOGY CO., LTD.
Home page: <http://www.cypress.com.tw>

20080403 MPM-CLUX4