

CLUX-4M

1x4 HDMI Multi-channel Splitter

Operation Manual



CLUX-4M

Revision History

Version No	Date	Summary of Change
V1	20081110	Preliminary Release
V2	20090430	EDID Rephrase
VS3	20121226	Removed HDMI Version Number

Precautions

Failure to follow the precautions described below may cause damage to multi channel splitter and void the warranty.

- DO NOT open the case. Doing so will void the warranty. If you find problem with it, please return back to your retailer or seller who will assist you or provide you with solution.
- DO NOT use third-Party AC adapter or power cord. Doing so may damage multi channel splitter.
- DO NOT bump, jar or drop contents of the products as it may damage it and result in warranty void.
- DO NOT set any liquids or beverages on the drive as they may damage multi channel splitter.

Table of Contents

1. Introduction.....	1
2. Applications.....	1
3. Package Contents.....	1
4. System Requirements.....	1
5. Features.....	2
6. Operation Controls and Functions.....	3
6.1 Front Panel	3
6.2 Rear Panel	4
7. Connection and Installation.....	4
8. Specifications.....	5

1. Introduction

The 1 by 4 HDMI Multi-channel Splitter is the most advanced solution to HDMI signal distribution. It supports to transfer Deep Color (10-bit and 12-bit) video and new lossless compressed (Dolby TrueHD, Dolby Digital Plus and DTS-HD Master Audio) digital audio, with a high bandwidth up to 225MHz (6.75Gbps). Besides splitting and distributing, the splitter also does signal amplification and equalization, so as to provide high performance I/O of audio and video.

2. Applications

- Project presentation
- Showroom display
- Advertising display control

3. Package Contents

- 1 by 4 HDMI Multi-channel Splitter
- 5V DC power supply adaptor
- Operation Manual

4. System Requirements

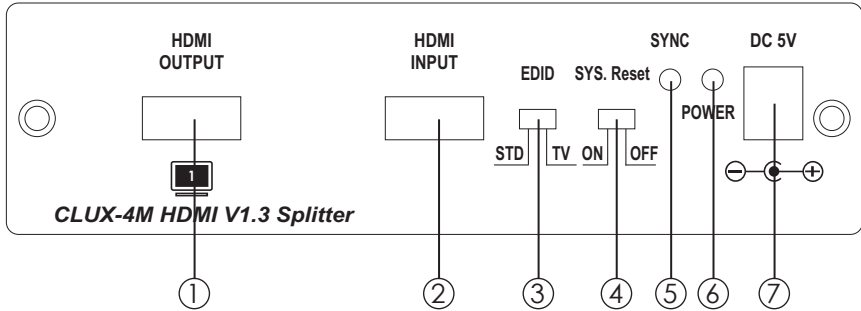
HDMI equipped source equipment, HDMI equipped displays (TVs or monitors), and HDMI cables or DVI to HDM cables.

5. Features

- HDMI, HDCP1.1 and DVI1.0 compliant.
- Deep color support up to 12-bit, 1080p@24/60 Hz.
- One HDMI source to be connected to up to Four HDMI displays simultaneously.
- HDCP keysets allow each output to work independently when connecting to an HDMI display.
- Splits one HDMI source up to eight outputs without signal loss.
- Supports DVI source and DVI display by using HDMI to/from DVI adaptor cable.
- Supports LPCM 7.1CH, Dolby TrueHD, Dolby Digital Plus and DTS-HD Master Audio transmission (32-192 kHz Fs sample rate).
- Supports a wide range of PC and HDTV resolutions from VGA to UXGA and 480i to 1080p.
- HDMI cable distance test with 1080p/8bits resolution the, Input/ Output source can run up to 15/15 meters. If 1080p/12bits the Input/ Output source can run up to 10/15 meters. HDMI cable length support 15 meters at 1080p/8-bit resolution and 10 meters at 1080p/12-bit.
- Can selected EDID source from TV or this splitter.
- Supports CEC bypass.
- Supports xvYCC.
- Supports System Reset function.

6. Operation Controls and Functions

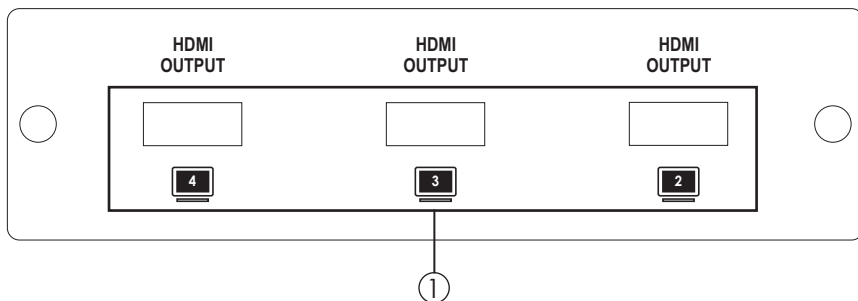
6.1 Front Panel



- ① HDMI OUTPUT 1: Connect each of the output ports to an HDMI display. When more than one output source is connected, an identical video signal will be shown on the connected displays.
- ② HDMI INPUT: Connect the input port with the HDMI or DVI output of your source such as a DVD/Blu-Ray player or Set Top Box.
- ③ EDID: The default factory is set to TV, please leave as is when the displays are working properly. Switch to STD to use the built-in EDID, for more information see Note.
- ④ SYS. Reset: The factory default is "OFF". When switched "ON" the system will send an internal CEC to the display within 8~10 minutes in order to force all the displays to switch to HDMI port 1. At the same time, the TV must also support CEC functions so that it can properly display content. When switched "OFF" the system will turn off.
- ⑤ SYNC LED: The LED will illuminate when the HDMI source signal is connected to the input port.
- ⑥ POWER LED: The LED will illuminate when the power is connected.
- ⑦ DC 5V: Plug the 5V DC power supply into the splitter and connect the adaptor to AC wall outlet.

- Note:**
1. When EDID is on TV: Leave as is if the display is working properly, the unit will detect the first HDMI output source's EDID and record into the unit. If the first detected output source is DVI it will pass to the next source, until the first HDMI source has been detected. The detection priority is HDMI v1.3>HDMI v1.2 >DVI.
 2. When EDID is on STD: The unit will use its built-in EDID
 3. Your EDID selection will only be activated when the unit is unplugged and power is on.

6.2 Rear Panel



- ① HDMI OUTPUT 2/3/4: Connect each of the output ports to an HDMI display. When more than one output source is connected, an identical video signal will be shown on the connected displays.

7. Connection and Installation



8. Specifications

Input Port	1 x HDMI
Output Ports	4 x HDMI
Power Supply	5V/1A DC (US/EU standards, CE/FCC/UL certified)
Dimensions	206 mm (W) x 111 mm (D) x 32 mm (H)
Weight	248 g
Chassis Material	Plastic
Silkscreen Color	Black
Operating Temperature	0°C ~ 40°C



CYPRESS TECHNOLOGY CO., LTD.
Home page: <http://www.cypress.com.tw>

20081120 MPM-CLUX4M