

Features

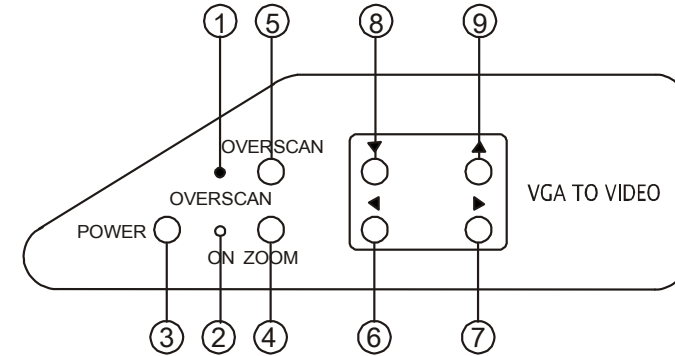
- ▶ It converts three VGA mode-1024* 768, 800* 600, 640* 480 into NTSC or PAL video.
- ▶ Plug - and - play design, no software drive required.
- ▶ Cross-platform compatibility for PC, Macintosh and Note book.
- ▶ Zoom & Pan.
- ▶ Vertical and horizontal oversacn/underscan control.
- ▶ Simultaneous display on PC and TV monitor.
- ▶ Composite, S-Video (S-VHS or Hi-8) output.
- ▶ Automatically supports scan rate from 50 Hz up to 100 Hz.
- ▶ Palm size, ideal for hand held.

Applications

- Enjoy PC games, PC movies and Internet on TV.
- Education and business presentation.

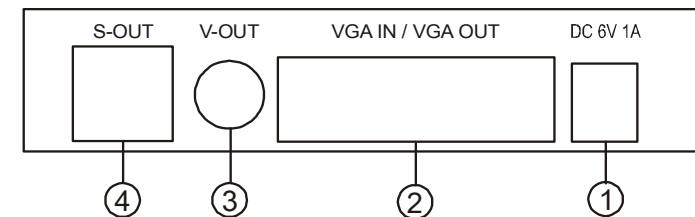
Operation Controls and functions

Top panel



- 1. Standby Indicator:** The indicator will light when in standby mode.
- 2. ON Indicator:** The indicator will light when in power ON mode.
- 3. Power Button:** Push the button to turn power ON or OFF.
- 4. Zoom Button:** Push the button to zoom the picture.
- 5. Overscan Button:** Push the button to overscan /underscan the picture.
- 6. ◀ Button:** Push the button to pan the picture left.
- 7. ▶ Button:** Push the button to pan the picture right.
- 8. ▼ Button:** Push the button to pan the picture down.
- 9. ▲ Button:** Push the button to pan the picture up.

Side Panel



1. DC Power supply 6V input.
2. VGA IN and VGA OUT.
3. Video out -RCA jack.
4. S-Video out.

Specifications

Input signal: VGA, Macintosh or Note book

Horizontal frequency: 24 KHz-48 KHz

Vertical frequency: 50 Hz-100 Hz

Output signal: Composite video, S-Video (NTSC or PAL preset during manufacturing), VGA loop-thru output.

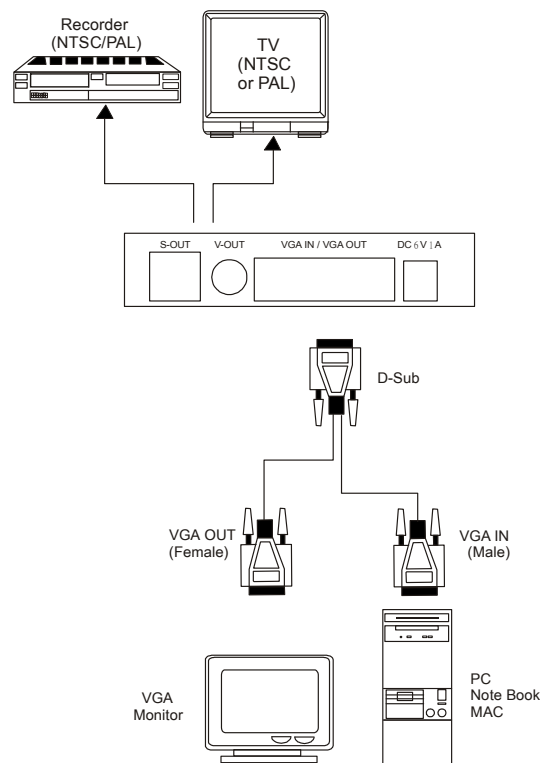
Power supply: DC 6V 1A

Dimension: 145 (D) X 90 (W) X 33 (H) mm

Accessory: AC Adaptor, One set of video cable, One set of D-SUB cable.

Weigh: 200g

Connection and Installation



PC to Video Converter

Operation Manual