



Technische Informationen
Engineering Data Sheet

PowerSub 112

1 x 12"
Powered Subwoofer

Features:

- 12" Active Subwoofer
- 121 dB Max. SPL
- 400 W Class-D Amplifier
- Line In, Line Thru
- MID/HIGH Output with 120 Hz X-Over
- Master Level Control with Limit Indicator
- Phase switch 0°/180° with Phase Indicator



Wir weisen ausdrücklich darauf hin, dass bei gehängten Lautsprecherboxen die einschlägigen Sicherheitsbestimmungen zu beachten sind. Es muss unbedingt qualifizierte Fachberatung in Anspruch genommen werden!

We expressly point out that the relevant safety regulations must be observed for "flying" loudspeaker systems. It is imperative that qualified expert advice is sought.

WARNING:

**THIS LOUDSPEAKER SYSTEM CAN PERMANENTLY DAMAGE HEARING!
USE EXTREME CARE WHEN SETTING SOUND PRESSURE LEVELS!**

DANGER:

CONSULT A CERTIFIED STRUCTURAL ENGINEER BEFORE ANY ATTEMPT TO SUSPEND THIS LOUDSPEAKER! LOUDSPEAKER CAN FALL FROM IMPROPER SUSPENSION, RESULTING IN SEVERE INJURY AND DAMAGE OF PROPERTY. DO NOT SUSPEND OR MOUNT ANY OTHER PRODUCT OR DEVICE FROM THIS LOUDSPEAKER ENCLOSURE! USE GRADE 5 HARDWARE OR BETTER ONLY!

	PS 112
Order No.	F01U1615025 (D113317)
Cabinet	Powered Subwoofer 1 x 12"
Maximum Amplifier Output Capability	400 Watts
Amplifier Power RMS	200 Watts
Max. SPL 1m / calc.	121 dB
Frequency Range (-10 dB)	40 Hz to 130 Hz
X-Over Frequency	120 Hz
Sub Transducer	1 x EVS12SB
Switchable Phase (Polarity)	0°, 180°
Power Requirement	220 to 240 V AC, 50 to 60 Hz, 0.5 A
Operating Temperature Range	0°C to 40°C
Dimensions (W x H x D)	445 mm x 380 mm x 445 mm (17.52" x 14.961" x 17.519")
Net Weight	20 kg
Shipping Weight	23 kg
Enclosure material	Multi-ply wood, MDF
Finish	Black
Grille	Powder coated steel, Acoustic foam
Warranty	36 months
Optional Accessories	
Dust Cover SH-Sub112	F01U119033
PCL880	F01U100601
VPM 1500	F01U141047
Spare Parts	
Mains Cord	F01U108377 (D368217)
Sub Transducer	F01U107556

Beschreibung

Der PowerSub 112 ist eine ideale Basserweiterung für aktive Fullrange-Kabinette wie z. B. die D 8A. Er ist sehr leicht und bietet trotz seiner äußerst kompakten Abmessungen ein sehr kräftiges und tief hinabreichendes Bassfundament. Das Class-D Endstufenmodul liefert 200 W RMS bzw. 400 W Maximum Amplifier Output Capability und hat eine integrierte Frequenzweiche mit einem Mid/Hi-Ausgang. Die Polarität kann umgeschaltet werden, sofern andere System-komponenten dies erfordern.

Description

The PowerSub 112 is great for enhancing the low frequency response of active fullrange speakers like the D 8A. Despite its light weight and compact dimensions the subwoofer still produces a very powerful bass line even at very low frequencies. The 200 W RMS or 400 W Maximum Amplifier Output Capability class D technology amplifier modul has an integrated crossover with mid/hi output. The signal polarity can also be switched if necessary.

Illustration 1: Dimensions

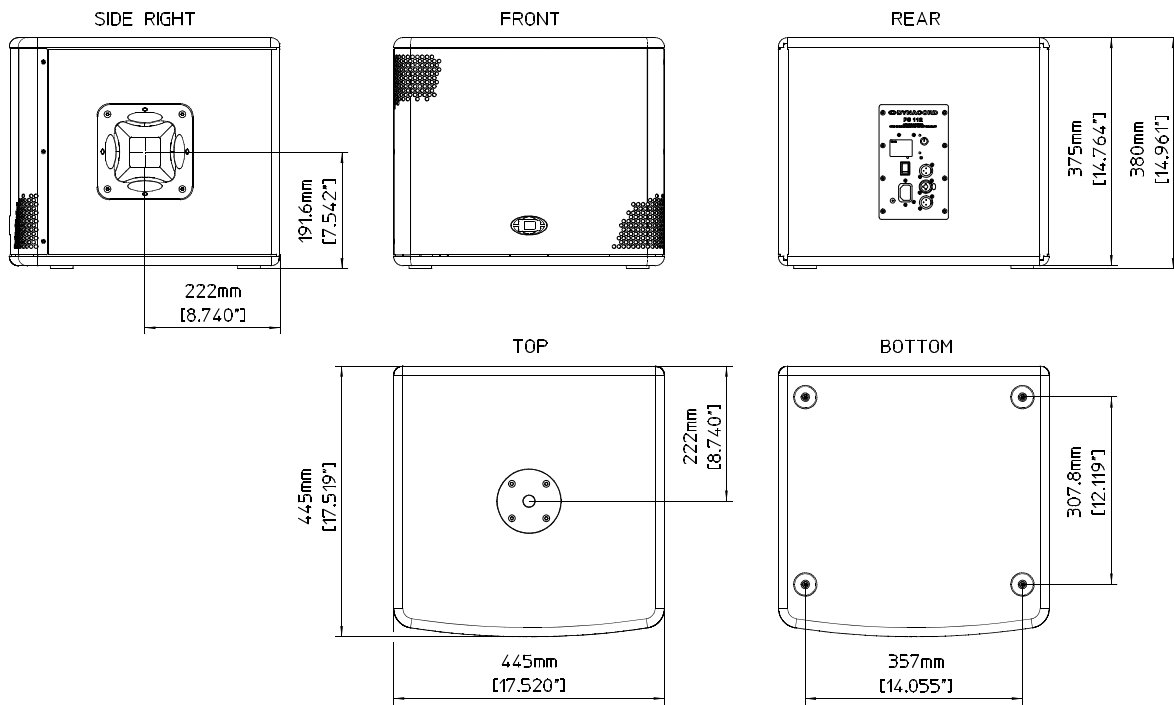


Illustration 2: Frequency Response

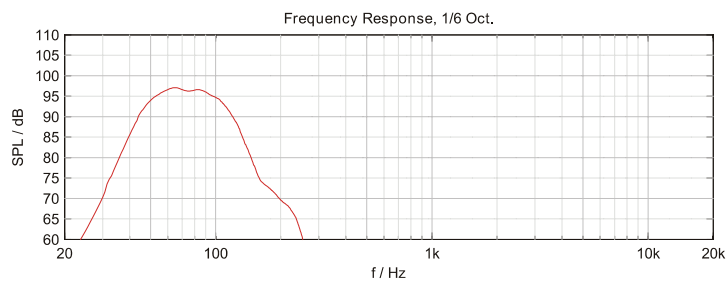
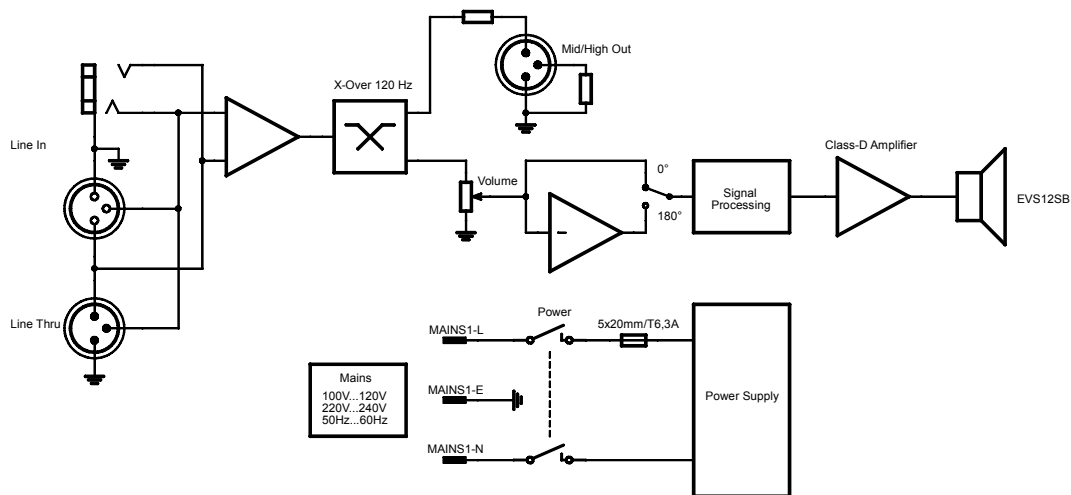


Illustration 3: Block diagram



12000 Portland Avenue South, Burnsville, MN 55337, USA
 Phone: +1 952/844-4051, Fax: +1 952/884-0043

www.dynacord.com

© Bosch Communications Systems 09/2010
Part Number F01U161502 Vs 01

Europe, Africa, and Middle East only. For customer orders, contact Customer Service at: **+49 9421-706 0 Fax: +49 9421-706 265**

Asia & Pacific only. For customer orders, contact Customer Service at: **+65 6571 2534 Fax: +65 6571 2699**

For technical assistance, contact Technical Support at: **+49 9421-706 0**

Specifications subject to change without notice.