



SOUND SOLUTIONS



# HIFI PREMIUM PERFORMANCE CEILING MOUNT SUSPENDED TWEETER SYSTEM

## MICRO-FLANGE

Modern low profile flange design that's unobtrusive and slim line that will suit traditional and modern decor's seamlessly.

## SUSPENDED TWEETER SYSTEM

High quality 1" Silk dome ferro fluid cooled neodymium magnet tweeter for beautiful sound high end response, mounted independently and suspended from the woofer to ensure the tweeter and woofer work in perfect harmony.

## HI-END WOOFER CONSTRUCTION

Cone construction is made from black woven fibre-glass material designed and constructed to be light but rigid for excellently controlled tight bass with live natural sound. Mounted in an anodized metal basket with butyl rubber surround for long exertion high SPL efficiency, low resonance and long life durability.

## CROSS-OVER NETWORK

Engineered using high quality components designed to perfectly match the tweeter and woofer for exceptional sound reproduction. 12dB/Octave with adjustable 0dB / 3dB / 6dB Tweeter level adjustment.



## SERIES MODELS



**BE HEARD**  
SEND YOUR MESSAGE  
LOUD & CLEAR

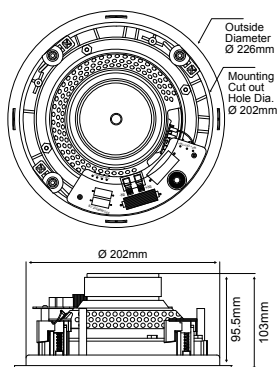


## 6 1/2" ADS65M50

### MICRO-FLANGED STYLE.

25mm aluminium voice coil. Black fibre-glass cone Inverted dust cap. Butyl rubber surround Anodized metal basket. 25mm Silk dome tweeter with Ferro fluid cooled Neodymium magnet. 8Ω Input, 12dB/Octave cross-over. Push Terminals. High Sensitivity 90dB/1W. Easy Swivel clamp mounting.

Code	ADS65M50
Size	6 1/2"
Freq.	61HZ-20KHZ
Input	8Ω
Pmax	100W
Prms	50W
Sens.	89dB
Packaging	Pair

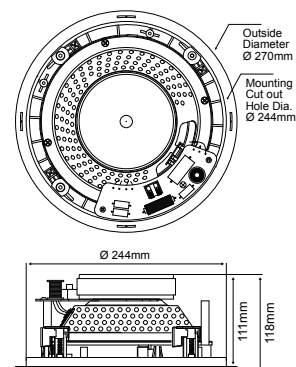


## 8" ADS8M80

### MICRO-FLANGED STYLE.

35mm aluminium voice coil. Black fibre-glass cone Inverted dust cap. Butyl rubber surround Anodized metal basket. 25mm Silk dome tweeter with Ferro fluid cooled Neodymium magnet. 8Ω Input, 12dB/Octave cross-over. Push Terminals. High Sensitivity 90dB/1W. Easy Swivel clamp mounting.

Code	ADS8M80
Size	8"
Freq.	40HZ-20KHZ
Input	8Ω
Pmax	160W
Prms	80W
Sens.	90dB
Packaging	Pair



# HIFI HIGH PERFORMANCE CEILING MOUNT FAST INSTALLATION

## RAPID INSTALLATION SYSTEM !

Unique Push-To-Release spring loaded auto mounting clamps. Spiral fastener auto-fits ceiling depth 10-25mm. Use the 1/4" Allen Key (Included) for easy half-turn release of the clamp to remove the speaker. Time saving, simple, reliable and no-fuss mounting process.

## MICRO-FLANGE

Modern low profile flange design that's unobtrusive and slim line that will suit traditional and modern decor's seamlessly.

## TILT COAXIAL TWEETER

High quality 1" Silk dome ferro fluid cooled neodymium magnet tweeter for beautiful sound high end response. Tweeter can be tilted to give directionality to sound and an attenuator switch for softening presence and flawless sound.

## HI-END WOOFER CONSTRUCTION

Cone construction is made from woven Kevlar material designed for premium sound quality audio & warm bass. Mounted in an anodised metal basket with butyl rubber surround for long exertion high SPL efficiency, low resonance and long life durability.

## CROSS-OVER NETWORK

Engineered using high quality components designed to perfectly match the tweeter and woofer for exceptional sound reproduction. 12dB/Octave with adjustable 0dB / 3dB / 6dB Tweeter level adjustment.



**RAPID INSTALL SYSTEM**  
8 SECOND INSTALLATION.  
SEE PAGE 8 FOR DETAILS

## SERIES MODELS

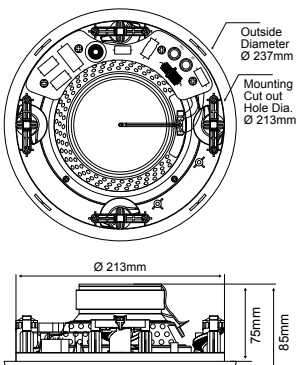


**6½"** ADS65F40

### FAST INSTALL

Rapid Push-Release mounting system. 25mm Silk dome tweeter with tilt adjust with high range attenuator switch 12dB/Octave electronic crossover. Yellow woven Kevlar mid-woofer 6½". Long-life Butyl Rubber roll surround. Aluminium high temp' voice coil. Anodised steel frame back grille.

Code	ADS65F40
Size	6½"
Freq.	55HZ-20KHZ
Input	8Ω
Pmax	80W
Prms	40W
Sens.	87dB
Packaging	Pair

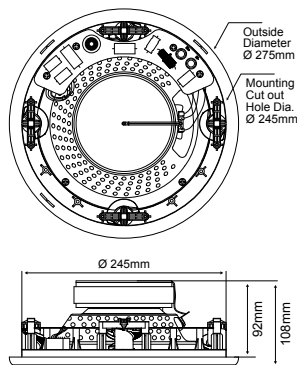


**8"** ADS8F80

### FAST INSTALL

Rapid Push-Release mounting system. 25mm Silk dome tweeter with tilt adjust with high range attenuator switch 12dB/Octave electronic crossover. Yellow woven Kevlar mid-woofer 8". Long-life Butyl Rubber roll surround. Aluminium high temp' voice coil. Anodised steel frame back grille.

Code	ADS8F80
Size	8"
Freq.	53HZ-20KHZ
Input	8Ω
Pmax	160W
Prms	80W
Sens.	90dB
Packaging	Pair

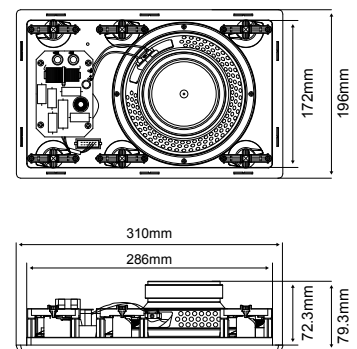


**6½"** ADS365F40

### FAST INSTALL

Rapid Push-Release mounting system. Independent 25mm Silk dome tweeter with tilt adjust with high range attenuator switch 12dB/Octave electronic crossover. Yellow woven Kevlar mid-woofer 8". Long-life Butyl Rubber roll surround. Aluminium high temp' voice coil. Anodised steel frame back grille.

Code	ADS365F40
Size	6½"
Freq.	55HZ-20KHZ
Input	8Ω
Pmax	80W
Prms	40W
Sens.	87dB
Packaging	Pair



# HIGH PERFORMANCE CEILING MOUNT HIFI 2-WAY COAXIAL

## SAFETY PLASTIC

Constructed from Fire retardant plastics to UL-8540T.

## TILT COAXIAL TWEETER

High quality titanium tweeter for beautiful sound and high end response. Tweeter can be tilted to give directionality to sound and an attenuator switch for softening presence and flawless sound.

## HI-END WOOFER CONSTRUCTION

Cone construction is made from woven Kevlar material designed for premium sound quality audio & warm bass. Mounted in an anodized metal basket with butyl rubber surround for long exertion high SPL efficiency, low resonance and long life durability.

## CROSS-OVER NETWORK

Engineered using high quality components designed to perfectly match the tweeter and woofer for exceptional sound reproduction.



## SERIES MODELS

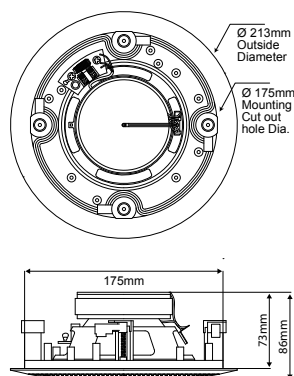


**5 1/4" ADS2550**

### KEVLAR & TITANIUM

High performance Audiophile grade. 2-Way coaxial w/ PTC overdrive protected titanium coated tweeter. Kevlar Mid-Woofer. Spring terminals.

Code	ADS2550
Size	5 1/4"
Input	8Ω
Pmax	100W
Prms	50W
Freq.	70Hz-20Khz
Sens.	88dB
Packaging	Pair

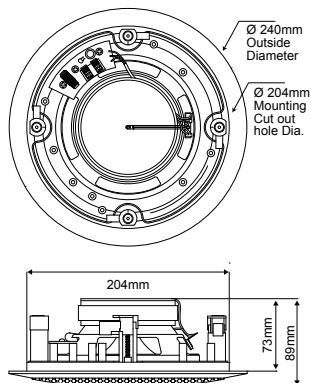


**6 1/2" ADS2660**

### KEVLAR & TITANIUM

High performance Audiophile grade. 2-Way coaxial w/ PTC overdrive protected titanium coated tweeter. Kevlar Mid-Woofer. Spring terminals.

Code	ADS2660
Size	6 1/2"
Input	8Ω
Pmax	120W
Prms	60W
Freq.	60Hz-20KHz
Sens.	89dB
Packaging	Pair

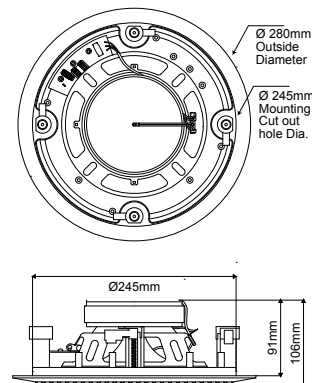


**8" ADS2880**

### KEVLAR & TITANIUM

High performance Audiophile grade. 2-Way coaxial w/ PTC overdrive protected titanium coated tweeter. Kevlar Mid-Woofer. Spring terminals.

Code	ADS2880
Size	8"
Input	8Ω
Pmax	160W
Prms	80W
Freq.	50Hz-20KHz
Sens.	92dB
Packaging	Pair

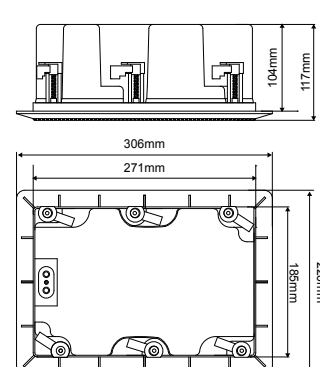


**6 1/2" ADS3660**

### KEVLAR & TITANIUM

Sealed back box Audiophile grade. Coaxial 2-Way PTC Overdrive protected titanium coated tweeter. Kevlar Mid-Woofer. Spring terminals.

Code	ADS3660
Size	6 1/2"
Input	8Ω
Pmax	120W
Prms	60W
Freq.	45Hz-20KHz
Sens.	87dB
Packaging	Pair



# 100V-LINE CEILING & WALL MOUNT SPEAKERS

## ENCLOSED CABINET / SEISMIC CABLE

Sealed cabinet design protects speaker back, no dirt, no dust and no vermin. Gives better bass and reduce cavity vibration with Attachment point for seismic cable (safety cable).

## SAFETY PLASTIC

Constructed from Fire retardant plastics to UL-8540T.

## TILT COAXIAL TWEETER

High quality Titanium tweeter for beautiful sound and high end response. Tweeter can be tilted to give directionality to sound and an attenuator switch for softening presence and flawless sound.

## HI-END WOOFER CONSTRUCTION

Cone construction is made from woven Kevlar material designed for premium sound quality audio & warm bass. Mounted in an anodized metal basket with butyl rubber surround for long exertion high SPL efficiency, low resonance and long life durability.

## CROSS-OVER NETWORK

Engineered using high quality components designed to perfectly match the tweeter and woofer for exceptional sound reproduction.



## SERIES MODELS

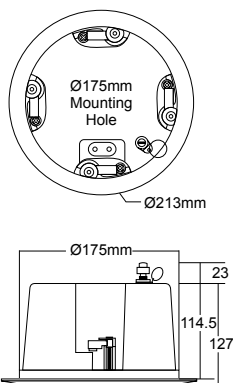


### 5 1/4" ADS1550

#### KEVLAR & TITANIUM

High performance Audiophile grade. 2-Way coaxial with PTC Overdrive protected titanium coated tweeter. 5 1/4" Kevlar Mid-Woofer. High Power, Long life and Hi-Fidelity. Input Options: 8 Ohm & 100V 6W / 3W / 1.5W Taps.

Code	ADS1550
Size	5 1/4"
Input	8Ω / 100V Taps 6W / 3W / 1.5W
Pmax	100W
Prms	50W
Freq.	70Hz-20Khz
Sens.	88dB
Packaging	Single

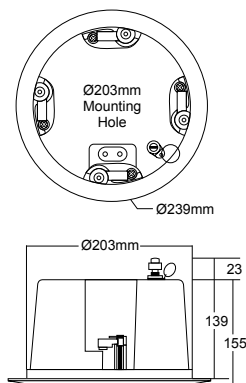


### 6 1/2" ADS1660

#### KEVLAR & TITANIUM

High Performance. PTC Protected titanium tweeter with adjustable tilt. Kevlar 6 1/2" Woofer Aluminium voice coil. High Power, Long life and Hi-Fidelity. Input Options: 8 Ohm & 100V 30W / 15W / 7.5W Taps.

Code	ADS1660
Size	6 1/2"
Input	8Ω / 100V Taps 30W / 15W / 7.5W
Pmax	120W
Prms	60W
Freq.	66Hz-20Khz
Sens.	88dB
Packaging	Single

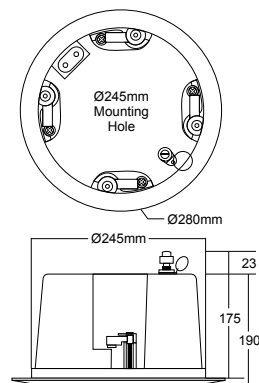


### 8" ADS1880

#### POLYPROPYLENE

High Performance. PTC Protected titanium tweeter with adjustable tilt. Kevlar 8" Woofer with aluminium voice coil. High Power, Long life and Hi-Fidelity. Input Options: 8 Ohm & 100V 50W / 25W / 12.5W Taps.

Code	ADS1880
Size	8"
Input	8Ω / 100V Taps 50W / 25W / 12.5W
Pmax	160W
Prms	80W
Freq.	50HZ-20KHZ
Sens.	90dB
Packaging	Single

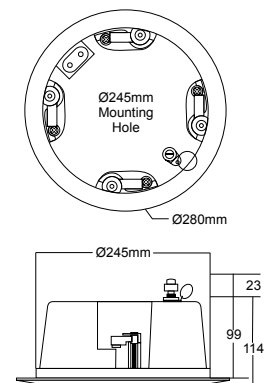


### 8" LOW PROFILE ADS1850

#### KEVLAR & TITANIUM

Suitable Small Ceiling cavity. 2-Way coaxial with Titanium Tweeter & Polypropylene 8" woofer for superior bass. Aluminium voice coil. High Power, Long life and Hi-Fidelity. Input Options: 8 Ohm & 100V 30W / 15W / 7.5W Taps.

Code	ADS1850
Size	8"
Input	8Ω / 100V Taps 30W / 15W / 7.5W
Pmax	100W
Prms	50W
Freq.	45HZ-20KHZ
Sens.	88dB
Packaging	Single



# HIFI RECTANGLE LCR CEILING / IN WALL SPEAKERS

Exceptional sound reproduction delivered from the 2-Way or 3-Way speaker systems for full spectrum audio experience. Perfectly matched crossover using high quality components to maintain signal clarity and definition with adjustable tweeter brightness control on front (3-Way model only). Ideal for home theatre applications for use as front stage Left / Centre / Right using an In-Wall configuration. Also suits high end multi-room audio applications.



5 1/4" 2-WAY 8 OHM



6 1/2" 3-WAY 8 OHM

SERIES MODELS



RE-LIVE IT  
HIGH FIDELITY SOUND  
REPRODUCTION

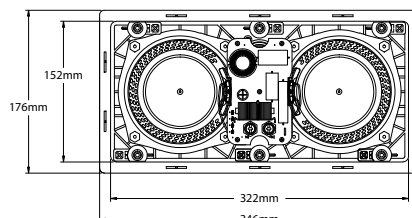
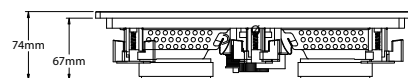
## 5 1/4" 2-WAY 8 OHM ADS528

Modern Micro Flange Style. High End Sound reproduction via twin Mid / Woofer configuration.

25mm Dynamic Silk Dome Neodymium Tweeter with two High Performance 5 1/4" Mid-Woofer's, perfectly matched crossover using high quality components maintains signal clarity and definition.

Ideal for home theatre applications for use as front stage Left / Centre / Right using an In-Wall or In-Ceiling configuration. Suitable for high end multi-room audio applications.

Code	ADS528
Input	8 Ohm
Pmax	80W
Prms	40W
Freq.	62Hz - 20KHz
Sens.	86 +/- 2 dB
Packaging	Pair



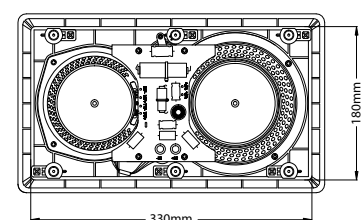
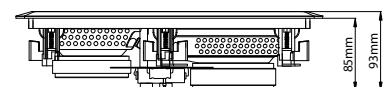
## 6 1/2" 3-WAY 8 OHM ADS658

Exceptional sound reproduction delivered from 3-Way System for full spectrum audio experience. Classic Flange Style.

25mm Dynamic Silk Dome Neodymium Tweeter. 1x 5 1/4" Mid-Range. 1x 6 1/2" Kevlar Woofer. Perfectly matched crossover using high quality components to maintain signal clarity and definition with adjustable tweeter brightness control on front.

High End solution for Home Theatre Left / Centre / Right front stage surround sound or in Multi-room audio. Mount In-Wall or In-Ceiling.

Code	ADS658
Input	8 Ohm
Pmax	160W
Prms	80W
Freq.	50Hz - 20KHz
Sens.	89 +/- 2 dB
Packaging	Pair



# ACCENTO 8 OHM / 100V SQUARE CEILING / IN-WALL

Modern Square frame Ceiling / In-Wall speaker will suit interiors where conventional round is not of choice. 8 Ohm Hi-Fi series featuring two way coaxial design, high performance Kevlar woofer, 18mm Silk Dome Tweeter matched together using a high quality cross-over with adjustable tweeter brightness. 100V PA series utilise a dual cone speaker driver. Available in multiple sizes and inputs.



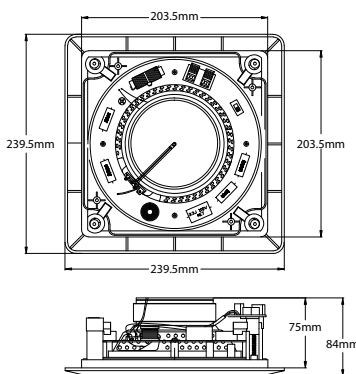
SERIES MODELS



### 6 1/2" 2-WAY HiFi ADS680

Hifi 8 OHM Input. 2-Way Coaxial System. Kevlar Mid-Woofer with high resolution tweeter for excellent sound reproduction.

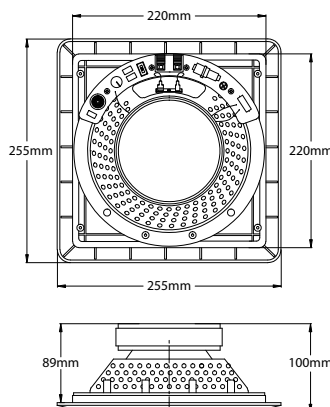
Code	ADS680
Size	6 1/2"
Input	8 Ohm
Pmax	100W
Prms	50W
Freq.	60Hz - 20KHz
Sens.	88 +/- 2 dB
Mount	Swivel Tabs
Packaging	Pair



### 8" 2-WAY HiFi ADS860

Hifi 8 OHM Input. 2-Way Coaxial System. Kevlar Mid-Woofer with high resolution tweeter for excellent sound reproduction.

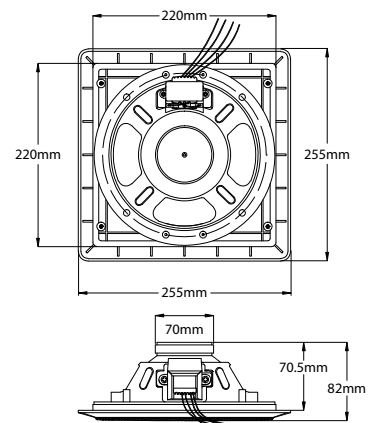
Code	ADS860
Size	8"
Input	8 Ohm
Pmax	120W
Prms	60W
Freq.	55Hz - 20KHz
Sens.	89 +/- 2 dB
Mount	Metal Bracket / Frame
Packaging	Pair



### 8" 100V PA - DUAL CONE ADS800

100V PA Dual Cone Speaker. Multiple TAP input options.

Code	ADS800
Size	8"
Input	100V
Taps	6W/3W/1.5W
Pmax	40W
Prms	20W
Freq.	90Hz - 20KHz
Sens.	90 +/- 2 dB
Mount	Metal Bracket / Frame
Packaging	Single



# 100V PA CEILING SPEAKER RAPID INSTALL

## RAPID INSTALLATION SYSTEM !

Unique Push-To-Release spring loaded auto mounting clamps. Spiral fastener auto-fits ceiling depth 10-25mm. Use the 1/4" Allen Key (Included) for easy half-turn release of the clamp to remove the speaker. Time saving, simple, reliable and no-fuss mounting process.

## 2-WAY COAXIAL SYSTEM

High quality 13mm PEI dynamic tweeter for enhanced high frequency response.

## APPLICATION

Suitable for most PA type applications, these drivers include a 100V Line transformer with voltage taps via bare wires for in-line type connection enabling multiple speaker setups. For 8 Ohm input, the transformer should be disconnected and the 8 Ohm input wired to the speaker directly

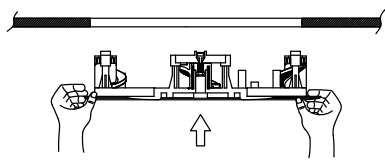


## SERIES MODELS

## RAPID INSTALL 8 SECOND INSTALLATION

1

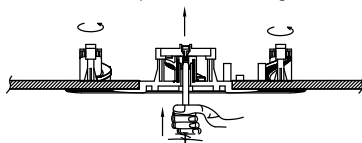
Insert Speaker into Installation Location



**Required ceiling thickness must be between 10mm ~ 25mm**

2

Use the thin side of the L shaped wrench to install the speaker. Simple push to release mounting tabs! Tabs will automatically release mount speaker to the ceiling.



Released Tabs Lock Speaker into Ceiling

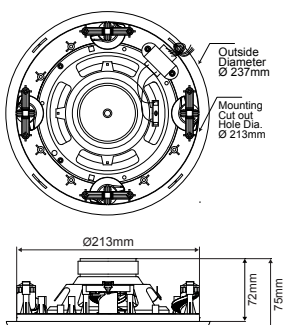


## 6 1/2" ADS65FT15

### FAST INSTALL

Rapid Push-Release mounting system Quick & easy Install in seconds ! 25mm Aluminium High Temp voice coil Paper pulp HiFi mid-woofer speaker. Durable doped cloth roll surround Centre pole mounted coaxial tweeter 13mm dynamic PEI tweeter.

Code	ADS65FT15
Size	6 1/2"
Input	8Ω / 100V Taps 15W / 10W / 6W / 3W / 1.5W
Freq.	80HZ-20KHZ
Pmax	30W
Prms	15W
Sens.	87dB
Packaging	Single

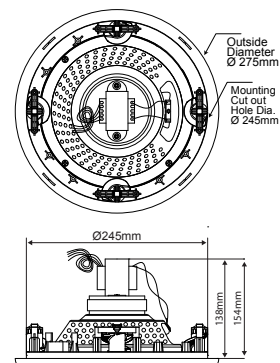


## 8" ADS8FT15

### FAST INSTALL

Rapid Push-Release mounting system Quick & easy Install in seconds ! 25mm Aluminium High Temp voice coil Paper pulp HiFi mid-woofer speaker. Durable doped cloth roll surround centre. Pole mounted coaxial tweeter 13mm dynamic PEI tweeter.

Code	ADS8FT15
Size	8"
Input	8Ω / 100V Taps 15W / 10W / 6W / 3W / 1.5W
Freq.	62HZ-20KHZ
Pmax	30W
Prms	15W
Sens.	87dB
Packaging	Single





# 100V PA CEILING SPEAKER DUAL-CONE METAL HOUSING

## METAL FRAME

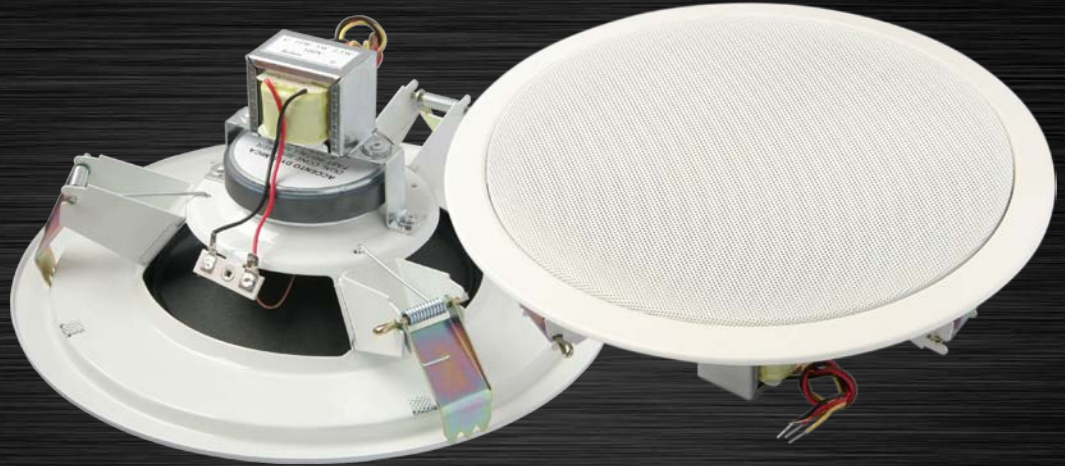
Excellent cost effective solution. Single piece stamped metal frame with a metal grille front fascia.

## DUAL-CONE SYSTEM

Paper pulp full range speaker cone. Whizzer cone for high end response.

## APPLICATION

Suitable for most PA type applications, these drivers include a 100V Line transformer with voltage taps via bare wires for in-line type connection enabling multiple speaker setups. For 8 Ohm input, the transformer should be disconnected and the 8 Ohm input wired to the speaker directly.



## SERIES MODELS

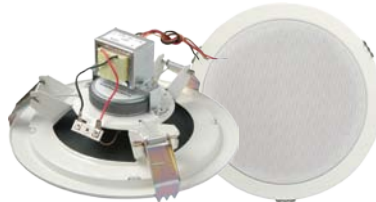
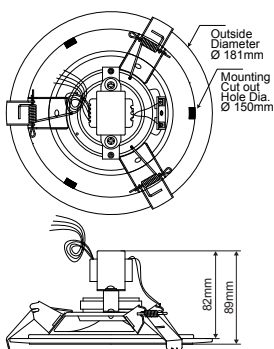


### 5 1/4" ADS525FT6

#### METAL FRAME

Compact general purpose PA speaker. Paper pulp cone wide range with whizzer cone for high end sound. Reliable metal construction Finger spring mount system. Built-in line transformer with 6W-3W-1.5W (8 Ohm) Taps.

Code	ADS525FT6
Size	5 1/4"
Input	8Ω / 100V Taps 6W / 3W / 1.5W
Freq.	186HZ-20KHZ
Pmax	12W
Prms	6W
Sens.	87dB
Packaging	Single

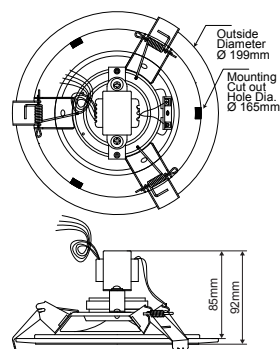


### 6 1/2" ADS65FT10

#### METAL FRAME

Compact general purpose PA speaker. Paper pulp cone wide range with whizzer cone for high end sound. Reliable metal construction Finger spring mount system. Built-in line transformer with 10W-5W-2.5W (8 Ohm) Taps.

Code	ADS65FT10
Size	6 1/2"
Input	8Ω / 100V Taps 10W / 5W / 2.5W
Freq.	178HZ-20KHZ
Pmax	20W
Prms	10W
Sens.	87dB
Packaging	Single

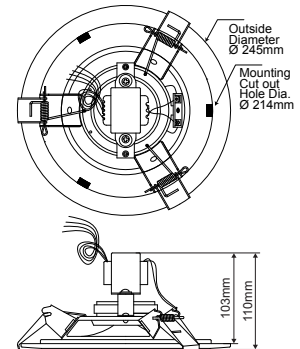


### 8" ADS8FT10

#### METAL FRAME

Compact general purpose PA speaker. Paper pulp cone wide range with whizzer cone for high end sound. Reliable metal construction Finger spring mount system. Built-in line transformer with 10W-5W-2.5W (8 Ohm) Taps.

Code	ADS8FT10
Size	8"
Input	8Ω / 100V Taps 10W / 5W / 2.5W
Freq.	90HZ-20KHZ
Pmax	20W
Prms	10W
Sens.	87dB
Packaging	Single



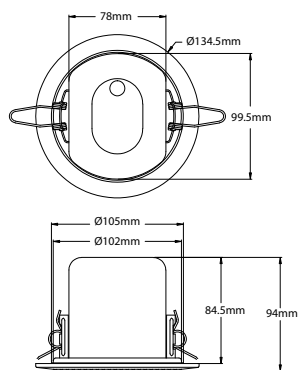
## 4" METAL ENCLOSED CEILING SPEAKER 100V



### METAL HOUSING. FAST INSTALL

Designed for 100V PA applications. Compact 4" ceiling speaker within an enclosed metal housing. Easy and Quick install with spring loaded tabs. Fits in  $\varnothing 105\text{mm}$  mounting hole.

Code	ADS400C
Input	100V
Taps	6W/3W/1.5W
Size	4"
Pmax	12W
Prms	6W
Freq.	86 +/- 2 dB
Sens.	130Hz - 20KHz
Dimensions	134x94mm
Packaging	Single



## COMPACT CUBE SPEAKER 8 OHM / 100V



### HIGH PERFORMANCE COMPACT SOUND

Accento cube speakers are ultra compact with a stylish design that will fit into any decor seamlessly and provide high performance sound reproduction. Two different models available depending on input required, 8 Ohm Hi-Fi or 100V PA. Available in two colours White or Black. Includes adjustable ball joint mounting bracket to position for best audio experience and seismic cable for safety. Cube size is 87x87x112mm.

#### 8 OHM HI-FI

Code	ADS320WH	ADS320BK
Colour	White	Black
Input	8 Ohm	8 Ohm
Pmax	20W	20W
Prms	10W	10W
Freq.	130Hz - 20KHz	130Hz - 20KHz
Sens.	80 +/- 2 dB	80 +/- 2 dB
Packaging	Pair	Pair

#### 100V PA

Code	ADS950WH	ADS950BK
Colour	White	Black
Input	100V	100V
Taps	1.5W/3W/6W	1.5W/3W/6W
Pmax	20W	20W
Prms	10W	10W
Freq.	130Hz - 20KHz	130Hz - 20KHz
Sens.	80 +/- 2 dB	80 +/- 2 dB
Packaging	Single	Single

REALIBILITY  
DELIVERING YOUR MESSAGE  
THE FIRST TIME & EVERY TIME



# 5" ACTIVE RCA LINE TWO-WAY SPEAKERS



## ACTIVE SPEAKERS

ADJUSTABLE VOLUME,  
BASS AND TREBLE.  
IR REMOTE CONTROL  
12V - 20V DC INPUT



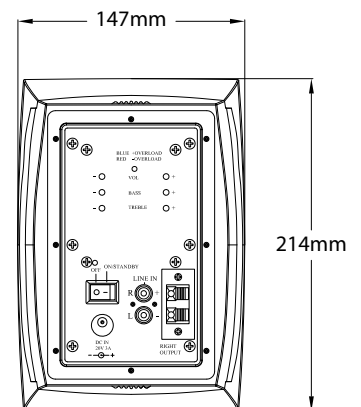
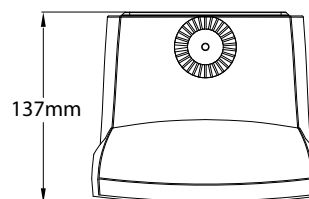
### SERIES MODELS

#### CONNECT ANY AUDIO MEDIA DEVICE FOR INSTANT LOUD SOUND

High Performance, Premium Sound and Flexibility. Connect any low-level line output device to these speaker via RCA input for instant loud speaker sound. Adjustable push button Volume, Bass and Treble controls on rear or wirelessly via the included Remote Control. Powerful 5" woofer & high resolution tweeter driven by the built in amplifier module for exceptional sound reproduction and control. Manufactured using durable and high quality components. Use as book-shelf, multimedia or monitor speakers. Includes adjustable wall / ceiling mounting bracket. Includes AC/DC 20V Power Supply, Stereo 3.5mm to RCA interconnect lead and IR Remote.

Code	ADS5A40BK	ADS5A40WH
Colour	Black	White
Input	LINE	LINE
Pmax	40W	40W
Prms	20W	20W
Freq.	60Hz - 20Khz	60Hz - 20Khz
Sens.	85dB	85dB
Packaging	Pair	Pair

Note. Voltage input varies power output:  
12V Input: 10W rms / 20W max per channel  
20V Input: 20W rms / 40W max per channel



ATMOSPHERE  
INDULGE ALL SENSES  
SOUND AMBIENCE FOR  
ENHANCED ENJOYMENT

# 2-WAY INDOOR / OUTDOOR WEATHER RESISTANT SPEAKERS

## 2-WAY SPEAKER SYSTEM

Dynamic Mylar Tweeters (8" is silk dome). Large magnet powerful Polypropylene woofers with Butyl rubber surround in a sealed box. Flexible input options allow these speakers to be connected to 8 Ohm HiFi Audio system or 100V PA Audio System delivering outstanding quality.

## INDOOR / OUTDOOR SPEAKERS

Premium Grade For Indoor / Outdoor. Superior sound reproduction high performance. Multi-purpose speakers. Ideal for outdoors under awnings / eaves, use indoor as satellite HiFi speakers and multi-room audio. High Quality Construction. Weather resistant sturdy plastic cabinet. Modern styling and attractively finished. Free-standing bookshelf or desktop. Metal wall mounting angled bracket. Quick and easy push-fit speaker wire terminals.

Superior sound reproduction performance. 2 Way system with Dynamic Mylar Tweeters. Large magnet powerful Polypropylene woofers. Butyl rubber surround in a sealed box. Weather resistant sturdy plastic cabinet. Colour Coated metal grilles (removable). Free-standing or mounting angled bracket.



## SERIES MODELS

### 3½" 8Ω HiFi

Code	ADS3021W	ADS3021B
Colour	White	Black
Size	180x130x110mm	180x130x110mm
Input	8Ω	8Ω
Pmax	50W	50W
Prms	30W	30W
Sens.	85dB	85dB
Freq.	85Hz-20KHz	85Hz-20KHz
Packaging	Pair	Pair

### 5" 8Ω HiFi

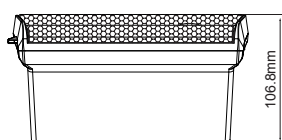
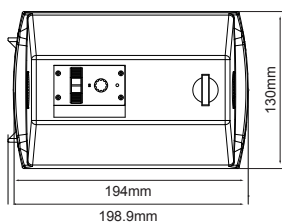
Code	ADS5021W	ADS5021B
Colour	White	Black
Size	245x180x140mm	245x180x140mm
Input	8Ω	8Ω
Pmax	80W	80W
Prms	50W	50W
Sens.	86dB	86dB
Freq.	80Hz-20KHz	80Hz-20KHz
Packaging	Pair	Pair

### 8" 8Ω HiFi

Code	ADS8021W	ADS8021B
Colour	White	Black
Size	360x270x210mm	360x270x210mm
Input	8Ω	8Ω
Pmax	150W	150W
Prms	80W	80W
Sens.	88dB	88dB
Freq.	75Hz-20KHz	75Hz-20KHz
Packaging	Pair	Pair

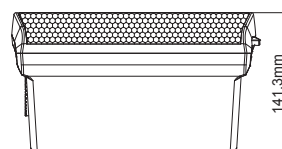
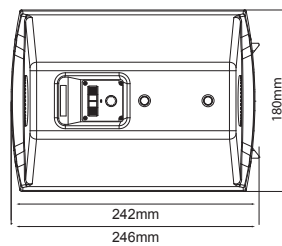
### 3½" 100V PA / 8Ω HiFi

Code	ADS3021W-T	ADS3021B-T
Colour	White	Black
Size	194x130x110mm	194x130x110mm
Input	8Ω / 100V Taps 20W / 10W / 5W / 2.5W	8Ω / 100V Taps 20W / 10W / 5W / 2.5W
Pmax	40W	40W
Prms	20W	20W
Sens.	85dB	85dB
Freq.	85Hz-20KHz	85Hz-20KHz
Packaging	Pair	Pair



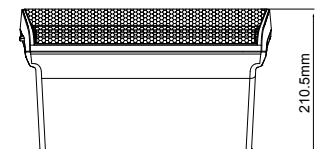
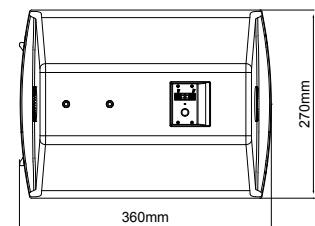
### 5" 100V PA / 8Ω HiFi

Code	ADS5021W-T	ADS5021B-T
Colour	White	Black
Size	242x180x140mm	242x180x140mm
Input	8Ω / 100V Taps 30W / 15W / 10W / 5W	8Ω / 100V Taps 30W / 15W / 10W / 5W
Pmax	60W	60W
Prms	30W	30W
Sens.	86dB	86dB
Freq.	80Hz-20KHz	80Hz-20KHz
Packaging	Pair	Pair



### 8" 100V PA / 8Ω HiFi

Code	ADS8021W-T	ADS8021B-T
Colour	White	Black
Size	360x270x210mm	360x270x210mm
Input	8Ω / 100V Taps 60W/30W/15W/10W	8Ω / 100V Taps 60W/30W/15W/10W
Pmax	120W	120W
Prms	60W	60W
Sens.	88dB	88dB
Freq.	75Hz-20KHz	75Hz-20KHz
Packaging	Pair	Pair



# IP55 RATED WEATHER RESISTANT 2- WAY INDOOR / OUTDOOR SPEAKERS

## IP55 OUTDOOR SPEAKER ENCLOSURES

New fully sealed enclosure range, designed for extended life outdoors exposed to the elements & weather. Tested IP55 Waterproof rating. Attractive, quality ABS plastic. Made from UV resistant materials. Powder coated metal grille and adjustable mounting brackets. 2 Way system with mid-woofer Mica reinforced Polypropylene butyl rubber roll surround Large magnet with vented core. Mylar dome dynamic tweeter. Free-standing or wall mounted. Attractive and stylish design. Mounts vertically or horizontally

## WATER-PROOF SEALED WIRING LOOM

Rear terminals remain sealed by use of a screw type plug & 1ft lead. For 100V transformer taps, simple connect to the appropriately coloured wire.

## FLEXIBLE INPUT OPTIONS

Available in standard HiFi 8 Ohm for direct connection to home systems OR with in-built multi-tap 100V line transformer for PA type applications. Each tap has its own wire connection. Simply connect to a specific wire depending on application required. Available in arctic white box & grille or midnight black to suit your decor. Cabinets are modern and attractive fashion that is stylish & unobtrusive. Includes wall mounting brackets.



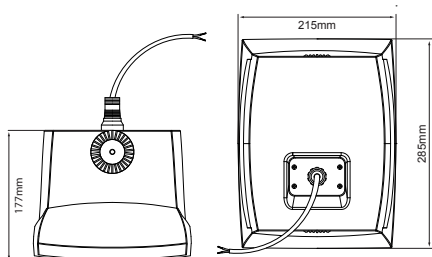
## SERIES MODELS

### 5" 8Ω HiFi

Code	ADS5130B	ADS5130W
Size	214x147x135mm	214x147x135mm
Colour	Black	White
Input	8Ω	8Ω
Pmax	80W	80W
Prms	40W	40W
Sens.	86dB	86dB
Freq.	128HZ-20KHZ	128HZ-20KHZ
Packaging	Pair	Pair

### 5" 100V PA / 8Ω HiFi

Code	ADS5130BT	ADS5130WT
Size	214x147x135mm	214x147x135mm
Input	8Ω / 100V Taps 30W / 15W / 7.5W	8Ω / 100V Taps 30W / 15W / 7.5W
Pmax	60W	60W
Prms	30W	30W
Sens.	86dB	86dB
Colour	Black	White
Freq.	20KHZ - 128HZ	20KHZ - 128HZ
Packaging	Pair	Pair

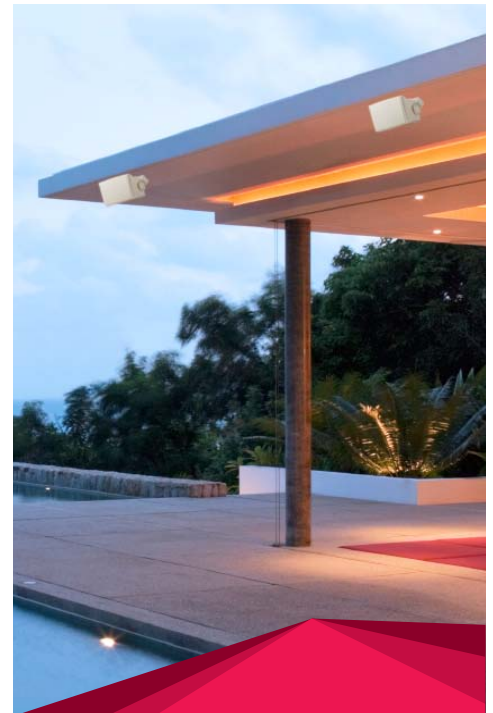
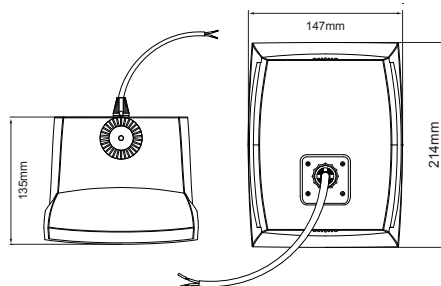


### 6½" 8Ω HiFi

Code	ADS6200B	ADS6200W
Size	215x285x177mm	215x285x177mm
Colour	Black	White
Input	8Ω	8Ω
Pmax	120W	120W
Prms	60W	60W
Sens.	87dB	87dB
Freq.	101HZ-20KHZ	101HZ-20KHZ
Packaging	Pair	Pair

### 6½" 100V PA / 8Ω HiFi

Code	ADS6200BT	ADS6200WT
Size	215x285x177mm	215x285x177mm
Colour	Black	White
Input	8Ω / 100V Taps 40W / 20W / 10W	8Ω / 100V Taps 40W / 20W / 10W
Pmax	80W	80W
Prms	40W	40W
Sens.	87dB	87dB
Freq.	20KHZ - 101HZ	20KHZ - 101HZ
Packaging	Pair	Pair



**BOUNDLESS**  
AUDIO SOLUTIONS FOR  
ANY LOCATION



## INTERCONNECT



Distributed By:



WES AUSTRALASIA

Email: [sales@wes.net.au](mailto:sales@wes.net.au) - Web: [www.wes.net.au](http://www.wes.net.au)

Phone: 02 9797 9866 - Fax: 02 9716 6015

Address: 138 Liverpool Road, Ashfield, NSW, 2131

# VISUALLY BEAUTIFUL ELECTRONICALLY TRANSPARENT

## HIGH END INTERCONNECT

Accento Interconnects combine European styling and functionality with premium grade audiophile technologies to create an attractive reliable and most importantly, maximum clarity and detail in the transmission between today's high performance audio-visual equipment. The extra attention to detail separates these cables from most. Hand assembled by soldering, not crimp, for a secure connection. Ultra-low-noise, Low Capacitance, Low Resistance, Low Induction, due to proven performance materials, design and construction. The beautiful elegance and style of Accento Interconnects faithfully represents audio excellence in performance to the highest standards.

### AUDIO LEAD SINGLE

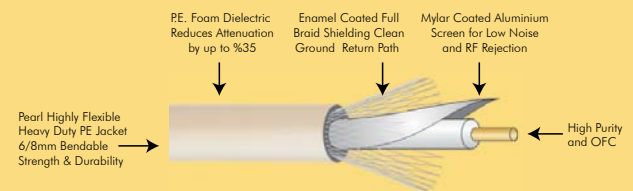
1 RCA Plug - 1 RCA Plug

1.5M	CXS1050
3.0M	CXS1052
5.0M	CXS1054
10M	CXS1056



### HAND CRAFTED FOR LONG-LIFE INTERCONNECT DEPENDABILITY. EUROPEAN DESIGNED HIGH-END AUDIOPHILE PERFORMANCE

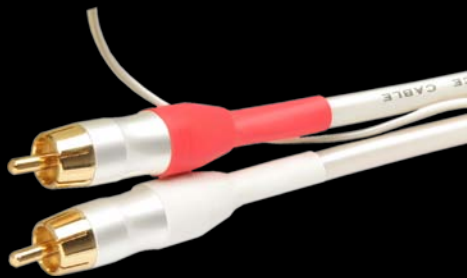
- WHITE PEARL - EXCLUSIVE SERIES BY ACCENTO
- COLOUR CODED HEAT-SHRINK STRAIN RELIEF BOOTS
- PREMIUM GRADE PLUGS - HAND SOLDERED RELIABILITY
- HIGH-GLOSS PEARL FINISH - EXTRA STRONG METAL JACKET
- 24CT GOLD-PLATED CLEAN CONNECTIONS
- RCA LAM-SPRING GRIPS SURE-CONTACT PLUGS



### STEREO LEAD

2 RCA Plugs - 2 RCA Plugs With "Trigger Wire"

0.8M	CXS1102
1.5M	CXS1104
3.0M	CXS1106
5.0M	CXS1108
10M	CXS1110
15M	CXS1112



### AUDIO SPLITTER LEAD 2x FEMALE TO 1x MALE

RCA Plug - 2 RCA Sockets

0.1M	CXS1020
------	---------



### AUDIO SPLITTER LEAD

RCA Plug - 2 RCA Plugs

1.2M	CXS1060
3.0M	CXS1062
5.0M	CXS1064
10M	CXS1066



### AUDIO SPLITTER LEAD 2x MALE TO 1x FEMALE

RCA Socket - 2 RCA Plugs

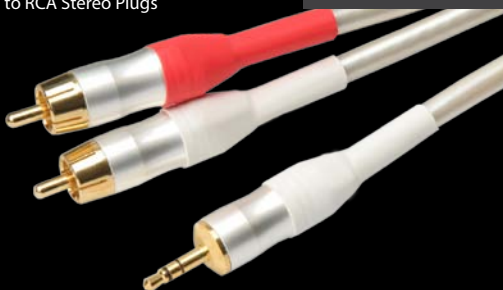
0.1M	CXS1002
------	---------



### 3.5MM TO AUDIO ADAPTOR LEAD

3.5mm Headphone Plug to RCA Stereo Plugs

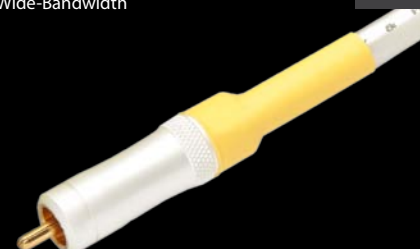
1.5M	CXS1450
3.0M	CXS1452
5.0M	CXS1454



### DIGITAL COAXIAL VIDEO / AUDIO

1x RCA Plug - RCA Plug 75Ω 100MHz Wide-Bandwidth

0.8M	CXS1220
1.5M	CXS1222
3.0M	CXS1224
5.0M	CXS1226
10M	CXS1228
15M	CXS1230



## OPTICAL - TOSLINK TO TOSLINK

Toslink to Toslink Plugs

1.0M	CXS1502
2.0M	CXS1503
3.0M	CXS1504



## STEREO AUDIO + SUPER-VIDEO

2x RCA Stereo Audio & Super-Video Plug to Plug

1.5M	CXS1422
3.0M	CXS1424



## OPTICAL - TOSLINK TO 3.5MM

Toslink to 3.5mm Optical Plug

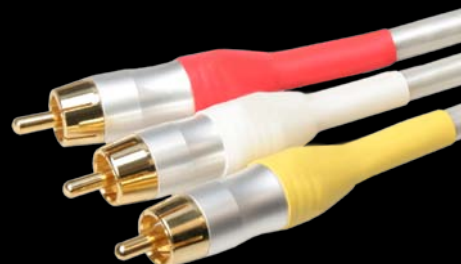
1.0M	CXS1520
3.0M	CXS1522



## STEREO AUDIO + COMPOSITE VIDEO

2x RCA Stereo Audio & Composite Video Plug to Plug

0.8M	CXS1150
1.5M	CXS1152
3.0M	CXS1154
5.0M	CXS1156
10M	CXS1158
15M	CXS1160



## RF FLY LEAD

PAL Plug - PAL Plug 75Ω

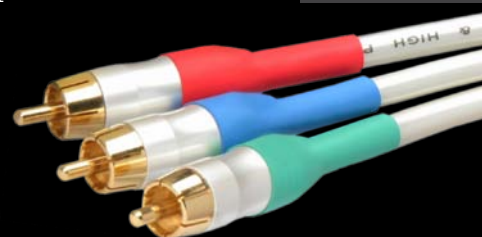
1.0M	CXS1601
1.5M	CXS1602
3.0M	CXS1603
5.0M	CXS1605
10M	CXS1610



## COMPONENT VIDEO LEAD RGB / YUV

3x RCA Plugs - 3 RCA Plugs 75Ω

0.8M	CXS1250
1.5M	CXS1252
3.0M	CXS1254
5.0M	CXS1256
10M	CXS1258
15M	CXS1260



## COMPOSITE VIDEO LEAD

1x RCA Plug - RCA Plug 75Ω

0.8M	CXS1200
1.5M	CXS1202
3.0M	CXS1204
5.0M	CXS1206
10M	CXS1208
15M	CXS1210



## SCART TO COMPONENT + AUDIO

SCART Plug to 2x Audio OUT. 3x RCA Video YUV / RGB

1.5M	CXS1316
------	---------



## 3.5MM TO AV ADAPTOR LEAD

3.5mm "Quad" Plug to Stereo Audio + Composite Video

1.5M	CXS1490
------	---------



## SCART TO AV IN / OUT

SCART Plug to 2x Video + 4x Audio

1.5M	CXS1310
------	---------

