



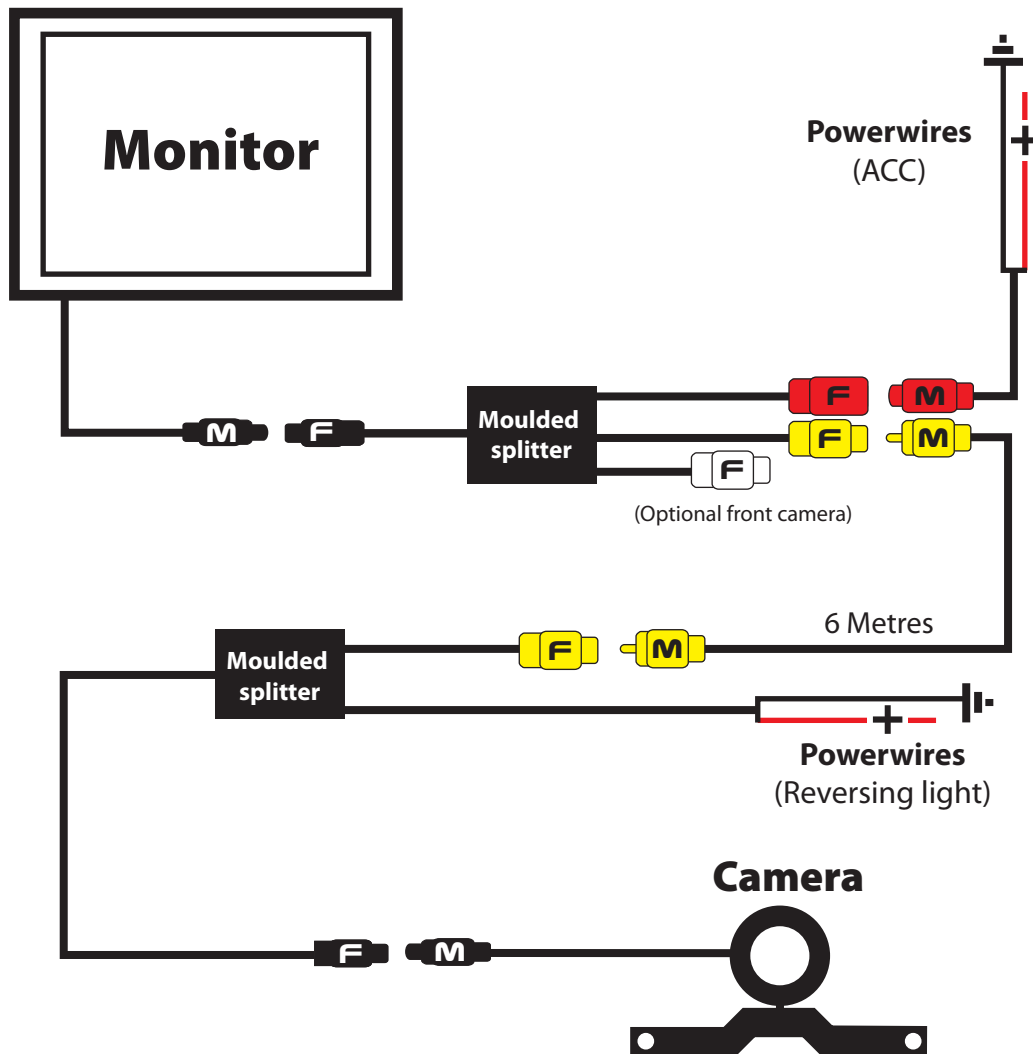
## G500KT USER MANUAL



### INSTALLATION:

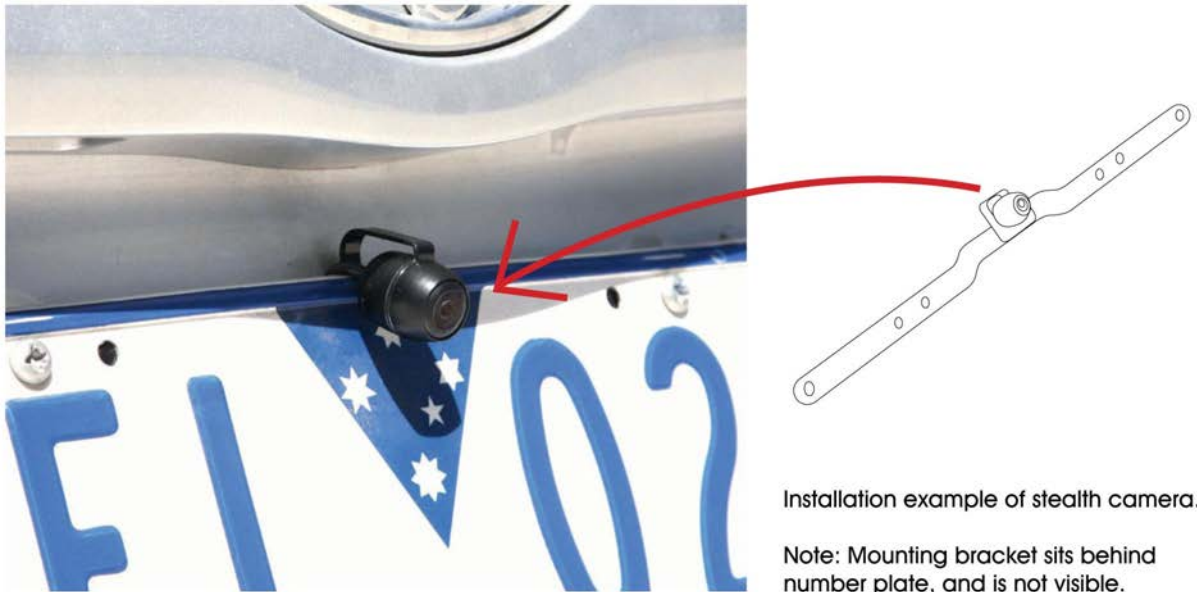
The video signal is transferred from the camera to the monitor via an RCA cable that will need to be run from the boot through the passenger compartment to the monitors wired loom run under the dash. From there the power and video signals are sent directly to the monitor.

At the rear of the car the camera is powered directly from the reversing tail light.



## INSTALLING THE CAMERA

In most instances, the camera is best mounted above the vehicles license plate as shown here.



Where this is not possible there are other camera combinations that will suit your individual application. When mounting the camera, make sure that the camera does not cover any part of the license plate. Choose a position that does not impede the access / operation of the boot release or tailgate latch.

1. Remove the rear license plate from the vehicle by undoing the bolts / screws.
2. Remove the wax paper from the adhesive strip on the back of the camera mounting bracket to expose the adhesive surface. Carefully align the brackets arm so that the top edge of the arms align to the top edge of where the license plate would sit and stick it in place making sure that 2 holes in the mounting bracket align with the mounting holes of the license plate.
3. With the license plate off, check if there are pre-existing holes through which the cables from the camera can be passed through to the boot of the vehicle as in Fig. 2. If there are no pre-existing holes carefully drill a hole of sufficient diameter to allow the cables to be passed into the interior of the vehicle through a rubber grommet and seal the hole with silicone to avoid water leakage.
4. Refit the license plate over the camera bracket using the original bolts / screws.



Fig.1

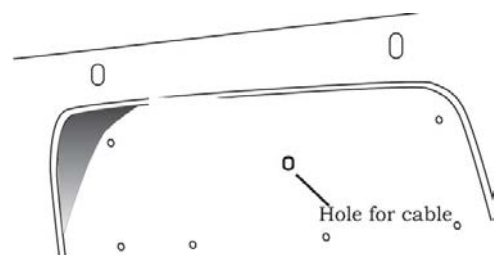


Fig.2

## **INSTALLATION.**

1. Connect the RED wire of the Cameras power Harness to the wire that supplies power to the reversing light globe the wire that is energised only when the car is put into reverse. Before making the electrical connection, temporarily disconnect the camera from the power plug whilst making the connection to the back up light. Use a suitable splicing / crimp connector (Scotch lock type) or strip connector. This connection can also be soldered, making sure to insulate the joint with electrical insulation when done.

The camera has only one wire to connect positive (+). There is no need to hook up a ground wire as the camera gets its earth through the RCA lead. Hooking up the earth may course a ground loop. In this case Horizontal lines will appear in the image.

2. After you have insulated the join you can connect the power harness to the camera.

### **NOTE:**

Some cars that Run LED or Computer controlled lighting systems may not deliver enough voltage to run the camera. If the voltage at the reversing wire light is less than +12 volts it may be necessary to use a relay to supply power to the camera power harness from the wiring in the front of the car. In this case the reversing light only needs to trigger the relay.

Make sure that you do not drill holes in the panels that have an opposite face that is visible outside the car for example guard panels. In fact, whenever drilling holes in the bodywork of a vehicle, always see what is on the other side.

3. Connect one end of the Supplied RCA video lead to the RCA lead coming from the camera then run the RCA lead to the front under side of the driver side dash board. This is were the monitors loom will be located.

To do this you will need to remove the rear seat to pass the cable into the cabin area and you will need to remove the door scuff plates to run the wire along the side of the vehicle. The RCA cable will be hidden when you replace the scuff plates. When the cable is at the front of the vehicle the RCA cable needs to be run from the scuff plate area to the under side of the dash behind the kick trim (Remove to run cable).

4. The monitor has two power wires to be connected. Connect the Red wire (Accessories +12V) to a wire that is energised when the accessories position on the key is active (When the radio is on) and the black wire to a ground wire or you can connect the back wire to the body of the car using the steel of the cars body behind the kick trim as an earth. In this case drill a small 1/8<sup>th</sup> hole and connect the wire using a suitable 3 ring terminal. Scrape off the cars paint around the hole to ensure a good earth.
5. Connect the RCA lead to the RCA Connector from the Monitors loom.

## **TESTING THE REVERSE CAMERA FUNCTION**

1. Engage the park brake and turn the ignition key to the on position. DO NOT start the vehicle.
2. Select reverse gear with the gear shift. The Monitor will sense the Video signal from camera automatically and image should start broadcasting the image of the rear of the vehicle.

## **OSD MENU FUNCTION DESCRIPTION:**

### **Press Menu button for functionality**

- **Brightness** : Adjusts screen Brightness (0 - 40)
- **Contrast** : Adjusts screen Contrast (0 - 40)
- **Colour** : Adjusts screen Colour (0 - 40)
- **Zoom** : Changes display mode between 4:3 & 16:9 ratio
- **Language** : Select Menu Language.
- **Reset** : Resets all menu setting back to Factory configuration

### **Press + or - button to confirm selection**

## **SPECIFICATIONS**

### Monitor

- Size: 5 inch colour TFT LCD Screen
- Reverse parking lines
- Video Input : Yellow = Reverse Camera Input
- Supply Power: DC12V +/- 10%

### Stealth Camera

- Aluminum case & waterproof for outdoor use. IP67 Standard
- Lense Angle 120 degree horizontal & 60 degree vertical
- Low-Lux CMOS camera

### Included

- Monitor •Stealth camera • 6M RCA extension cable •Monitor harness •Camera harness
- DC Monitor harness

## **TECHNICAL ASSISTANCE**

If you need assistance setting up or using your Gator product now or in the future, call Gator Support Australia or visit our website ([www.aerpro.com.au](http://www.aerpro.com.au)) for more product information.

TEL: 03 – 8587 8898

FAX: 03 – 8587 8866

Mon-Fri 9am – 5pm AEST

Please retain this user guide for future reference.

