

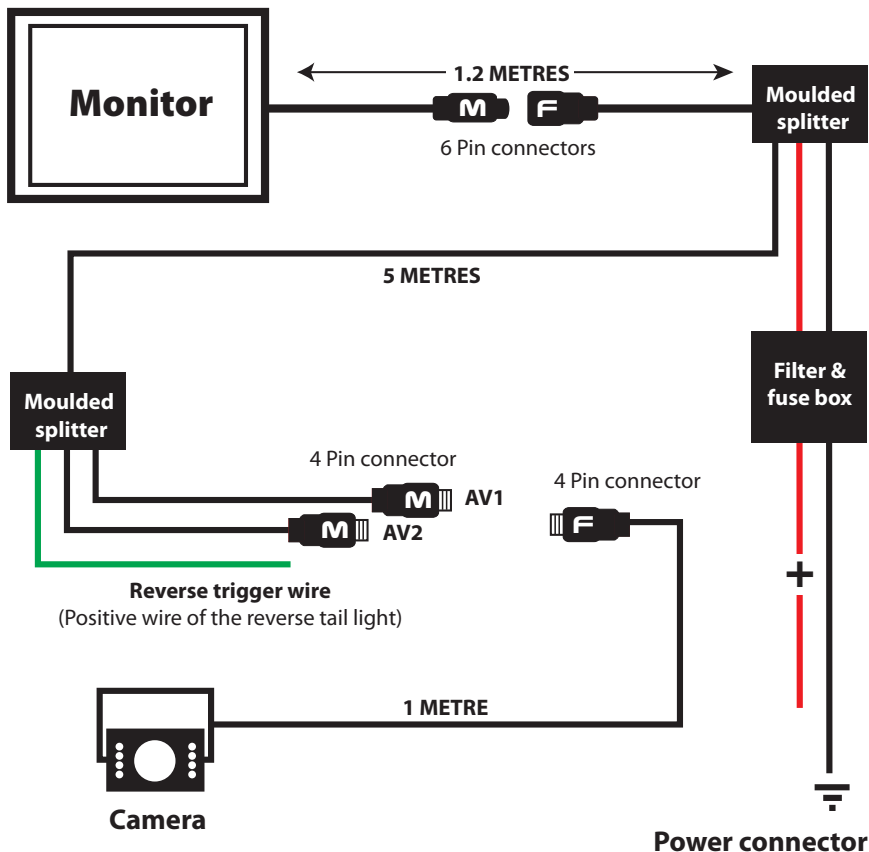


G700CK Instruction Manual

Installation:

The video signal is transferred from the camera to the monitor via 4 pin cable that will need to be run from the rear through to the front of the vehicle to the monitors wired loom run under the dash. From there the video signals are sent directly to the monitor. At the rear of the Vehicle, connect the reverse trigger wire from the loom and connect to the Positive wire of the reverse tail light. This will enable the Reverse camera image to display on the monitor when reverse gear is selected.

The monitor has two power wires to be connected. Connect the Red wire (Accessories 12 -24V+) to a wire that is energised when the accessories position on the key is active (When the radio is on) and the black wire to a ground wire or you can connect the back wire to the body of the car using the steel of the cars body behind the kick trim as an earth. In this case drill a small 1/8th hole and connect the wire using a suitable O ring terminal. Scrape off the cars paint around the hole to ensure a good earth.



Key Function Description:


“V1/V2” : Switches between AV1 / AV2 video images. (AV2 default)

“” Press to rotate image on screen.

“” : When in the MENU, press to adjust settings.

“MENU” : Press to enter and circulate through Settings menu.

“ +/- ” : When in the MENU, press to adjust settings

“” : Power On/Off Monitor.

OSD Menu Function Description:

- **Brightness** :Adjusts screen Brightness (0% - 100%)
- **Contrast** : Adjusts screen Contrast (0% - 100%)
- **Colour**: Adjusts screen Saturation (0% - 100%)
- **Zoom** : Changes display mode between 4:3 & 16:9
- **Tcon (Rotate)** : Adjust Screen image Left, Right, Up or Down to suit installation
- **Language** : Select Menu Language
- **Reset** : Resets all menu setting back to Factory configuration

SPECIFICATIONS
Aspect ratio: 16:9
Pixels: 800*RGB*480
Video: AV1/AV2 (astern preference)
Signal system: PAL/NTSC (auto switchable)
Power supply: DC12v – 24V
Power consumption:≤7W
Operating temperature:-20°C--+60°C



Contents:

- ⊙ Monitor 1pcs
- ⊙ LCD monitor arm – 1pcs
- ⊙ Wiring loom – 1pcs
- ⊙ Rear Camera - 1pcs
- ⊙ Remote control - 1pcs

Technical Assistance

If you need assistance setting up or using your Gator product now or in the future, call Gator Support Australia.

TEL: 03 – 8587 8898
FAX: 03 – 8587 8866
Mon-Fri 9am – 5pm AEST
Please retain this user guide for future reference



