



## USER GUIDE GHDVR52R



## Introduction

Thank you for purchasing the 'Gator HD Dash Cam 52R'. This product is designed to provide high definition recording of your trips for security and evidence in the case of an incident. Being portable, this convenient and durable multi-vehicle driving recorder can be used in a variety of situations for video recording.

## Product Overview

This product is a HD Digital Dash Cam recorder, it can record high resolution video as well as high resolution pictures, using a micro SD card as the storage device which is ultra-small, power saving, easy and convenient to carry anytime.

The Dash Cam has a recording resolution of up to 1920x1080P at 25 frames and it can also shoot 12 mega pixel still images. This dash cam also has the ability to record the front and back of your car simultaneously using the dash cams camera and a reverse camera.

**ATTENTION:** Please charge the unit for 4 hours before installing. The battery in this device is only meant to hold the date and time, and securely save the last file when the units power is turned off. The Dash Cam is not designed to be used without accessory power.

Sold separately the GHWC Hard wire Kit allows the dash cam to be wired directly to the vehicles fuse box rather than sourcing power from the accessory socket of the vehicle.

## Product Features:

- 170-degree high definition wide-angle lens
  - 1920 \* 1080P 25 FPS HD resolution
  - Compression technology with advanced H.264 photography
  - 3-inch LCD screen
  - Loop Recording
  - G-Sensor Function
  - Reverse Camera with Parking lines
  - Park Mode
- 
- Do not put the Dash Cam into a damp working condition; The Dash Cam does not have any waterproof function.
  - Do not try opening the shell or trying to repair the Dash Cam by yourself. If the accessories for the Dash Cam have any problems, please take it to an authorized repair agent for repair.
  - Do not use a chemical substance, clean solvent or cleaner to clean the Dash Cam, please use a moist soft cloth if you would like to clean the Dash Cam.
  - Do not use the Dash Cam under conditions where dust and density is too large, to avoid affecting the video.
  - Please care for the environment, do not discard this machine randomly; do not throw the Dash Cam into a fire, as it may explode.
  - Please pay attention to cleaning the lens surface, use a moist soft cloth to clean the lens before use, to avoid poor video footage.

**Package Components:**



Gator HDVR52R



Mounting Bracket



USB to Mini USB



Car Charger



Reverse Camera & Cable



GHDVR52R User Guide



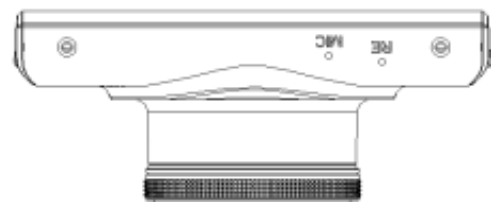
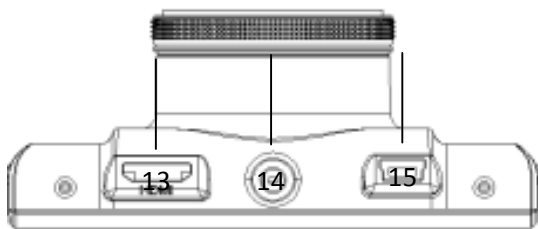
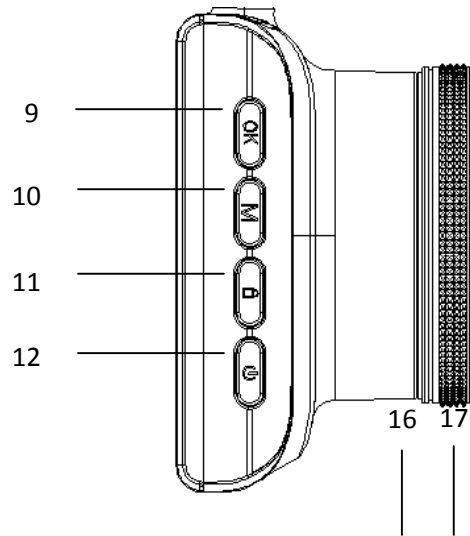
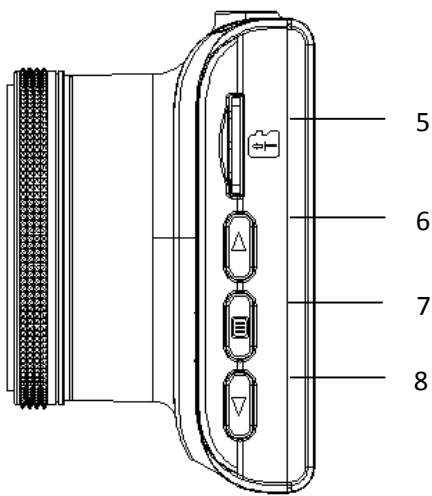
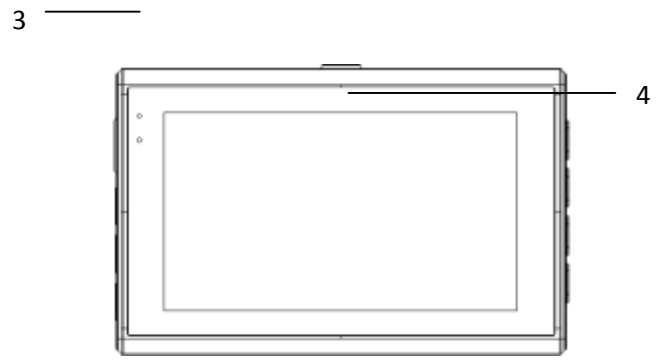
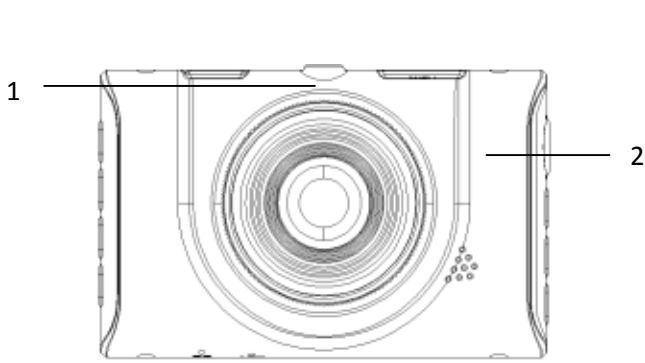
8GB Micro SD Card

**Optional Accessory: GHWC**

The GATOR GHWC DASH CAM HARD WIRE KIT enables a professional installation of a GATOR DASH CAM into your vehicle. Instead of sourcing power from the accessory socket of the vehicle, the GHWC allows the dash cam to be wired directly to the vehicles fuse box.

It will still function the same way as the accessory plug power lead but allows all cables to be hidden for a professional installation. Sold separately

**Product Structure:**



- 1) Lens
- 2) Speaker
- 3) LED Indicators
- 4) LCD
- 5) Micro SD Card Slot
- 6) Up
- 7) Menu
- 8) Down
- 9) Ok/Record

- 10) Mode
- 11) Lock
- 12) Power Button
- 13) Mini HDMI out
- 14) Mounting Bracket Hole
- 15) Mini USB in
- 16) Mic
- 17) Reset

## **Button Instructions**

### **Power Button:**

When the Dash Cam is turned off, press it once to turn it on. While the system is on, hold down the power button to turn it off. When recording, pressing the power button will turn off display but the device will continue to record.

### **Menu Button:**

Pressing this button once will open the menu. Pressing the menu button again while in the menu will change to the second settings tab.

### **Mode Button:**

Press the mode button to switch between video mode, photo mode and the file browser interface.

### **OK/Record Button:**

The OK is used to start recording in video mode. Pressing the button again in video mode will stop the recording. In photo mode, the OK button is used to take a picture.

The OK button is also used to select a setting in the menu.

### **Up Button:**

The up button is used while in the menu to move the highlighted area for selecting. Pressing this button when the reverse camera is connected will allow you to switch between the different views on the dash cams screen. The different views are: large view of front camera and small view of reverse camera (Picture in Picture), large view of reverse camera and small view of front camera (Picture in Picture), only front camera or only reverse camera.

### **Down Button:**

The down button is used while in the menu to move the highlighted area for selecting. Pressing the Down button while will turn the microphone on or off.

### **Lock Button:**

Pressing the Lock button while recording will activate file protection (A white key will be present if activated).

### **Micro SD Slot:**

Where the Micro SD card is inserted (Max size is 32GB).

### **USB Interface:**

The USB port can be used to charge the device or be connected to a computer for data transmission.

### **Reset:**

To hard reset the device in the case of a system jam or crash.

### **Power Indication Light:**

When the device is turned on, a blue indicator will light up. When the device is recording, it will be flashing blue. When the device is charging, the light will glow red.

### Battery Charging Indication Light:

After connecting the Dash Cam through USB, the indication lamp will glow red meaning it is charging. **The Dash Cam is not designed to be used without accessory power**

### MIC:

Audio receiver for video recording.

### Extra Functions

#### G-sensor Function:

The G-sensor function activates in the case of a car accident by determining the gravitational acceleration ( $1g = 9.8 \text{ meters/second}^2$ ). When this function activates, the Dash Cam will save the accident footage in a non-deletable file in order to protect the footage.

#### SOS Function:

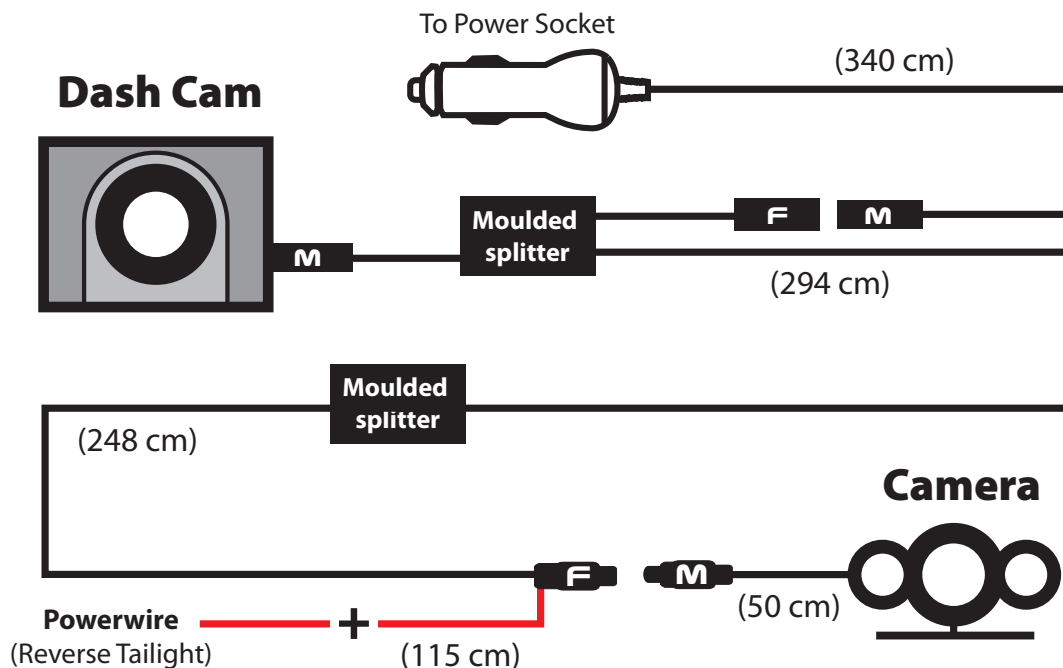
Press the Lock Button while recording in order to lock the currently recording video file so it is non-deletable file (A white key will be present if activated).

#### Ignition Auto Power On/Off:

Once power is connected to the device, like when you start up your car, the Dash Cam will automatically turn on and start recording. When the power is disconnected, or car is turned off, the Dash Cam will automatically save the file and shutdown.

#### Reversing Camera:

To setup the reversing camera for this Dash Cam, please follow the diagram below.



When the reversing camera is connected to the Dash Cam and it is currently powered on, the reversing camera will be displayed in the top right corner of the LCD screen. When recording, it will save both cameras under separate folders labelled DCIMA (Dash Camera) and DCIMB (Reversing Camera) inside the Micro SD Card. When you put your vehicle in reverse, the reverse camera will be displayed on the Dash Cam with reversing lines.

## Basic Instructions for Video and Photo Operation

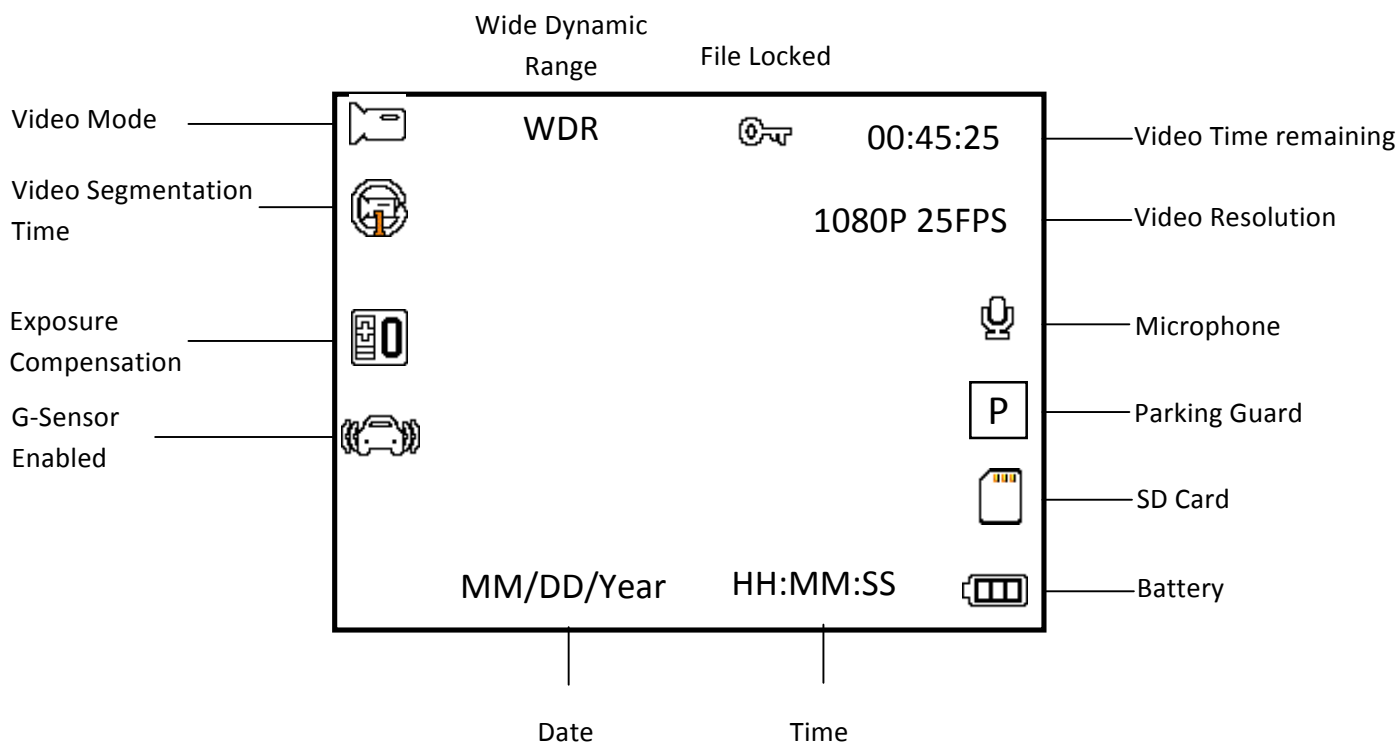
### Powering on and off the device:

To turn on the Dash Cam press the power key once, the red indication lamp will be light up if it is connected to a power source. To turn it off, hold down the power button and the device will turn off.

**WARNING:** The device will automatically turn off once accessory power is disconnected.

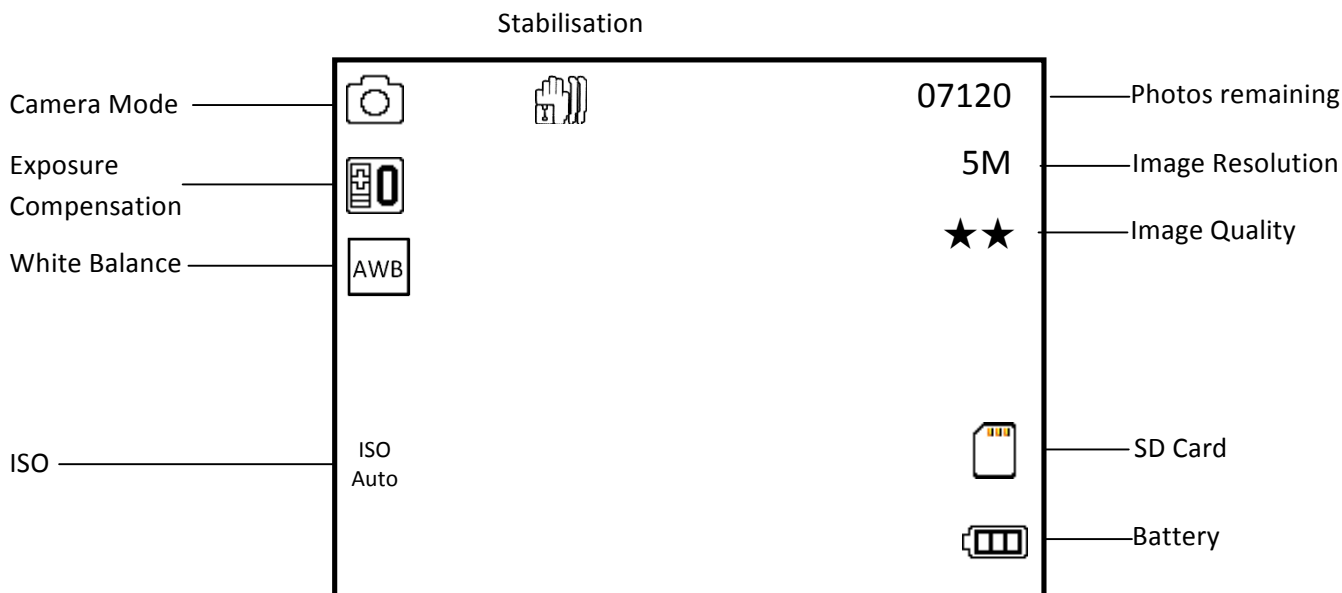
### Video Mode

Press the Mode button to switch to video mode if not already. To start recording in video mode press the OK button to start the recording. You know it is recording by the red circle indicator on the top left corner of the LCD. To stop the recording, simply press the OK button again.



## Photo Mode

Press the Mode button to switch to photo mode. There is a camera icon at the top left corner of the LCD to signify you are on photo mode. To take a photo, press the OK button. The screen will flash and make a camera sound when a picture is taken. Pressing the Menu button in photo mode will allow you to adjust the photo resolution, image quality and other photo settings



## Video/Photo Playback

Press the mode button until you see the video reel icon on the top left of the screen representing playback mode. Using the arrow buttons, you can choose between all your recorded videos or photos. The protected files have a lock icon meaning they cannot be deleted until unlocked. Press the OK button to select a file for playback. Pressing the Menu button will give the option to delete the file or unlock the file. The slide show will go through all the images on the device at a set interval. Simply press the Mode button again to return to video mode.

## Menu Settings

Press the Menu button to get into the menu settings. You can navigate the settings menu by using the Up/Down buttons. To change or edit a selected setting, press the OK button.

Press the menu button again to get out of the menu settings.

## USB Mode

When connecting a USB cable with a PC, the Dash Cam will present two options. 'Mass Storage' allows you to transfer your videos and photos to your PC. The 'PC Camera' option allows you to use your Dash Cam as a webcam for your computer.



## Charging instructions

**ATTENTION:** Please charge the unit for 4 hours before installing. The battery in this device is only meant to hold the date and time, and securely save the last file when the units power is turned off. The Dash Cam is not designed to be used without accessory power.

The Dash Cam can be charged multiple ways:

1. Using the provided micro USB cable to connect to a USB interface for charging.
2. Using the provided car charger

## Menu setting features explained

**Resolution:** The recommended resolution should be set at '1080P 25FPS' in order to get the best quality footage.

**Loop Recording:** This feature allows you to set the size of the files your Dash Cam will record before saving and creating a new file. We recommend the Dash Cam to be set to '3' minute files.

**WDR (Wide Dynamic Range):** Wide Dynamic Range can allow for better quality footage in areas where both bright light and no light are present. This function is permanently on to enhance picture quality.

**Exposure:** This feature will change the white input. We recommend it always be set at '+0.0'.

**Record Audio:** This Feature will allow you to turn the Dash Cams recording sound on or off. If you want to stop the Dash Cam recording sound in the cab of your vehicle, set this feature to 'off'.

**Date Stamp:** This feature will stamp the date and time on all your footage produced by your Dash Cam.

**G Sensor:** This feature allows you to set the sensitivity of the Gravity sensor in the Dash Cam. We recommend this be set to 'Normal' to help stop false or irrelevant readings.

Press the menu button again until you see the following Spinner and screwdriver. **(SETUP MENU)**

**Parking Mode:** When enabled, the Dash Cam will automatically turn on and start recording when it detects a crash against the car. This is mainly used when the car is parked and someone else hits your vehicle. A 'P' icon on the right of the screen signifies it is turned on.

**Date/Time:** This feature will allow you to change the year, month, day and time. To change the date simply uses the arrow keys to go up or down. Press the OK button to move onto the next section. Again, use the arrow buttons to go up or down. Once through all the sections, pressing OK again will finish the setup.

**Plate NUM:** This feature will display the numberplate of your car watermarked on recorded footage. Use the arrow keys to scroll between different letters and numbers, then press OK button to move to the next character. Press the Menu Button to save and exit.

**Beep Sound:** Allows you to turn the beeping sound on or off.

**Language:** Allows you to choose from a selection of languages that include: English, Simplified Chinese, Traditional Chinese, Japanese, French, Dutch, Korean, Italian, Portuguese, Thai, Spanish and Arabic

**TV Mode:** We recommend this be set to 'PAL' as PAL is the Australian standard line frequency and will work on any TV when playing back your footage on TV via a Mini HDMI cable.

**Frequency:** This feature allows the best recording in conditions where street lights and ac lighting is used. The Australian standard frequency is 50HZ so it should be set to '50hz'.

**Screen Saver:** This feature will turn your LCD off after 1, 3 or 5 minutes but will continue to record regardless. This feature is useful for night driving as having the LCD on could be a distraction.

**Format:** This feature allows you to format/delete all the files off your micro SD card and also reinstalls your DCIM directory and Dash Cams software on your SD card so the micro SD card can operate with your Dash Cam free of errors.

**Default Setting:** This feature will reset all your settings and return your Dash Cam to the factory standard settings.

**Version:** This simply shows the firmware/software employed by the Dash Cams hardware.

## Product Specification

Product Feature	HD Camera, HD Recording
G-sensor	Built-in(Used to save the file in case of an emergency, and cannot be deleted if the collision of vehicles happen)
LCD Size	3" LCD
Lens	170 Degree Wide Angle
Language	English/Simplified Chinese/Traditional Chinese/Japanese/French/Dutch/Korean/Italian/Portuguese/Thai/ Spanish/Arabic
Video Format	MOV
Video Resolution	Dash Cam :1080P 25FPS, 720P 25FPS Reverse Camera: 1280x720p
Video Codec.	H. 264, Audio: AAC
Loop Recording	Recording with seamless
Auto ignition turn on/off while car power on/off	Supports turn on while car starts and turn off while car turns off.
Year/Month/Day Hour/Minute	Supported
Still images	Photo resolution: 12MP
Photo Format	JPEG
Memory Card	Micro SD SDHC (up to 32GB Max)
MIC	Supported
Built-in Speaker	Supported
Frequency	50HZ/60HZ
USB Function	1. Mass Storage 2. PC Camera
Power Interface	5V 2A
Battery	180mAH built-in battery (Memory/Date/Time only)

## Frequently Asked Questions

Under normal operating conditions, if there are problems with the device, please refer to the following methods to resolve.

### **Cannot take pictures or record video?**

Please check whether there is enough space on the micro SD card or internal storage.

### **Stopping automatically while recording**

Due to the high amount of HD video data being recorded, please use a high speed micro SD card. To tell if you have the required high speed card, check if it has the 'Micro SDHC' logo on the SD card and the C4, C6 or C10 somewhere on the card.



Make sure that your card is labelled Micro SDHC and not Micro SDXC as SDXC cards will not work with this Dash Cam.

### **Fuzzy/dirty image**

Please check if the lens is filled with dirt or fingerprints and clean carefully. Please clean lens with cloth before shooting.

### **Horizontal stripes interference in the image**

This is due to the wrong setting of light frequency error, please set the frequency to 50HZ as it is the Australian standard frequency.

### **The Dash Cam is jammed or not responding**

Please reset the device by pushing in the reset button on the underside of the Dash Cam.

### **Why does the Dash Cam have a battery?**

The battery in this device is only meant to hold the date and time, and securely save the last file when the units power is turned off. The Dash Cam is not designed to be used without accessory power

### **Why does the time and date reset?**

The time resets when the Dash Cam's battery is flat. Make sure the Dash Cam is always charged in order to keep date and time.

### **Why is the battery not charging in the car?**

Please check and make sure that there is power in the cigarette lighter socket of your car.

### **Micro SD card not recognised by Dash Cam**

Format card in the Dash Cam's menu setting's before use.

### **A coloured tinge showing up in the video?**

Make sure to peel off the transparent protective sticker on the front of the Dash Cam's lens.

## **Infringement of copyright warning**

Please note that this product is for personal use only, the method of use shall not violate the goods infringe on domestic or international copyright laws. Even recorded images for personal use only, please note that in some cases to use this product to record performances, exhibitions or business activities of the images may infringe the copyright or other legal rights and interests of other

## Technical Assistance

If you need assistance setting up or using your Gator product now or in the future, call Gator Support.

Australia

TEL: 03 – 8587 8898

FAX: 03 – 8587 8866

Mon-Fri 9am – 5pm AEST



Please retain this user guide for future reference.

If you would like to download a digital copy of this manual, or other Gator manuals/software, please visit the [TDJ.com.au](http://TDJ.com.au) website and click 'Help/Downloads' for information on where to find the manuals/software.