

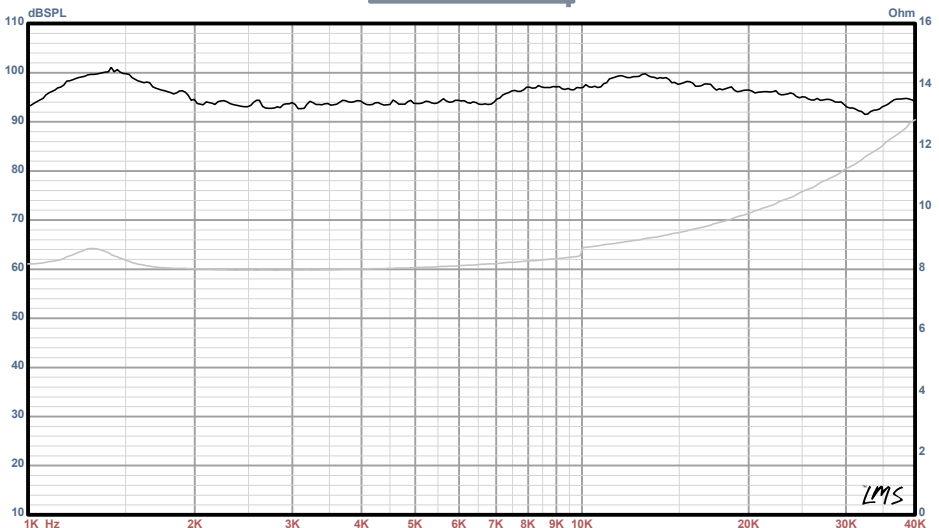


NeoX2.0 ribbon tweeter

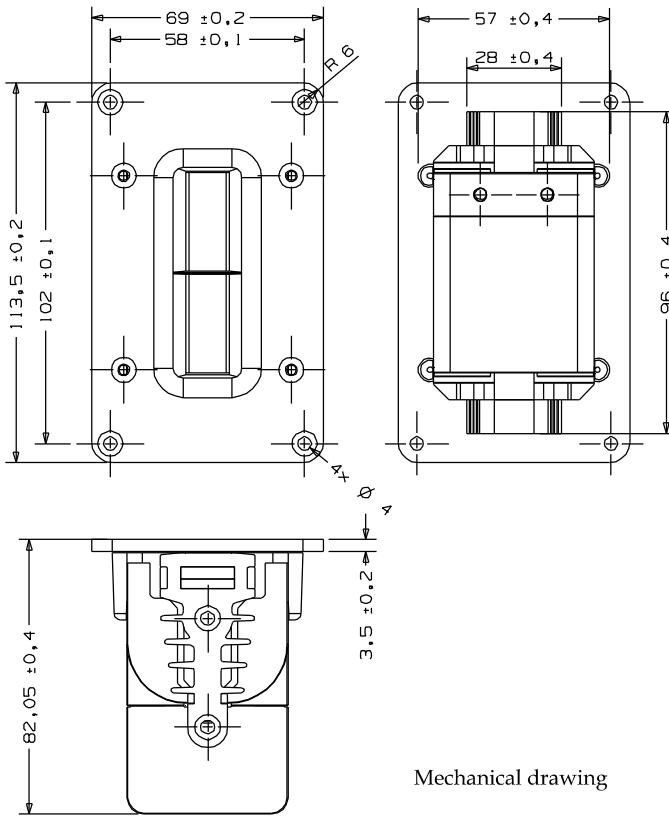
Feature

- Fountek's 3-rd generation ribbon driver technology
- 12mm width enforced sandwich ribbon diaphragm
- Higher power handling, lower distortion, very fast transition
- Strong Neodymium magnet
- Built-in impedance convertor

SPL vs Freq



on-axis frequency response



Mechanical drawing

| Parameter | |
|-------------------------------|-----------------------|
| Sensitivity | 94dB/1m/2.83v |
| Power handling | 25W nominal, 43W max |
| Frequency range | 1,200-40,000Hz |
| Nominal impedance | 8 ohm |
| DCR | 0.02 ohm |
| Ribbon dimension | 12x60x0.015mm |
| Effective ribbon area | 720 square millimeter |
| Ribbon weight | 27 milligram |
| Gap flux | 0.4 Tesla average |
| Gap height | 13 millimeter |
| Recommend crossover frequency | 2,300Hz with 2-order |
| Net. Weight | 750 gram |