

ADA30

INSTRUCTION MANUAL
COMPACT 15W STEREO AMPLIFIER
CLASS-D



 accentto®
dynamica

Accento Dynamica ADA30

Thank you for your purchase of the Accento Dynamica ADA30 Class D Digital Audio Amplifier. Don't let the compact size fool you; the ADA30 amplifier has the heart of a serious performer. Inside is a proprietary Class D amplifier circuit, designed to create more efficient and higher quality audio amplification using digital signal processing. The ADA30 is remarkably affordable, yet still delivers a crisp, vibrant signal that compares to most high-quality linear amplifiers. Perfect for home or at play applications as the unit operates on batteries for portable use or the included mains power adapter can be used to power the ADA30 for indoor use.

Features

- Palm-size Class-D 30 watt amplifier
- Battery or AC powered power supply included for perfect portability
- 90% Amp efficiency for longer battery life
- Superior sound quality
- Soft turn-on eliminates annoying speaker pop
- CE and RoHS rated design
- Intelligent short-circuit protection
- Intelligent over-temperature protection
- Connects to any passive 4/8Ω speakers
- Accepts standard audio line output from any sound system

Includes

- ADA30 Amplifier 2x 15Wrms Digital Stereo Amplifier
- 12V @ 2A switch mode power supply 240Vac

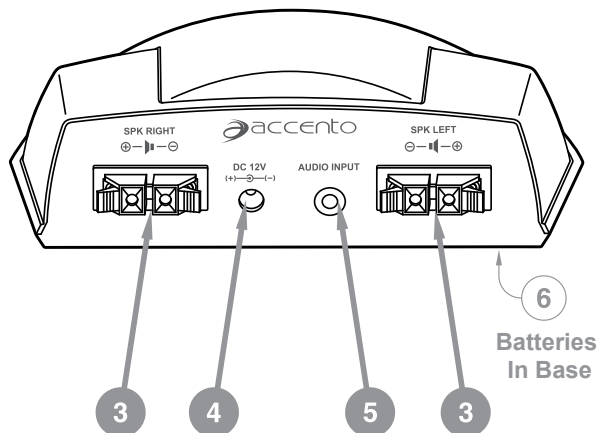
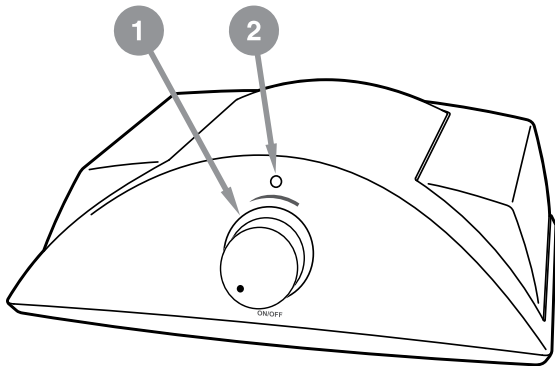
Safety Instructions

- To prevent fire or electrical hazard do not disassemble this product.
- Do not expose the unit to water or moisture.
- Do not place liquid on or close to unit.
- Do not place unit on or near an open flame or heat source.
- Keep product free from dust and debris.
- Place unit on a stable and level platform.
- Do not place heavy items on top of unit.
- Do not use excessive force when pushing the unit buttons.
- Do not attempt to pull the power cord when removing it from power outlet.
- Do not use damaged or defective power cables.
- Unplug the power cable if the unit is not in use.
- Clean with a damp cloth only.

Connection

Connection and operation of the ADA30 is simple and straight forward. On the front of this amp you will find an on/off switch with analogue volume control. The back panel features stereo 3.5mm input, perfect for using with audio devices, tablets, PCs, etc. Speaker connection is via 4 spring terminals. Each accepting bare wire up to 18AWG. A robust 12 VDC, 2.0A power adapter comes with this amp to ensure that it is given the right voltage and current to function at peak performance.

1. Power/Volume Control
2. Power Indicator
3. Speaker Terminals
4. Power Input
5. 3.5 mm Audio Input
6. Battery Compartment (bottom of unit)



- I. Attach an audio device such as MP3 player, PC, etc. to the 3.5 mm audio input.
- II. Attach two 4 or 8 ohm speakers to the speaker terminals.
Pay attention to speaker polarity; red to red (+) and black to black (-).
- III. Install 8 "AA" batteries or connect the 12 VDC power supply.
- IV. Turn on the amplifier and set to appropriate volume level.
- V. Enjoy your Class D Digital Audio Amplifier.

Operation

The highly efficient audio amplification of the Accento Dynamica ADA30 provides an amazing soundstage and presence combined with enhanced clarity and sound quality; all at an amazingly low price. The ADA30 features the TDA7491 developed for its efficiency and performance. The class-D audio amplifier is designed for home audio applications and is fully protected against faults with built-in thermal and short-circuit protection. The high efficiency enables optional battery operation via eight AA batteries in the base or use the included compact power pack for 240Vac operation. This is the perfect stereo amplifier for desktops or portable situations almost anywhere. It is small, but generates powerful, pristine audio that belies its size and cost.

Specifications

Power output:	2 x 15 watts Typically THD < 0.1% 4Ω 12W THD = 1% 4Ω 16W THD = 10% 8Ω 7W THD = 1% 8Ω 10W THD = 10%
SNR:	103db, A Weighted
Frequency response:	20 - 20,000 Hz
Dynamic Range:	102dB
Channel Separation:	70dB
Signal Input:	3.5mm stereo signal input
Input Impedance:	2K Ohm
Signal output:	4-wire signal output. Bare-wire
Power Supply:	DC12V 25Wnom, 30Wmax
DC Plug:	O/D 5.5mm, Centre Pin 2.1mm (Positive)
Dimensions Case:	150mm(w) x 50mm(h) x 90mm(d)
Weight:	0.225kg

