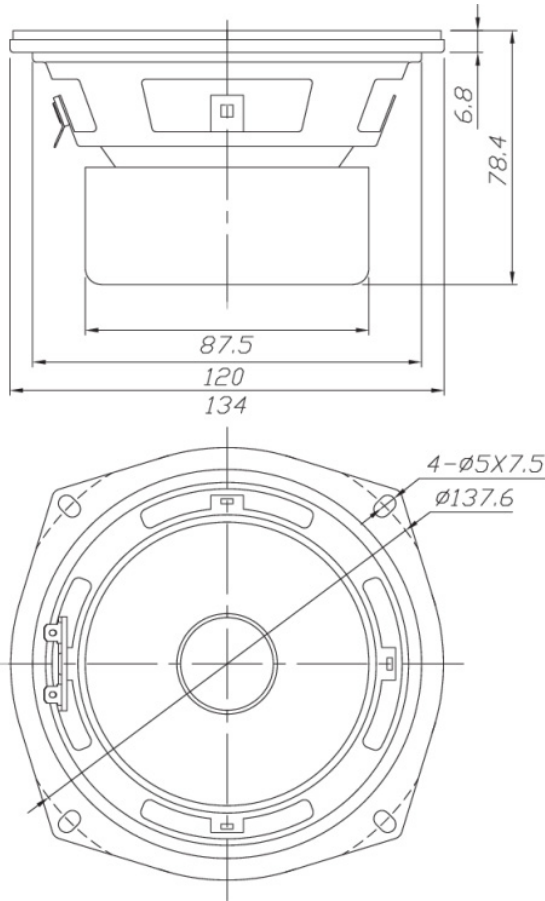




# DC130AS-8 5-1/4" Classic Shielded Woofer 8 Ohm

DC130AS-8



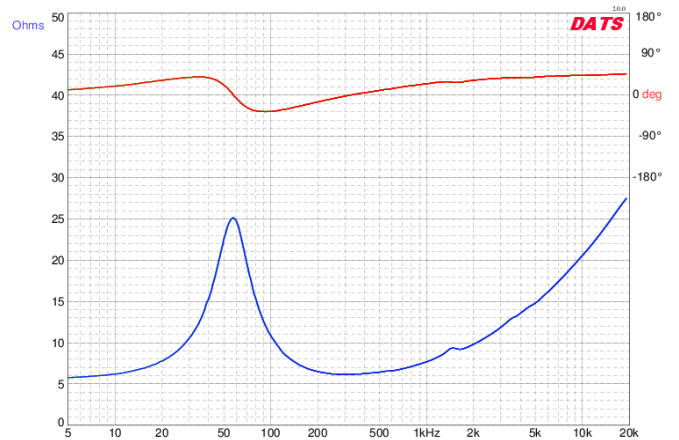
## PARAMETERS

Impedance	8 ohms
Re	5.6 ohms
Le	0.84 mH @ 1 kHz
Fs	57.2 Hz
Qms	2.01
Qes	0.58
Qts	0.45
Mms	9.7g
Cms	0.8 mm/N
Sd	91.6 cm <sup>2</sup>
Vd	22.9 cm <sup>3</sup>
BL	5.83 Tm
Vas	9.73 liters
Xmax	2.5 mm
VC Diameter	25 mm
SPL	88.5 dB @ 2.83V/1m
RMS Power Handling	30 watts
Usable Frequency Range (Hz)	55 - 4,000 Hz

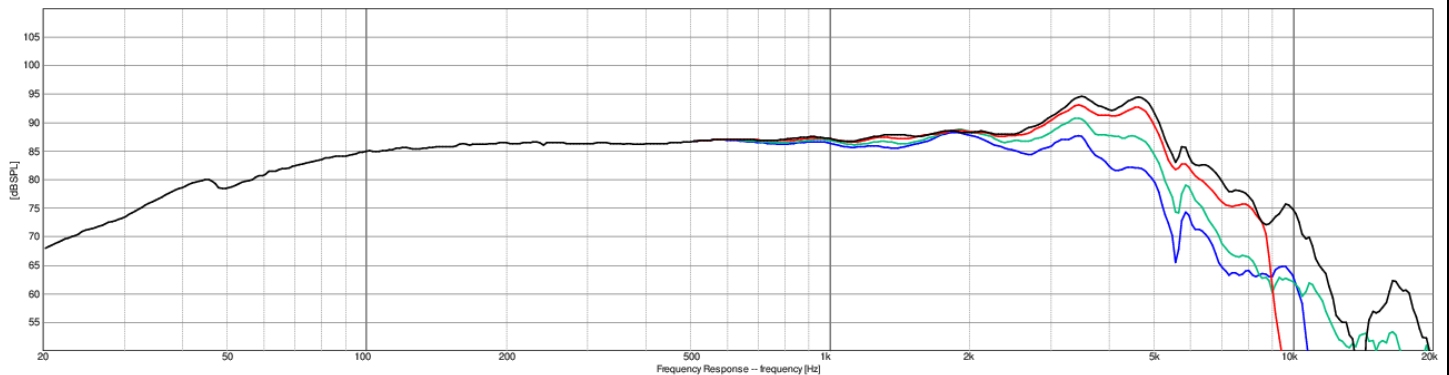
## FEATURES

- Use as a woofer, midbass, or a small subwoofer
- Smooth frequency response up to 2 kHz
- Aluminum voice coil and extended bump plate
- Shielded design increases performance
- 4 ohm impedance for series pair use in MTMs and center channel speakers

## IMPEDANCE/PHASE



## FREQUENCY RESPONSE



Note: 1/12<sup>th</sup> octave smoothing - nearfield response included in graph below 450 Hz.

Black = 0°  
Red = 15°  
Green = 30°  
Blue = 45°