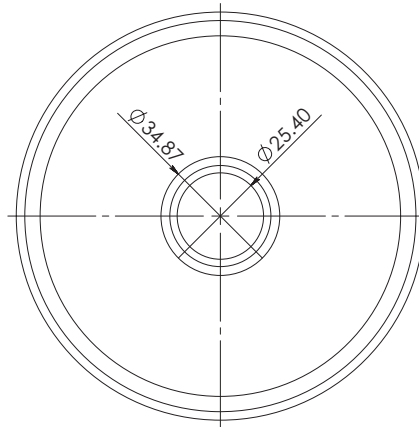
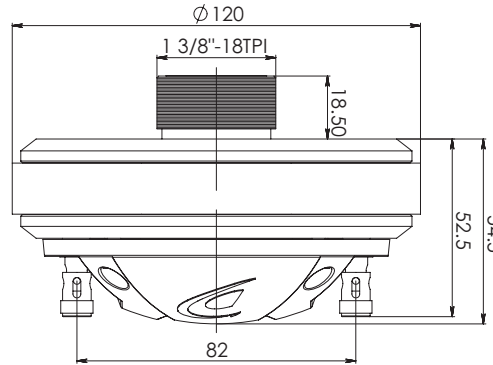


DT250P-8

Polyimide Diaphragm 1" Horn Driver



Note: All dimensions in mm.

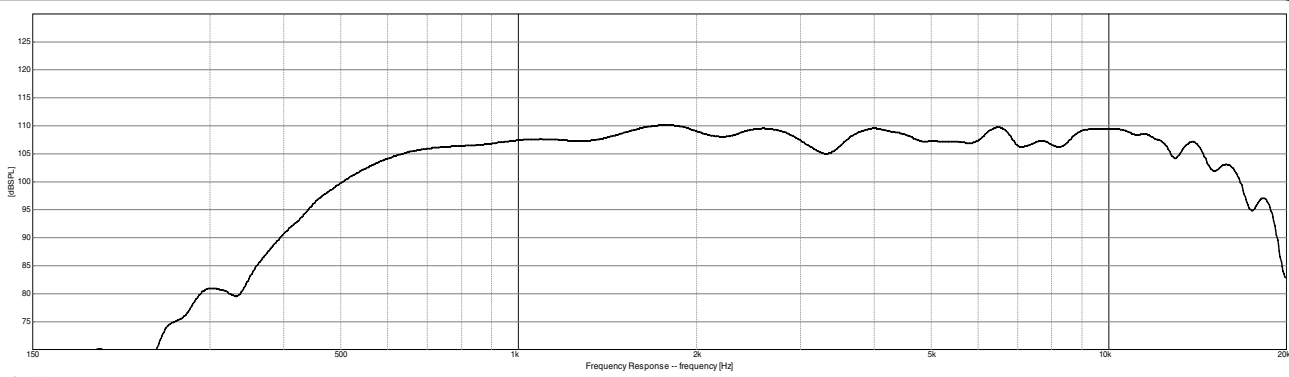
Parameters

Impedance (Ω)	8
Re (Ω)	6.1
Le (mH) @ 1 kHz	0.12
Fs (Hz)	—
Qms	—
Qes	—
Qts	—
Mms (g)	—
Cms (mm/N)	—
Sd (cm ²)	—
Vd (cm ³)	—
BL (Tm)	—
VAS (liters)	—
XMAX (mm)	—
VC Diameter (mm)	44
SPL (dB 1W/1m)	104
RMS Power Handling (w)	60
Usable Frequency Range (Hz)	1,000-20,000

Features

- 1-3/8"-18 TPI mounting for compatibility with a variety of horns
- High sensitivity and power handling
- Polyimide diaphragm for smooth, detailed reproduction
- 1,000-20,000 Hz frequency response
- Optimized ferrite motor structure

Frequency Response



Note: Frequency response measured using Dayton Audio H812 horn at 1m distance.

Impedance/Phase

