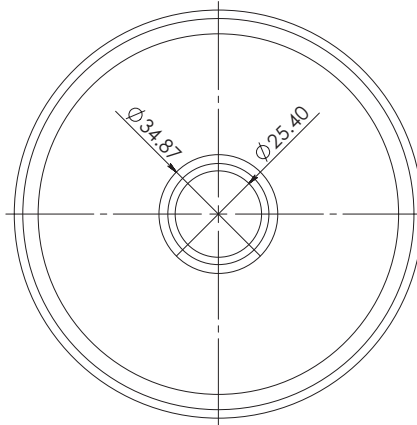
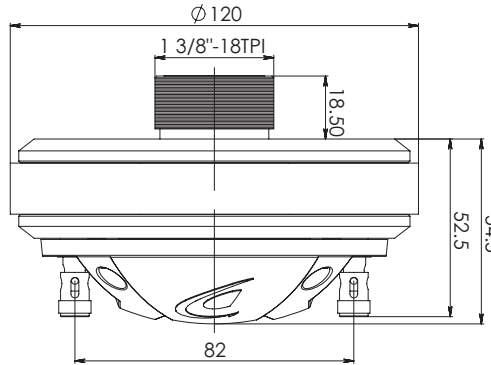


# DT250T-8

# Titanium Diaphragm 1" Horn Driver



Note: All dimensions in mm.

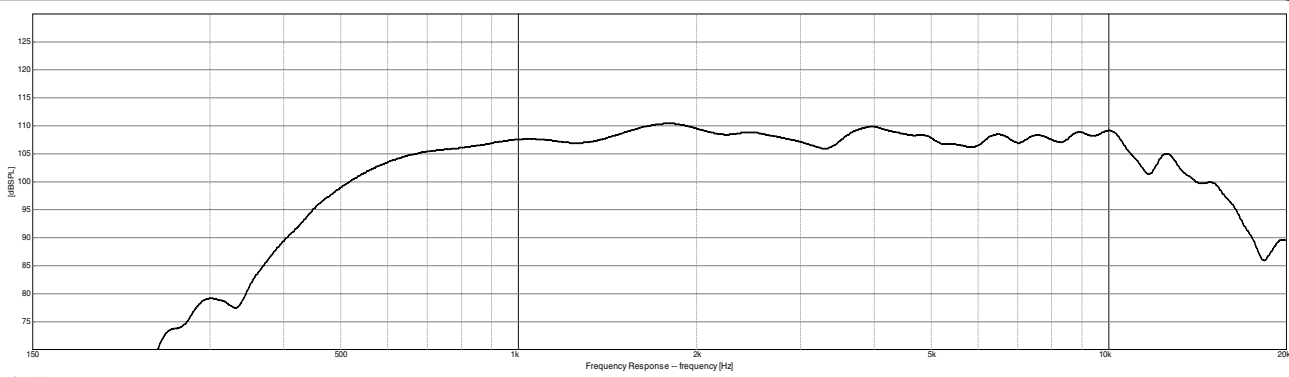
## Parameters

|                             |              |
|-----------------------------|--------------|
| Impedance ( $\Omega$ )      | 8            |
| Re ( $\Omega$ )             | 6.1          |
| Le (mH) @ 1 kHz             | 0.12         |
| Fs (Hz)                     | —            |
| Qms                         | —            |
| Qes                         | —            |
| Qts                         | —            |
| Mms (g)                     | —            |
| Cms (mm/N)                  | —            |
| Sd (cm <sup>2</sup> )       | —            |
| Vd (cm <sup>3</sup> )       | —            |
| BL (Tm)                     | —            |
| VAS (liters)                | —            |
| XMAX (mm)                   | —            |
| VC Diameter (mm)            | 44           |
| SPL (dB 1W/1m)              | 105          |
| RMS Power Handling (w)      | 60           |
| Usable Frequency Range (Hz) | 1,000-20,000 |

## Features

- 1-3/8"-18 TPI mounting for compatibility with a variety of horns
- High sensitivity and power handling
- Titanium diaphragm for dynamic impact and high SPL
- 1,000-20,000 Hz frequency response
- Optimized ferrite motor structure

## Frequency Response



Note: Frequency response measured using Dayton Audio H812 horn at 1m distance.

## Impedance/Phase

