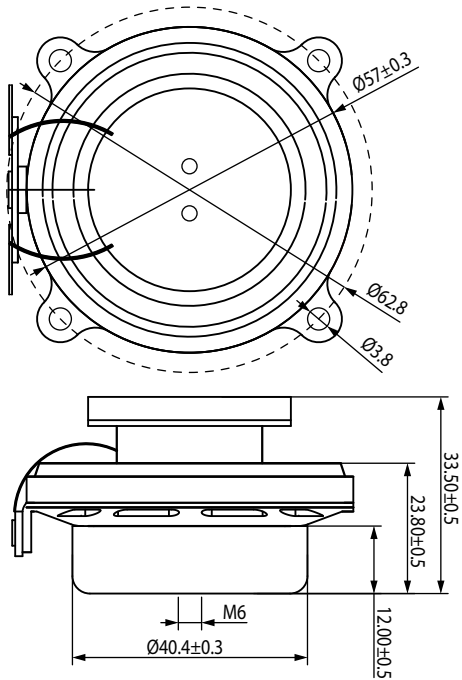




**IMS™ High Efficiency Steered Flux Interchangeable Hardware Mount  
Exciter 30mm 40W 4 Ohm  
EX30HESF2-4**



**PARAMETERS**

Impedance	4 ohms
Re	3.8 ohms
Le	0.31 mH
Fs	130 Hz
Qms	N/A
Qes	N/A
Qts	0.79
Mms	N/A
Cms	N/A
Sd	N/A
Vd	N/A
BL	N/A
Vas	N/A
Xmax	N/A
VC Diameter	30 mm
SPL	N/A
RMS Power Handling	40 watts
Usable Frequency Range (Hz)	N/A

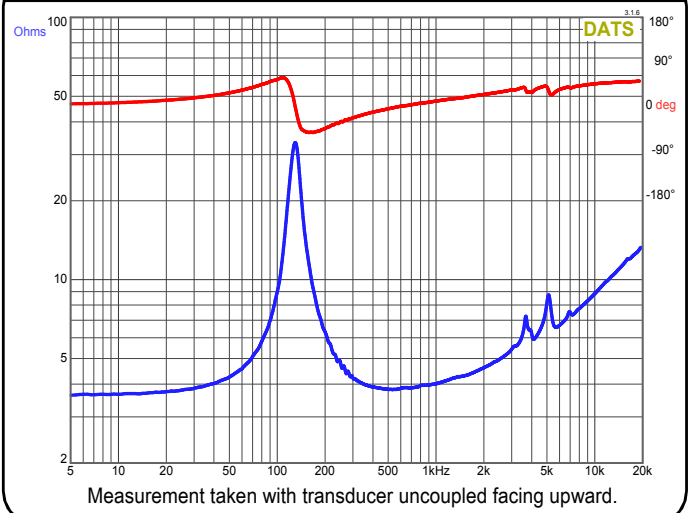
**FEATURES**

- Small size; just under 2" diameter
- Exclusive IMS™ Interchangeable mount allows you to A/B test different exciters
- Rare-earth neodymium motor and a proprietary voice coil
- High output exciter design handles up to 40 watts RMS

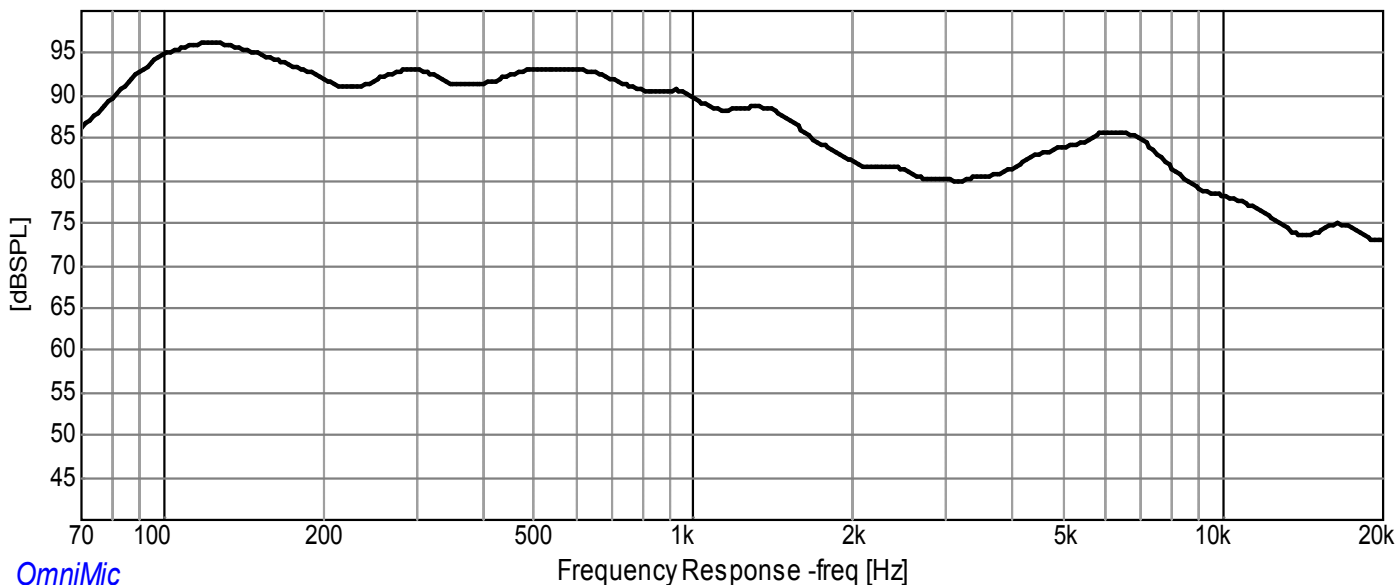
**APPLICATIONS**

- Electronic gaming machines
- Advertising signage
- Point-of-purchase displays
- Multimedia exhibits
- Commercial distributed audio
- Kiosks
- Automotive audio

**IMPEDANCE/PHASE**



**FREQUENCY RESPONSE**



1/3<sup>rd</sup> octave smoothing - measurement taken with transducer adhered off-center on a 12" x 12" x 1/2" foam core board in an infinite baffle setup.

Note: This information is for comparison purposes only, the actual frequency response will depend on many factors of which the diaphragm being the greatest contributor.