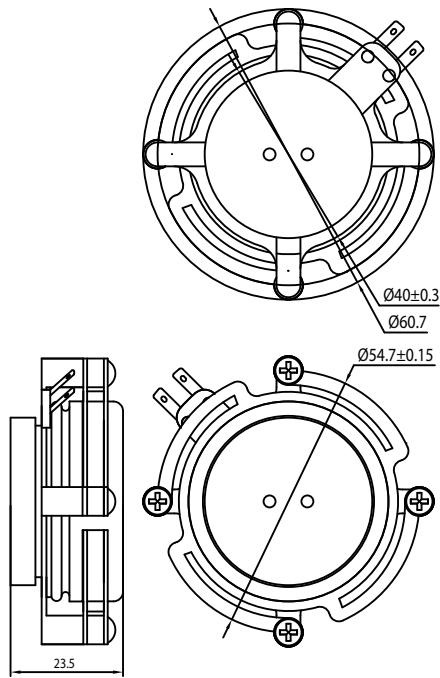




**IMS™ Dual Steel Spring Balanced Interchangeable Hardware Mount 32mm
Exciter 20W 8 Ohm
EX32Q2-8**



PARAMETERS

| | |
|-----------------------------|----------|
| Impedance | 8 ohms |
| Re | 6.5 ohms |
| Le | 0.36 mH |
| Fs | 195 Hz |
| Qms | N/A |
| Qes | N/A |
| Qts | 3.14 |
| Mms | N/A |
| Cms | N/A |
| Sd | N/A |
| Vd | N/A |
| BL | N/A |
| Vas | N/A |
| Xmax | N/A |
| VC Diameter | 32 mm |
| SPL | N/A |
| RMS Power Handling | 20 watts |
| Usable Frequency Range (Hz) | N/A |

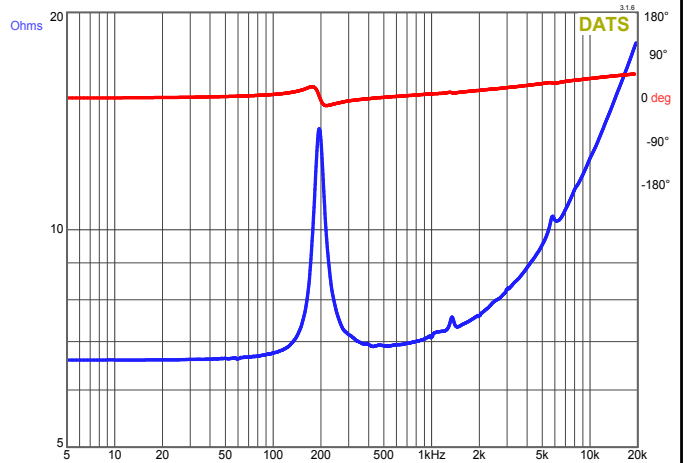
FEATURES

- Dual steel spider design to better support the large motor
- Exclusive IMS™ Interchangeable mount allows you to A/B test different exciters
- Rare-earth neodymium motor and a proprietary voice coil
- 32 mm two layer voice coil for high, 20 watts RMS, power handling

APPLICATIONS

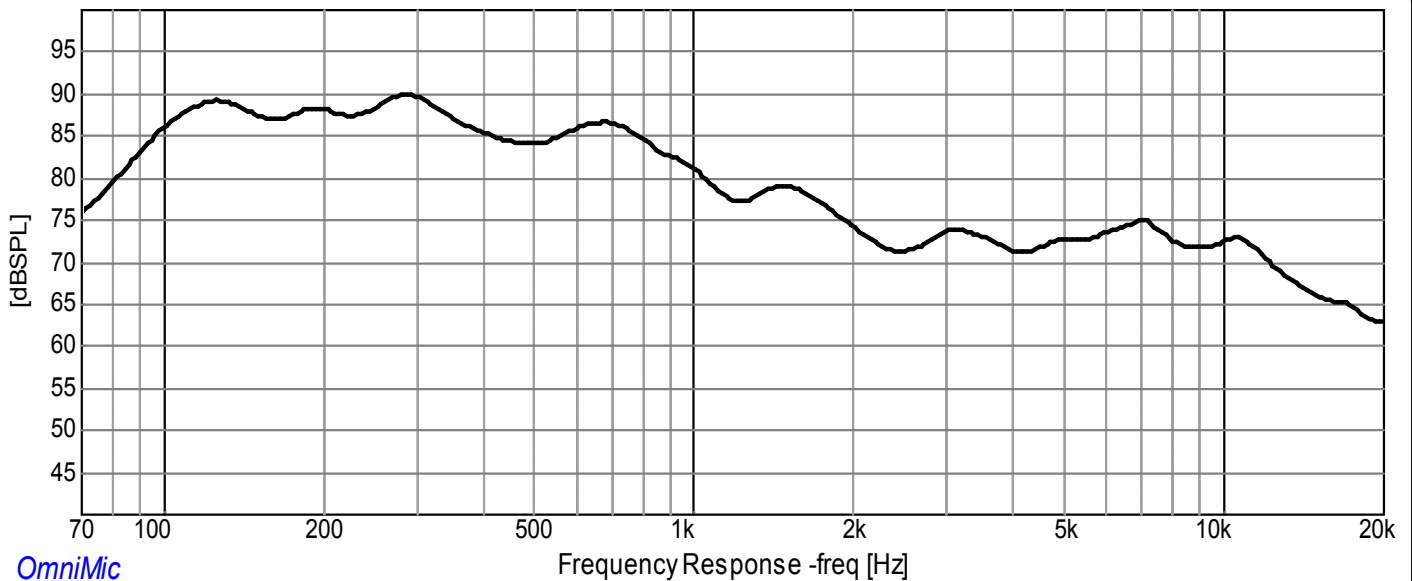
- Electronic gaming machines
- Advertising signage
- Point-of-purchase displays
- Multimedia exhibits
- Commercial distributed audio
- Kiosks
- Automotive audio

IMPEDANCE/PHASE



Measurement taken with transducer uncoupled facing upward.

FREQUENCY RESPONSE



OmniMic

1/3rd octave smoothing - measurement taken with transducer adhered off-center on a 12" x 12" x 1/2" foam core board in an infinite baffle setup.

Note: This information is for comparison purposes only, the actual frequency response will depend on many factors of which the diaphragm being the greatest contributor.