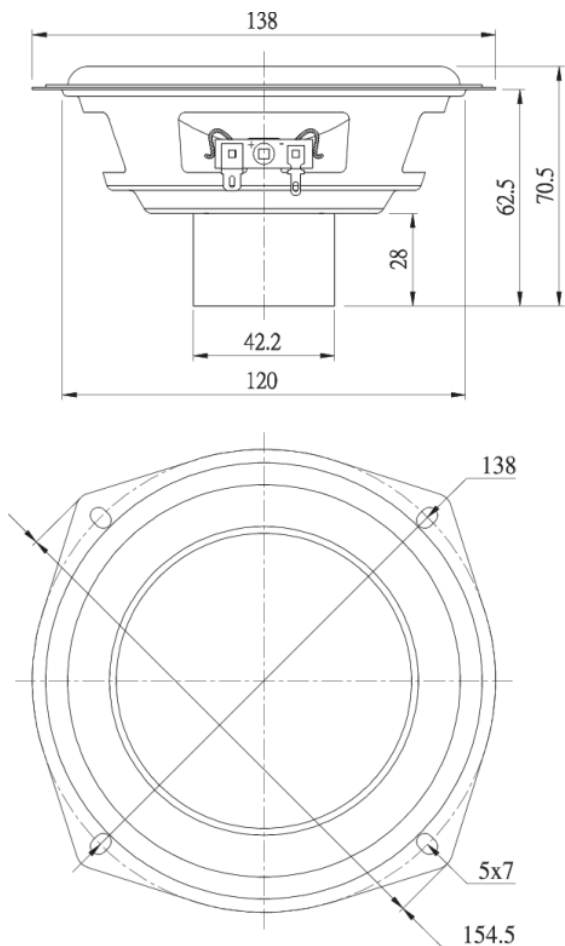




ND140-4 5-1/4" Aluminum Cone Midbass Driver 4 Ohm

ND140-4



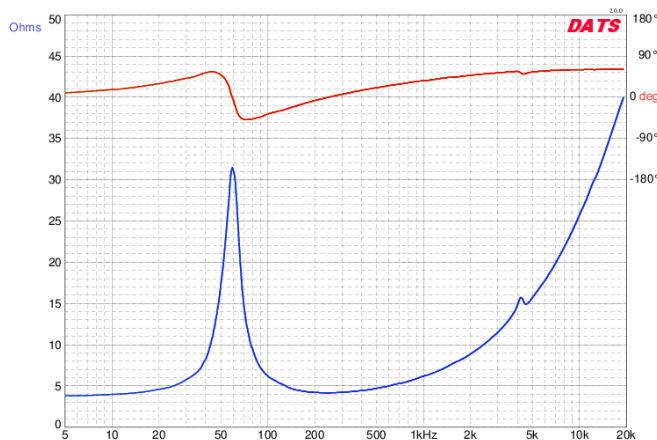
PARAMETERS

Impedance	4 ohms
Re	3.7 ohms
Le	0.79 mH @ 1 kHz
Fs	59.2 Hz
Qms	5.35
Qes	0.72
Qts	0.63
Mms	10.1g
Cms	0.71 mm/N
Sd	86.6 cm ²
Vd	34.6 cm ³
BL	4.42 Tm
Vas	7.22 liters
Xmax	4.0 mm
VC Diameter	1"
SPL	88.4 dB @ 2.83V/1m
RMS Power Handling	40 watts
Usable Frequency Range (Hz)	54 - 8,000 Hz

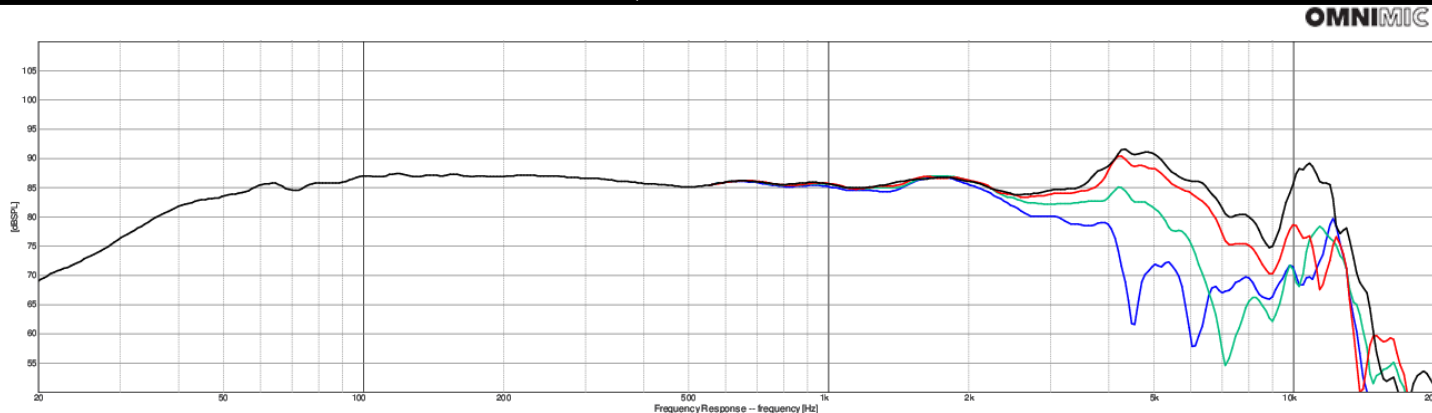
FEATURES

- Extended-range 54 Hz to 8 kHz performance
- Rubber-edged aluminum alloy cone
- Large excursion capability 4 mm Xmax, 20 mm peak
- Self-shielded Neo-Balanced motor structure
- 1" 4-layer underhung voice coil with polyimide former

IMPEDANCE/PHASE



FREQUENCY RESPONSE



Note: 1/24th octave smoothing - nearfield response included in graph below 450 Hz.

Black = 0°
Red = 15°
Green = 30°
Blue = 45°