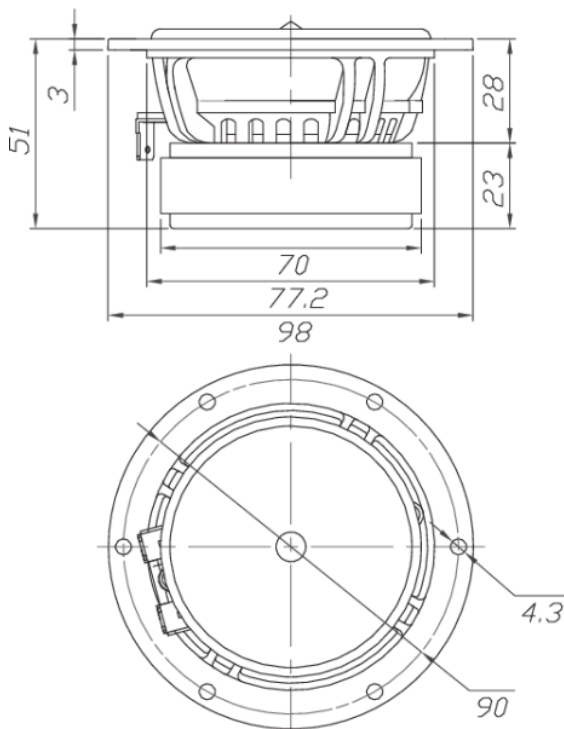




RS100-4 4" Reference Full-Range Driver 4 Ohm

RS100-4



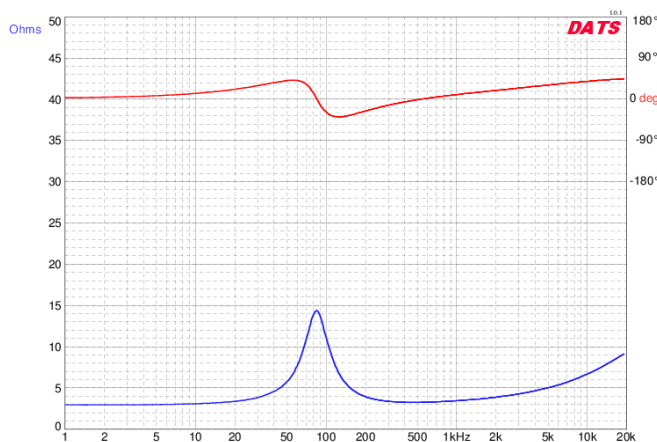
PARAMETERS

| | |
|-----------------------------|----------------------|
| Impedance | 4 ohms |
| Re | 3 ohms |
| Le | 0.28 mH @ 1 kHz |
| Fs | 84.8 Hz |
| Qms | 2.55 |
| Qes | 0.66 |
| Qts | 0.53 |
| Mms | 4.3g |
| Cms | 0.83 mm/N |
| Sd | 35.3 cm ² |
| Vd | 14.1 cm ³ |
| BL | 3.18 Tm |
| Vas | 1.45 liters |
| Xmax | 4.0 mm |
| VC Diameter | 25 mm |
| SPL | 87.5 dB @ 2.83V/1m |
| RMS Power Handling | 30 watts |
| Usable Frequency Range (Hz) | 80 - 20,000 Hz |

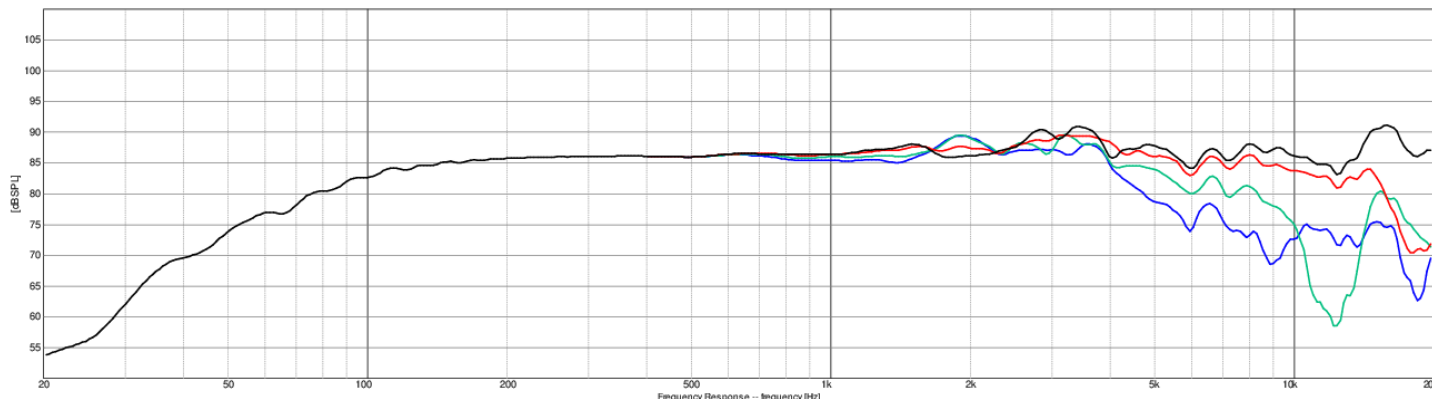
FEATURES

- Full-range capability
- Long-excursion motor and suspension for strong bass performance
- Subtle yet high-tech look makes a bold cosmetic statement
- Designed and engineered in the USA
- Great replacement for the Dayton RS100S-8 4" Reference Shielded Full-Range Driver

IMPEDANCE/PHASE



FREQUENCY RESPONSE



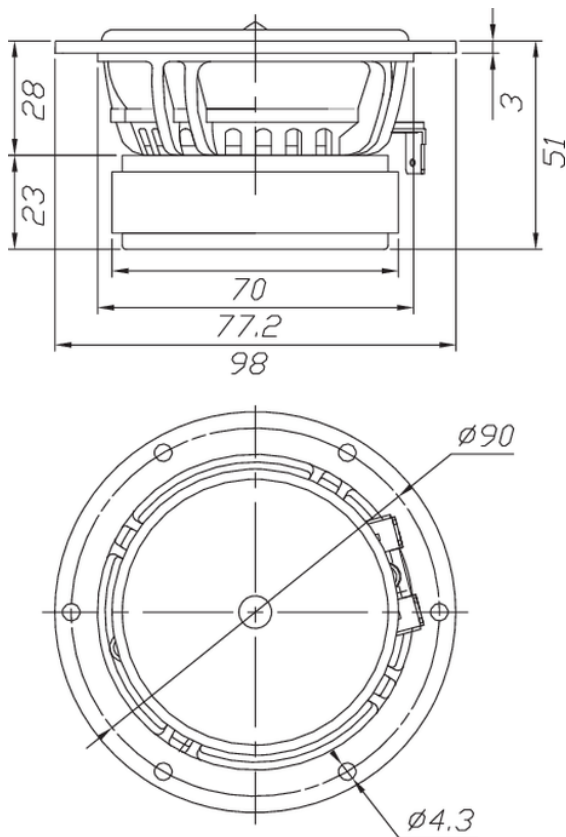
Note: 1/24th octave smoothing - nearfield response included in graph below 450 Hz.

Black = 0°
Red = 15°
Green = 30°
Blue = 45°



RS100-8 4" Reference Full-Range Driver 8 Ohm

RS100-8



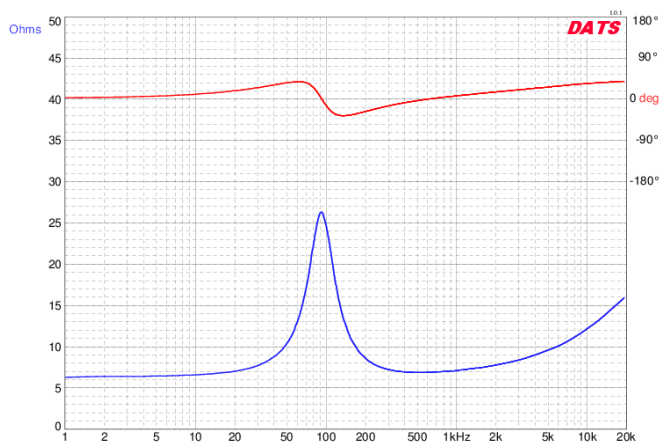
PARAMETERS

| | |
|-----------------------------|----------------------|
| Impedance | 8 ohms |
| Re | 6.4 ohms |
| Le | 0.5 mH @ 1 kHz |
| Fs | 92.2 Hz |
| Qms | 2.37 |
| Qes | 0.76 |
| Qts | 0.58 |
| Mms | 3.63g |
| Cms | 0.82 mm/N |
| Sd | 35.3 cm ² |
| Vd | 12.4 cm ³ |
| BL | 4.2 Tm |
| Vas | 1.43 liters |
| Xmax | 3.5 mm |
| VC Diameter | 25 mm |
| SPL | 84.6 dB @ 2.83V/1m |
| RMS Power Handling | 30 watts |
| Usable Frequency Range (Hz) | 90 - 20,000 Hz |

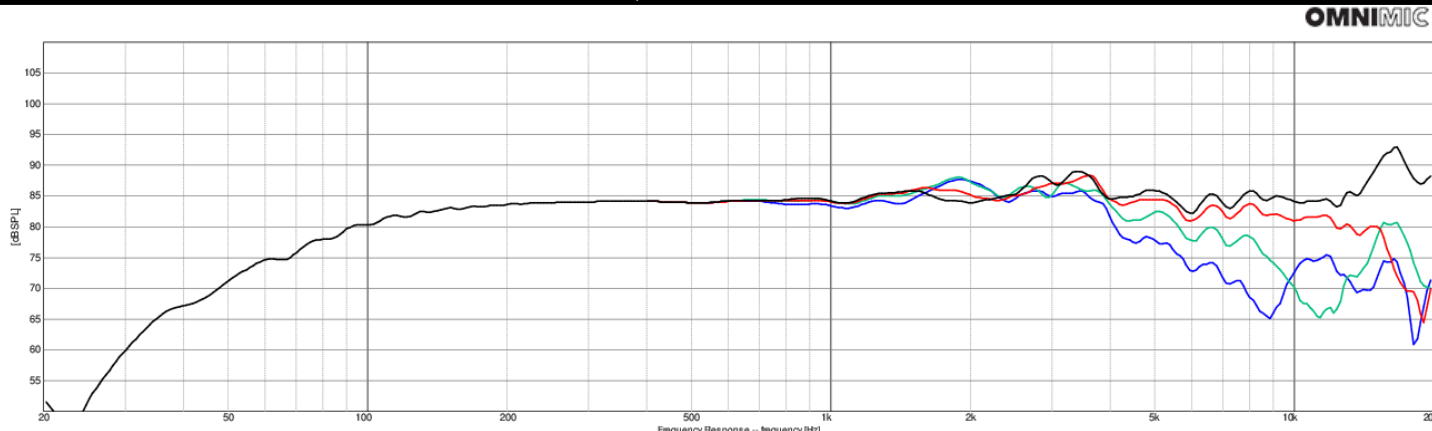
FEATURES

- One of the lowest distortion, highest resolution driver series available
- Low-distortion high-excursion motor system with two short-circuit paths
- Compliant suspension and rigid black anodized aluminum cone for strong bass performance
- Heavy-duty 6-hole cast frame, low-loss rubber surround, and solid aluminum phase plug
- Designed and engineered in the USA

IMPEDANCE/PHASE



FREQUENCY RESPONSE



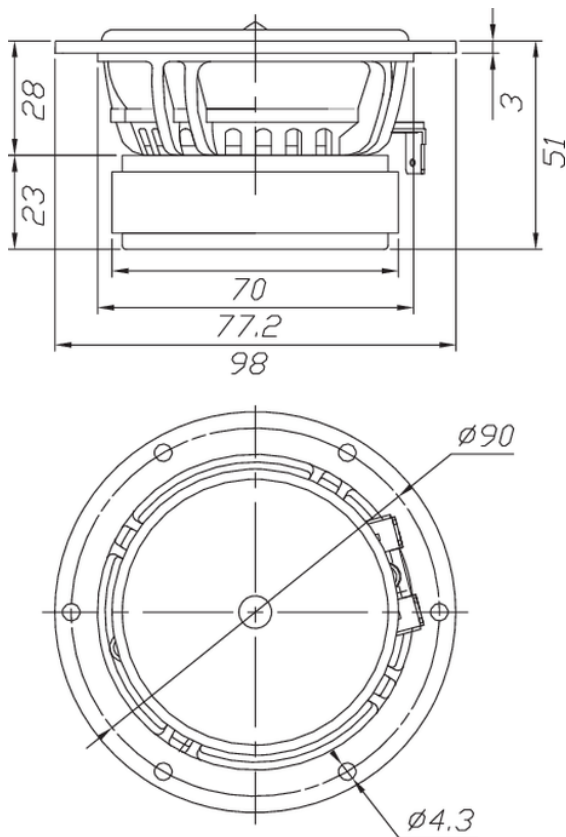
Note: 1/24th octave smoothing - nearfield response included in graph below 450 Hz.

Black = 0°
Red = 15°
Green = 30°
Blue = 45°



RS100P-4 4" Reference Paper Woofer 4 Ohm

RS100P-4



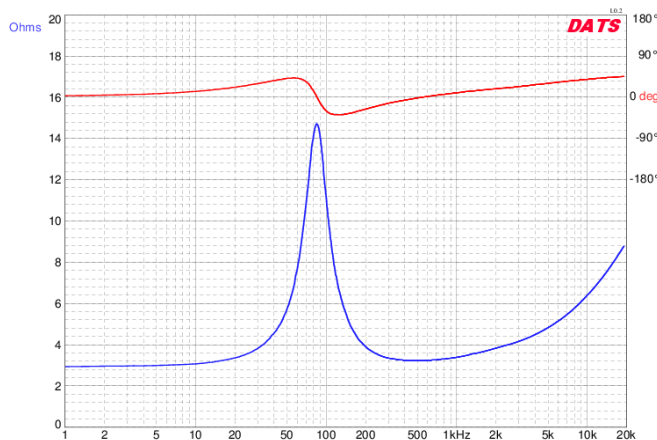
PARAMETERS

| | |
|-----------------------------|----------------------|
| Impedance | 4 ohms |
| Re | 3 ohms |
| Le | 0.26 mH @ 1 kHz |
| Fs | 84.8 Hz |
| Qms | 2.67 |
| Qes | 0.67 |
| Qts | 0.54 |
| Mms | 3.7g |
| Cms | 0.95 mm/N |
| Sd | 36.3 cm ² |
| Vd | 15.0 cm ³ |
| BL | 2.95 Tm |
| Vas | 1.86 liters |
| Xmax | 4.0 mm |
| VC Diameter | 25 mm |
| SPL | 88.5 dB @ 2.83V/1m |
| RMS Power Handling | 30 watts |
| Usable Frequency Range (Hz) | 85 - 13,500 Hz |

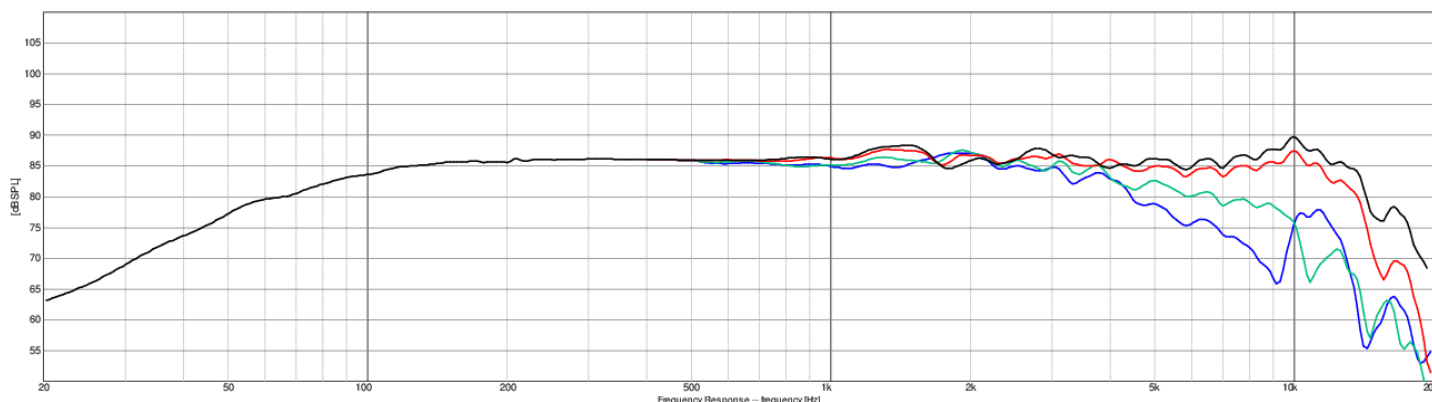
FEATURES

- Three-part paper composite diaphragm featuring paper, Kevlar, and glass fibers
- Similar cosmetics and design features as original Reference Series with low-distortion
- Perfect for use a woofer, midwoofer, or dedicated midrange driver

IMPEDANCE/PHASE



FREQUENCY RESPONSE



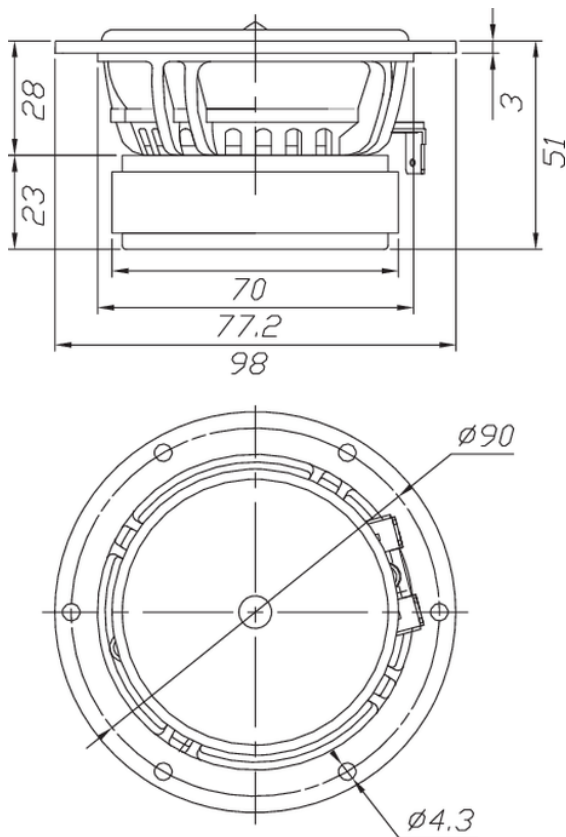
Note: 1/24th octave smoothing - nearfield response included in graph below 450 Hz.

Black = 0°
Red = 15°
Green = 30°
Blue = 45°



RS100P-8 4" Reference Paper Midwoofer 8 Ohm

RS100P-8



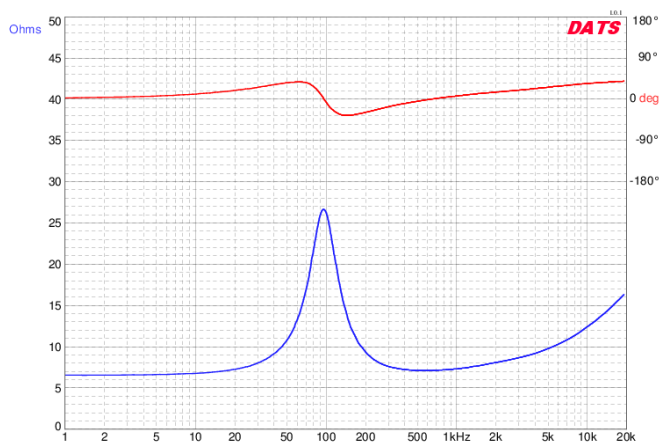
PARAMETERS

| | |
|-----------------------------|----------------------|
| Impedance | 8 ohms |
| Re | 6.6 ohms |
| Le | 0.51 mH @ 1 kHz |
| Fs | 95.6 Hz |
| Qms | 2.18 |
| Qes | 0.71 |
| Qts | 0.54 |
| Mms | 2.8g |
| Cms | 0.98 mm/N |
| Sd | 37.4 cm ² |
| Vd | 13.8 cm ³ |
| BL | 3.95 Tm |
| Vas | 1.82 liters |
| Xmax | 3.7 mm |
| VC Diameter | 25 mm |
| SPL | 86.2 dB @ 2.83V/1m |
| RMS Power Handling | 30 watts |
| Usable Frequency Range (Hz) | 90 - 12,500 Hz |

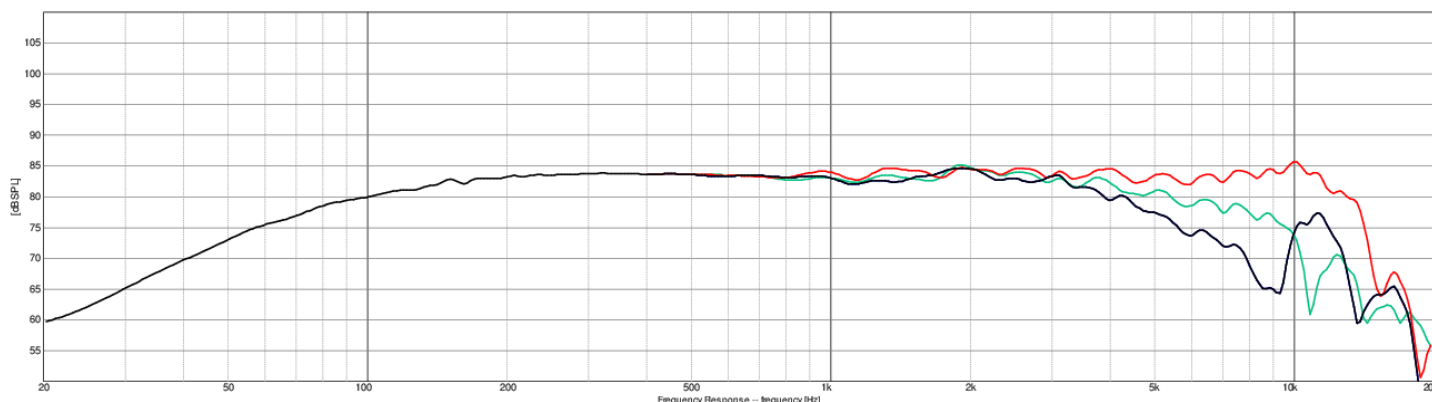
FEATURES

- Three-part paper composite diaphragm featuring paper, Kevlar, and glass fibers
- Similar cosmetics and design features as original Reference Series with low-distortion
- Perfect for use a woofer, midwoofer, or dedicated midrange driver

IMPEDANCE/PHASE



FREQUENCY RESPONSE



Note: 1/24th octave smoothing - nearfield response included in graph below 450 Hz.

Black = 0°
Red = 15°
Green = 30°
Blue = 45°