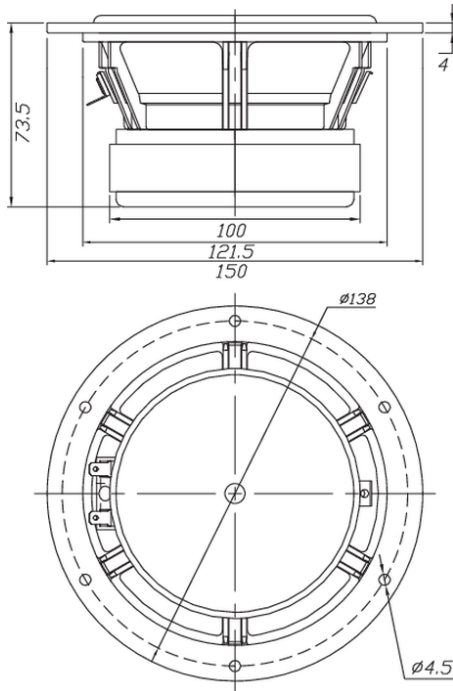




RS150P-4 6" Reference Paper Woofer 4 Ohm



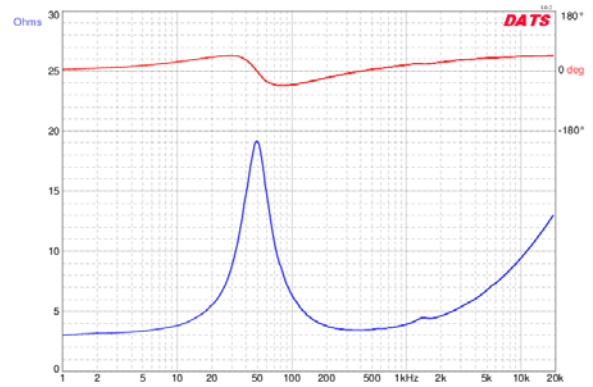
PARAMETERS

Impedance	4 ohms
Re	3.1 ohms
Le	0.38 mH @ 1 kHz
Fs	49.8 Hz
Qms	2.10
Qes	0.41
Qts	0.34
Mms	8.3g
Cms	1.24 mm/N
Sd	85.0 cm ²
Vd	37.4 cm ³
BL	4.45 Tm
Vas	12.5 liters
Xmax	4.4 mm
VC Diameter	25 mm
SPL	91.8 dB @ 2.83V/1m
RMS Power Handling	40 watts
Usable Frequency Range (Hz)	45 - 10,000 Hz

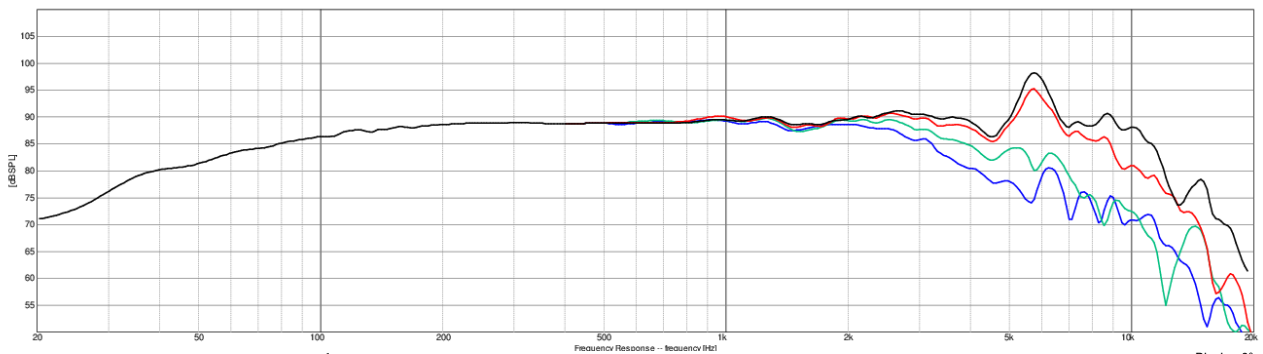
FEATURES

- Three-part paper composite diaphragm featuring paper, Kevlar®, and glass fibers
- Similar cosmetics and design features as original Reference Series with low-distortion motor, 6-hole cast frame, rubber surround, and solid aluminum phase plug
- Perfect for use as a woofer, midwoofer, or dedicated midrange driver
- 90 dB sensitivity and 4.4 mm of excursion

IMPEDANCE/PHASE



FREQUENCY RESPONSE



Note: 1/24th octave smoothing - nearfield response included in graph below 450 Hz.

Black = 0°
Red = 15°
Green = 30°
Blue = 45°