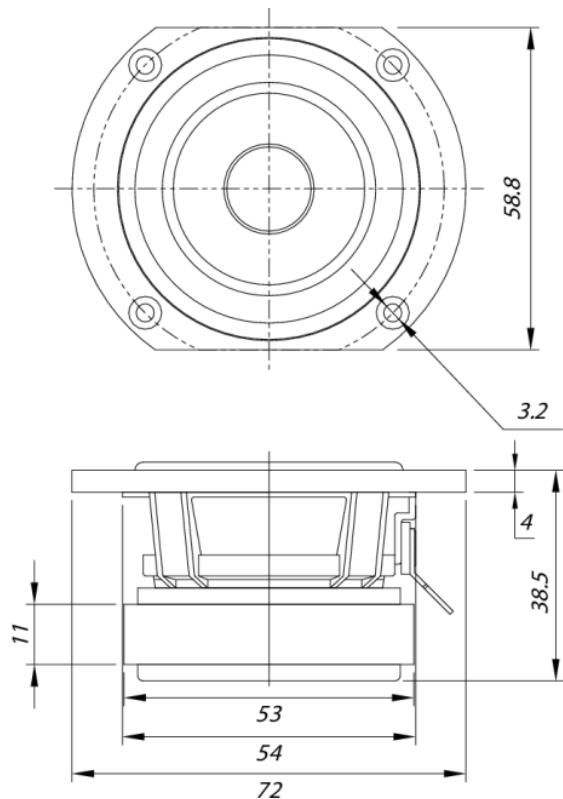




# RS75T-8 3" Reference Full-Range Truncated Frame 8 Ohm

RS75T-8



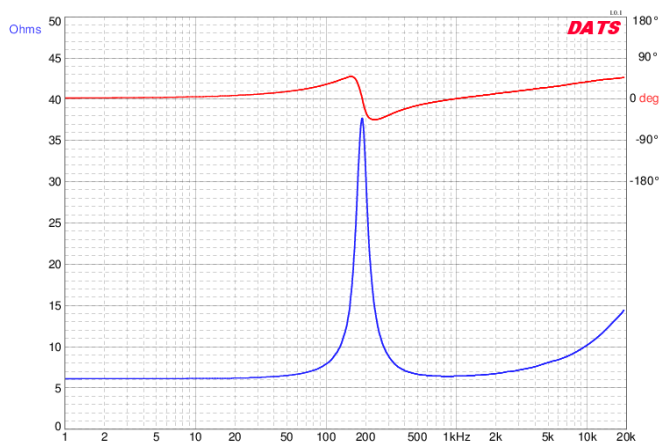
## PARAMETERS

|                             |                      |
|-----------------------------|----------------------|
| Impedance                   | 8 ohms               |
| Re                          | 6.1 ohms             |
| Le                          | 0.32 mH @ 1 kHz      |
| Fs                          | 189 Hz               |
| Qms                         | 5.84                 |
| Qes                         | 1.13                 |
| Qts                         | 0.95                 |
| Mms                         | 1g                   |
| Cms                         | 0.69 mm/N            |
| Sd                          | 12 cm <sup>2</sup>   |
| Vd                          | 1.56 cm <sup>3</sup> |
| BL                          | 2.58 Tm              |
| Vas                         | 0.22 liters          |
| Xmax                        | 1.3 mm               |
| VC Diameter                 | 16 mm                |
| SPL                         | 84.3 dB @ 2.83V/1m   |
| RMS Power Handling          | 15 watts             |
| Usable Frequency Range (Hz) | 170 - 20,000 Hz      |

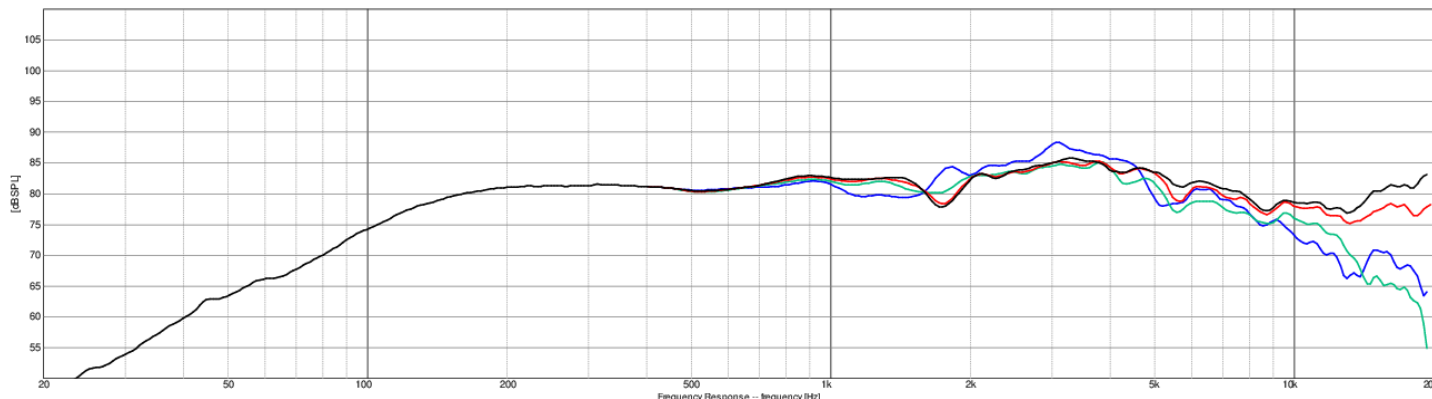
## FEATURES

- Truncated cast frame—great for line arrays and MTM speaker designs
- Full-range performance
- Low distortion and high resolution
- Aluminum frame, aluminum cone, rubber surround
- Distortion-reducing copper ring, copper cap, and aluminum phase plug

## IMPEDANCE/PHASE



## FREQUENCY RESPONSE



Note: 1/24<sup>th</sup> octave smoothing - nearfield response included in graph below 450 Hz.

Black = 0°  
Red = 15°  
Green = 30°  
Blue = 45°