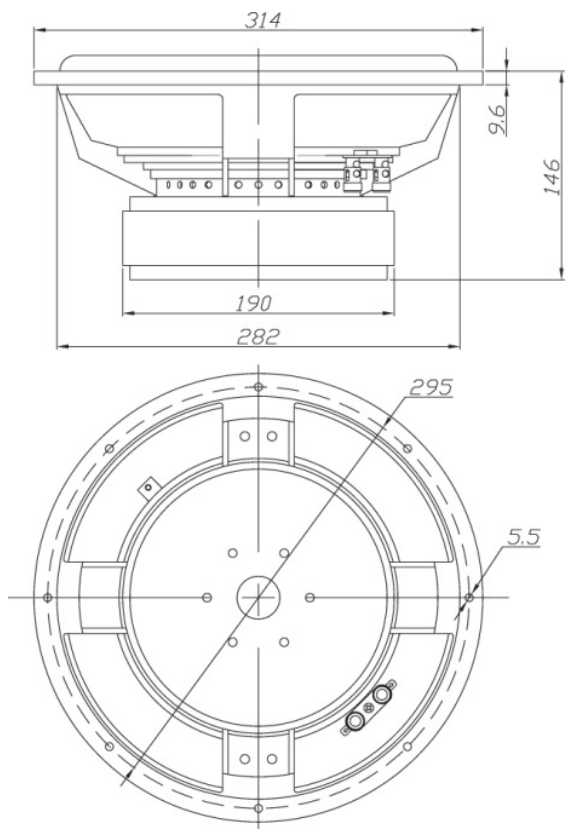




# RSS315HF-4 12" Reference HF Subwoofer 4 Ohm

RSS315HF-4



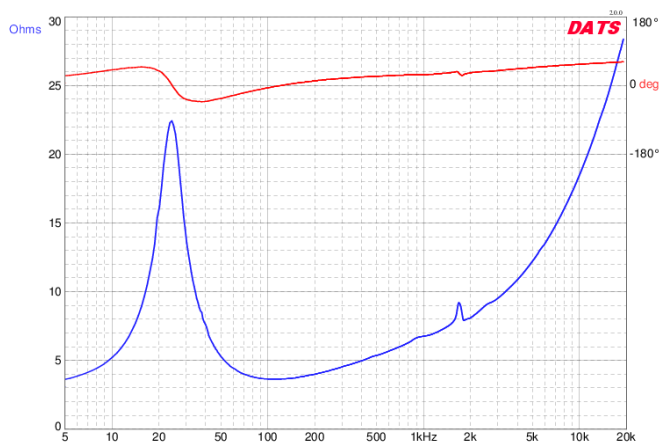
## PARAMETERS

Impedance	4 ohms
Re	3.1 ohms
Le	0.96 mH @ 1 kHz
Fs	24.2 Hz
Qms	2.83
Qes	0.45
Qts	0.39
Mms	188g
Cms	0.23 mm/N
Sd	514.7 cm <sup>2</sup>
Vd	736.0 cm <sup>3</sup>
BL	13.99 Tm
Vas	84.1 liters
Xmax	14.3 mm
VC Diameter	64 mm
SPL	90.3 dB @ 2.83V/1m
RMS Power Handling	400 watts
Usable Frequency Range (Hz)	23 - 1,000 Hz

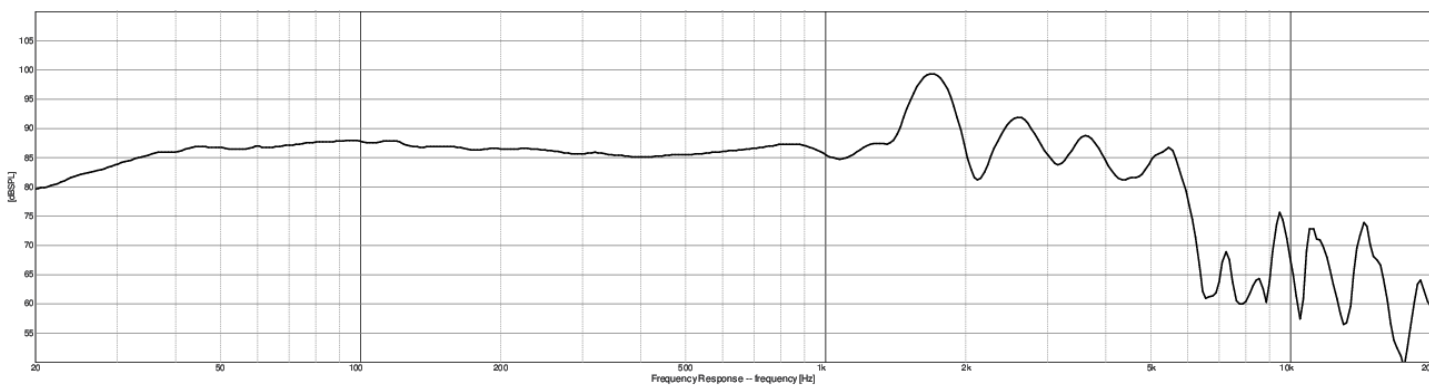
## FEATURES

- Extensively vented motor eliminates compression and allows quiet excursion
- Lightweight black anodized aluminum cone for rigidity and lower moving mass
- Triple shorting ring motor for ultra-low distortion
- 2-layer coil for reduced back EMF
- Suitable for sealed or vented enclosures

## IMPEDANCE/PHASE



## FREQUENCY RESPONSE



Note: 1/24<sup>th</sup> octave smoothing - nearfield response included in graph below 450 Hz.

Black = 0°