



4-ZONE WI-FI SMART STREAMER

Model: WFA400 User Manual

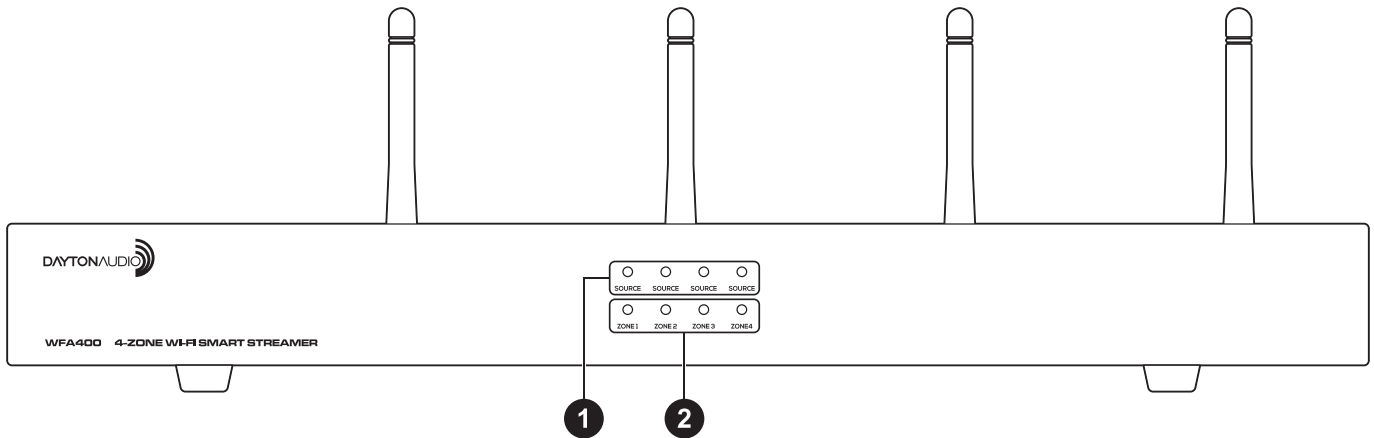


Thank you for purchasing the Dayton Audio WFA400 4-Zone Wi-Fi Smart Streamer. This multi-zone pre-amp is ideal for commercial and residential applications. The WFA400 is compatible with the Hi-Fly app for convenient control over all your zones individually or all zones together in multi-room audio mode.

Package Contents:

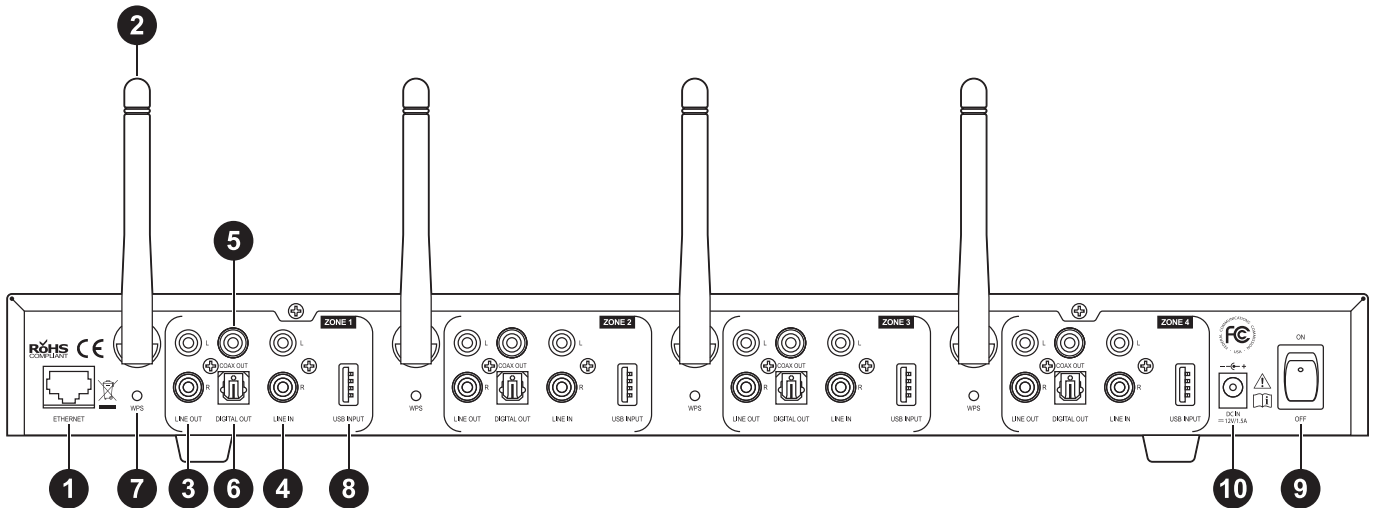
- WFA400 4-Zone Wi-Fi Smart Streamer
- 12VDC 1.5A Power Supply
- 2 x Removable Rack Ears
- Manual

WFA400 Features:



Front Panel:

1. Zone Audio Source Indicators
 - Blue/Wi-Fi
 - Red/Line-In
 - Purple/USB
2. Zone Power Indicators



Rear panel:

1. Ethernet: LAN input
2. Antenna (Zone 1-4): Wi-Fi antenna
3. Line Out (Zone 1-4): RCA stereo output
4. Line In (Zone 1-4): RCA stereo input
5. Coax Out (Zone 1-4): Coaxial output
6. Digital Out (Zone 1-4): Digital optical output
7. WPS button (Zone 1-4): Press to connect to WPS enabled network
8. USB Input (Zone 1-4): Read U disk function, does not support USB charging
9. Power switch: Turns device on/off
10. DC In: 12V/1.5A

Getting Started

Remove the WFA400 from the box and inspect the device to make sure it is free of any damage and that all package contents are accounted for. Place the WFA400 in your desired location and plug the included power supply into the WFA400 and an available outlet. The next step is to connect the WFA400 to your network for streaming and control of each zone using the Hi-Fly app.

Wi-Fi connectivity: Wireless Multi-Room Audio

1. Download and install the Hi-Fly app by scanning the QR code or search "Hi-Fly" in the app store/Google Play store.
2. Follow the setup instructions in the Hi-Fly app to connect to your Wi-Fi network.

Each zone will need to be connected the Wi-Fi router individually, repeat setup instructions for zone 1-4.

LAN connectivity:

1. Download and install the Hi-Fly app by scanning the QR code or search "Hi-Fly" in the app store/Google Play store.
2. Connect the WFA400 to your router using the RJ45 Ethernet port on the rear panel.
3. LAN connection will automatically setup all zones. Ensure your mobile device is connected to the same network and open the Hi-Fly control app.

See below for a wire diagram and connection options.

Dayton Hi-Fly App

Download the Dayton Audio Hi-Fly app using the QR code or visit the App Store or Play Store and search for Hi-Fly.

For questions or additional product information please visit:
<http://www.daytonaudio.com/index.php/hi-fly-multi-room>.

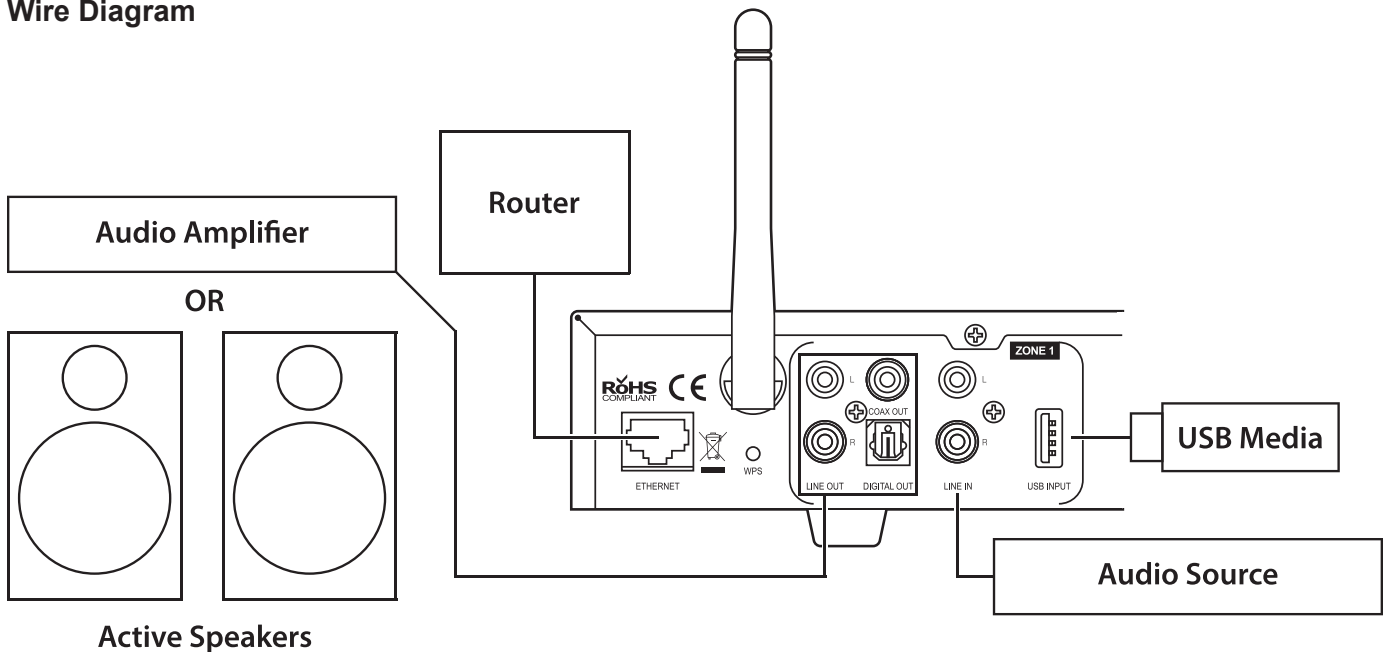


iOS



Android

Wire Diagram



Connections

Lan Port

This port allows you to plug the WFA400 directly into your network. Once the WFA400 is connected it should automatically detect and setup all four zones. The zones will be displayed in the device menu of the Hi-Fly app. Please ensure that your phone or wireless device is connected to the same network.

Wi-Fi

If you choose to set up the WFA400 wirelessly, each zone will need to be setup individually through the Hi-Fly app. Open the app and follow the on-screen instructions for wireless setup of each zone.

Line Out

Connect the analog line output to any line level input on your audio amplifier or powered speakers. This line level output will be the most commonly used audio connection and will work with most audio devices.

Digital Coax Out

The digital coax output can be used if your audio amplifier has a digital coax input. Digital coax can handle two or more channels of audio through a single cable. This cable shares the same RCA connectors as a line level cable, but will only work when plugged into a digital coax input.

Digital Optical Out

The digital optical output connection will be available on most modern audio amplifiers. This uses a toslink-type fiber optic cable instead of copper-stranded RCA patch cables like line level or coax.

Line In

This allows an outside line level source (CD player, computer, TV etc.) to be added to each zone as an additional source of music. This input can be selected in the "Music" menu of the Hi-Fly app (*See images below).

USB (Media player)

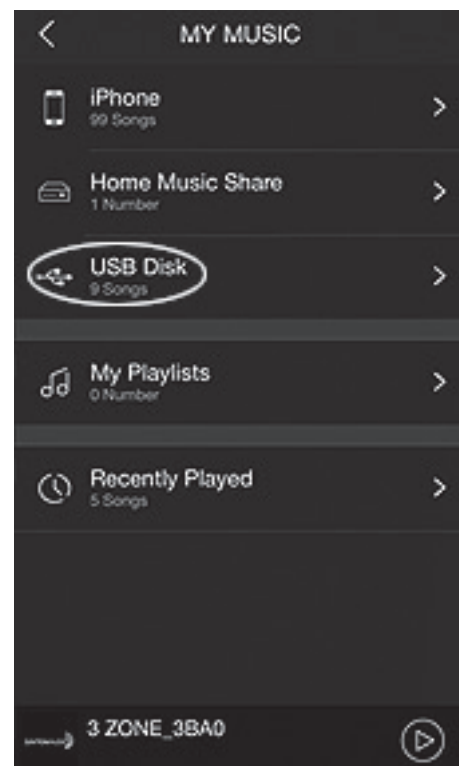
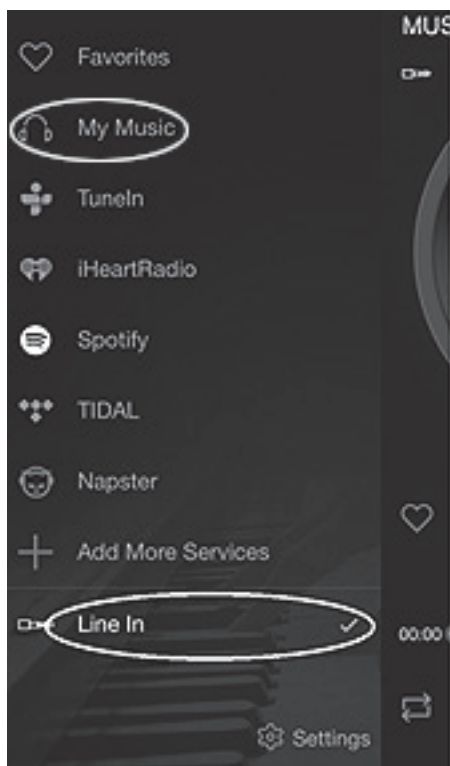
Plug in a USB thumb drive for an additional source of music. This input can be selected in the "My Music" menu of the Hi-Fly app (**See images below).

*Selecting Line Input via Hi-Fly app:

First connect the external audio source to the line input of the zone you choose for audio playback. Open the Hi-Fly app and find the Zone in the device menu and select the Line In option from the music menu.

**Selecting USB input via Hi-Fly app:

First connect the USB media device to the zone you choose for audio playback. Open the Hi-Fly app and select "My Music" from the music menu, choose USB DISK to select the songs from the USB media device.



Important Safety Instructions

To reduce the risk of electric shock, do not remove cover. No user serviceable parts inside. Refer servicing to qualified personnel. To reduce the risk of fire and shock do not expose unit to rain or moisture. The unit should be connected to an earth grounded AC electrical socket. The unit should be operated in a well ventilated area. Minimum clearance is 2 inches from the ventilation openings.



FCC Statement

1. This device complies with Part 15 of the FCC Rules. Operation is subject to the following two conditions:

- (a) This device may not cause harmful interference.
- (b) This device must accept any interference received, including interference that may cause undesired operation.

2. FCC Radiation Exposure Statement: Mobile device.

This equipment complies with FCC radiation exposure limits set forth for an uncontrolled environment. In order to avoid the possibility of exceeding the FCC radio frequency exposure limits, human proximity to the antenna shall not be less than 20cm (8 inches) during normal operation.

5-Year Limited Warranty

See daytonaudio.com for details



daytonaudio.com
tel + 937.743.8248
info@daytonaudio.com

705 Pleasant Valley Dr.
Springboro, OH 45066
USA