

Model No.: SDS-P830878  
 Product Line: Peerless

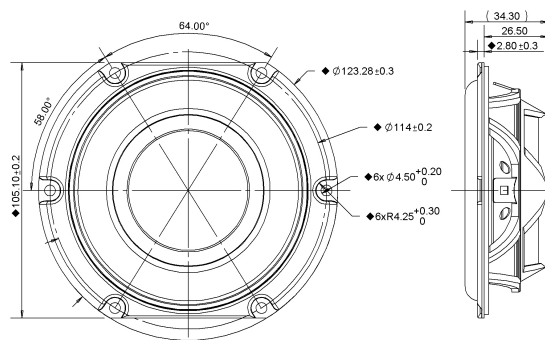
Rev: 1  
 Last Update: 2017-04-25 14:32:09

## Product Description

This 4 inch member of the SDS family is a passive radiator, designed to match up with SDS subwoofers, and features a coated paper cone with rubber surround, and a narrow-profile steel basket shaped to fit into narrow cabinets.



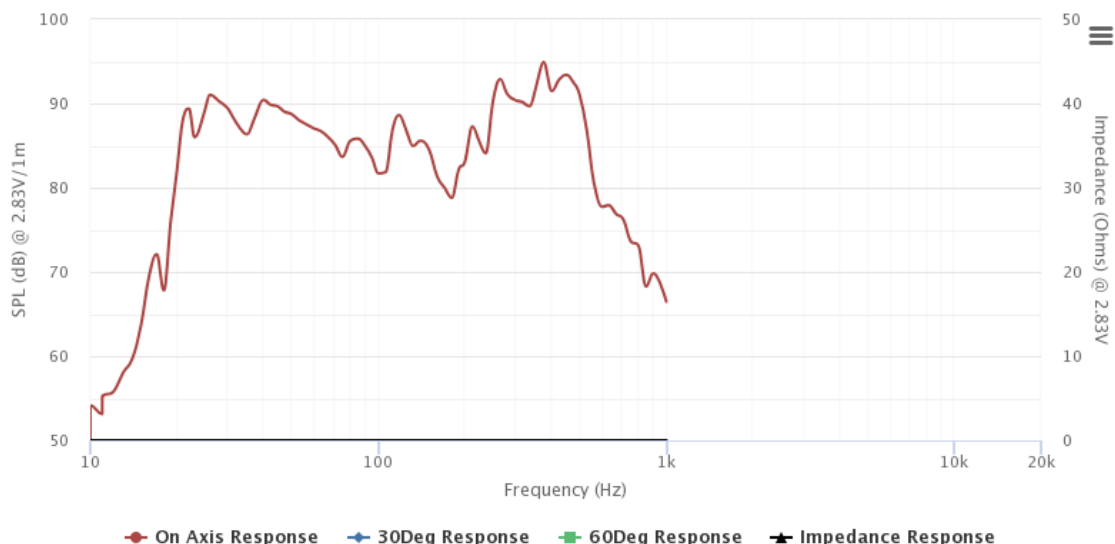
## Mechanical Drawing



## Specifications

|                               |             |        |       |           |                            |      |                          |
|-------------------------------|-------------|--------|-------|-----------|----------------------------|------|--------------------------|
| DC Resistance                 | Revc        | Ohms   | 0     | 5.0%      | Energy Bandwidth Product   | EBP  | (1/Qes)*fs               |
| Minimum Impedance             | Zmin        | Ohms   | 0     | 7.5%      | Moving Mass                | Mms  | g                        |
| Voice Coil Inductance         | Le          | mH     | 0     |           | Suspension Compliance      | Cms  | um/N                     |
| Resonant Frequency            | Fs          | Hz     | 0     | 15%       | Effective Cone diameter    | D    | cm                       |
| Mechanical Q Factor           | Qms         |        | 0     |           | Effective Piston Area      | Sd   | cm <sup>2</sup>          |
| Electrical Q Factor           | Qes         |        | 0     |           | Effective Volume           | Vas  | L                        |
| Total Q Factor                | Qts         |        | 0     |           | Motor Force Factor         | BL   | Tm                       |
| Ratio Fs/Qts                  | F           | Fs/Qts |       |           | Motor Efficiency Factor    | β    | (T*M <sup>2</sup> )/Ohms |
| Half Space Sensitivity @2.83V | db@2.83V/1M | dB     | 27.04 | +/- 1.0db | Voice coil former Material | VCfm |                          |
| Half Space Sensitivity @1W/1M | db@1W/1M    | dB     | 0     | +/- 1.0db | Voice coil inner diameter  | VCd  | mm                       |
| Gap Height                    | Gh          | mm     | 0     |           | Rated Noise Power          | P    | W                        |
| Maximum Linear Excursion      | Xmax        | mm     | 0     |           | Test Spectrum Bandwidth    |      |                          |
| Ferrofluid Type               | FF          |        |       |           | Driver Size                | Inch | 4 in                     |
| Driver Mass                   | Kg          |        | 0.1   |           |                            |      |                          |

## Frequency and Impedance Response



Highcharts.com