

Model No.: PLS-P830987
 Product Line: Peerless

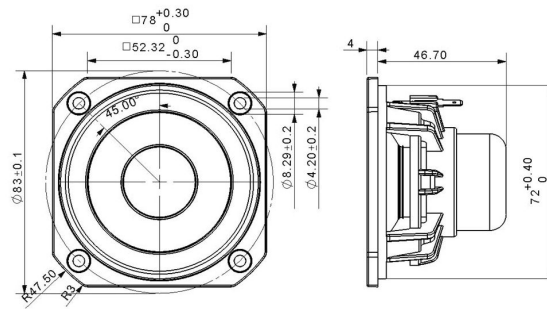
Rev: 1
 Last Update: 2017-03-03 02:00:02

Product Description

This 3 inch 8 ohm member of the PLS family sets a high standard, for compact full range drivers intended for applications such as television soundbars and compact music systems. Design features in this family include a damped plastic basket with venting under the spider to aid cooling of the motor, a neodymium magnet motor with copper cap to lower coil inductance, providing low distortion at low frequencies and extended high frequency response. A black anodized aluminium cone is employed on the driver, along with a black anodized aluminium dust cap coupled directly to the voice coil. Additionally, the cones come equipped with special-designed large roll rubber surrounds, which allow for a dynamic linear response to high excursion input signals.



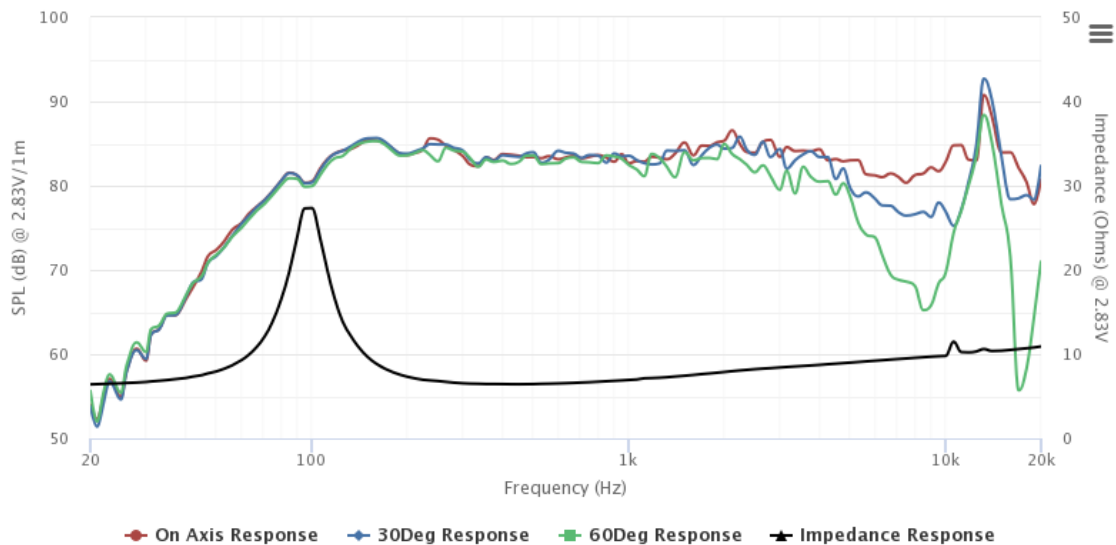
Mechanical Drawing



Specifications

| | | | | | | | |
|-------------------------------|-------------|--------|--------|-----------|----------------------------|------|---------------|
| DC Resistance | Revc | Ohms | 6.15 | 5.0% | Energy Bandwidth Product | EBP | (1/Qes)*fs |
| Minimum Impedance | Zmin | Ohms | 6.43 | 7.5% | Moving Mass | Mms | g |
| Voice Coil Inductance | Le | mH | 0.05 | | Suspension Compliance | Cms | um/N |
| Resonant Frequency | Fs | Hz | 107.97 | 15% | Effective Cone diameter | D | cm |
| Mechanical Q Factor | Qms | | 6.19 | | Effective Piston Area | Sd | cm^2 |
| Electrical Q Factor | Qes | | 1.14 | | Effective Volume | Vas | L |
| Total Q Factor | Qts | | 0.97 | | Motor Force Factor | BL | Tm |
| Ratio Fs/Qts | F | Fs/Qts | 111.89 | | Motor Efficiency Factor | β | (T*M^2)/Ohms |
| Half Space Sensitivity @2.83V | db@2.83V/1M | dB | 83.56 | +/- 1.0db | Voice coil former Material | VCfm | ASV |
| Half Space Sensitivity @1W/1M | db@1W/1M | dB | 82.6 | +/- 1.0db | Voice coil inner diameter | VCd | mm |
| Gap Height | Gh | mm | 4 | | Rated Noise Power | P | W |
| Maximum Linear Excursion | Xmax | mm | 2.1 | | Test Spectrum Bandwidth | | 100Hz - 20kHz |
| Ferrofluid Type | FF | | | | Driver Size | Inch | 3 in |
| Driver Mass | Kg | | 0.22 | | | | |

Frequency and Impedance Response



Highcharts.com