

Model Number: BC25SG18-04  
Product Line: Peerless PAE

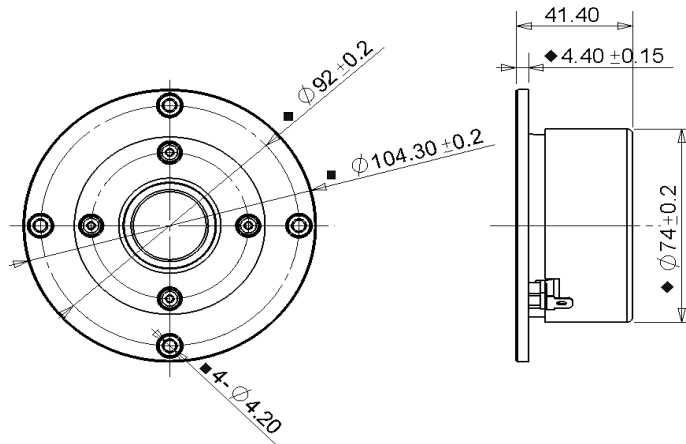


**Product Description:**

This BC family tweeter features a 4 ohm 25 mm voice coil, a damped fabric dome for smooth frequency response performance, and ferrofluid in the gap of the shielded ferrite magnet motor, providing enhanced cooling of the voice coil. The tweeter's faceplate features recessed mounting holes, to hide mounting screws and minimize reflections.



**Mechanical 2D Drawing:**



**Specifications:**

DC Resistance	$R_{evc}$	$\Omega$	2.9	5.0%	Energy Bandwidth Product	EBP	$(1/Q_{es})f_s$	892
Minimum Impedance	$Z_{min}$	$\Omega$	3.7	7.5%	Moving Mass	$M_{ms}$	g	0.36
Voice Coil Inductance	$L_e$	mH	0.02		Suspension Compliance	$C_{ms}$	um/N	61.1
Resonant Frequency	$f_s$	Hz	1070	15.0%	Effective Cone Diameter	D	cm	3.2
Mechanical Q Factor	$Q_{ms}$	-	2.4		Effective Piston Area	$S_D$	cm <sup>2</sup>	8.2
Electrical Q Factor	$Q_{es}$	-	1.20		Equivalent Volume	$V_{as}$	L	0.01
Total Q Factor	$Q_{ts}$	-	0.80		Motor Force Factor	BL	T·m	2.44
Ratio $f_s / Q_{ts}$	F	$f_s / Q_{ts}$	1341		Motor Efficiency Factor	$\beta$	$(T \cdot m^2) / \Omega$	2.03
Half Space Sensitivity @ 2.83V	$dB @ 2.83V/1m$	dB	93.9	+/-1.0 <sup>1</sup>	Voice Coil Former Material	$VC_{fm}$	-	ASV
Sensitivity @ 1W/1m	$1W/1m$	dB	89.6	+/-1.0 <sup>1</sup>	Voice Coil Inner Diameter	$VC_{id}$	mm	25.4
					Gap Height	Gh	mm	3.0
Rated Noise Power (IEC 2685 18.1)	P	W	50		Maximum Linear Excursion	$X_{max}$	mm	0.50
Test Spectrum Bandwidth	1kHz - 20kHz	12 dB/Oct			Ferrofluid Type	FF		APG027
					Transducer Size	-	inch	1
					Transducer Mass	-	kg	0.66

1 - Piston Band Sensitivity Tolerance

**Frequency and Impedance Response:**

