

Model No.: DX20BF00-04  
 Product Line: Tymphany

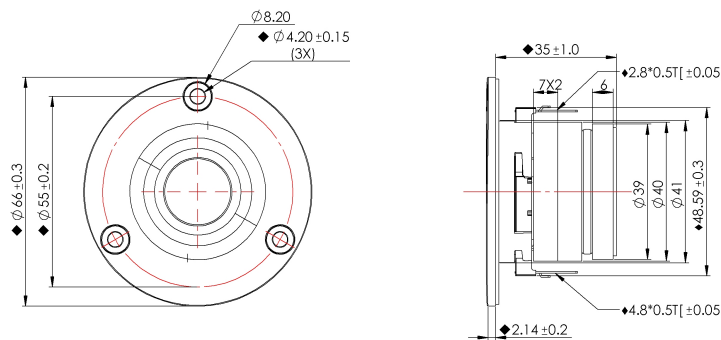
Rev: 1  
 Last Update: 2017-04-25 14:32:09

## Product Description

This DX family tweeter features a 19mm 4 ohm voice coil, a damped silk diaphragm with large surround roll to produce a low resonant frequency, and a ferrite magnet motor which adds heat sinking for power handling capacity. The faceplate features recessed mounting holes to minimize reflections.



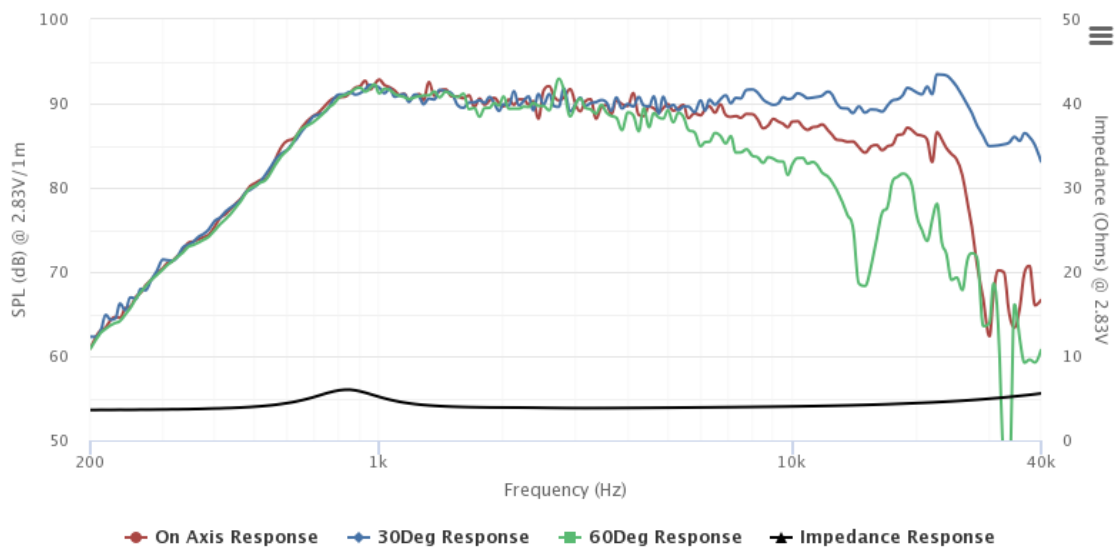
## Mechanical Drawing



## Specifications

DC Resistance	Revc	Ohms	2.81	5.0%	Energy Bandwidth Product	EBP	(1/Qes)*fs
Minimum Impedance	Zmin	Ohms	3.83	7.5%	Moving Mass	Mms	g
Voice Coil Inductance	Le	mH	0.01		Suspension Compliance	Cms	um/N
Resonant Frequency	Fs	Hz	822.14	15%	Effective Cone diameter	D	cm
Mechanical Q Factor	Qms		2.24		Effective Piston Area	Sd	cm <sup>2</sup>
Electrical Q Factor	Qes	2.93			Effective Volume	Vas	L
Total Q Factor	Qts		1.27		Motor Force Factor	BL	Tm
Ratio Fs/Qts	F	Fs/Qts	647.35		Motor Efficiency Factor	$\beta$	(T*M <sup>2</sup> )/Ohms
Half Space Sensitivity @2.83V	db@2.83V/1M	dB	90.14	+/- 1.0db	Voice coil former Material	VCfm	ASV
Half Space Sensitivity @1W/1M	db@1W/1M	dB	86.9	+/- 1.0db	Voice coil inner diameter	VCd	mm
Gap Height	Gh	mm	2		Rated Noise Power	P	W
Maximum Linear Excursion	Xmax	mm	0.2		Test Spectrum Bandwidth		2.5KHz-20KHz
Ferrofluid Type	FF		APG027N		Driver Size		19 mm
Driver Mass	Kg	0.17					

## Frequency and Impedance Response



Highcharts.com