

Model No.: XXLS-P830845

Rev: 1

Product Line: Peerless

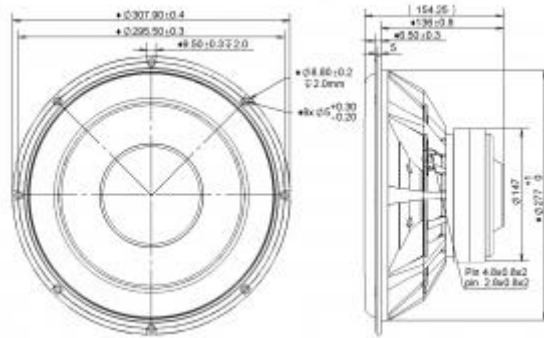
Last Update: 2017-04-25 14:32:09

Product Description

The 12 inch 8 ohm member XXLS product family has all the design features suitable for a high performance, high excursion subwoofer driver. The motor features a double ferrite magnet motor, supporting high excursion, and aluminium shorting rings and pole extenders, lowering and linearizing the inductance of the overhung voice coil. The light stiff composite paper cone is vented under the dust cap, to reduce air compression. The suspension system features a low-creep rubber surround, and a nomex spider, ensuring long-term reliability under high power conditions. The product also features a rigid cast aluminium basket.



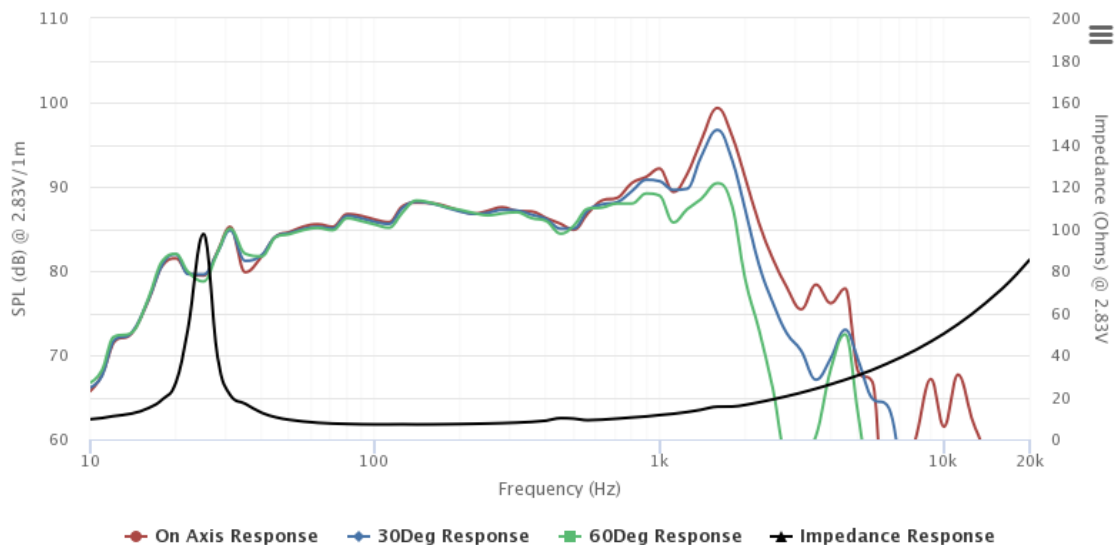
Mechanical Drawing



Specifications

| | | | | | | | |
|-------------------------------|-------------|--------|-------|-----------|----------------------------|------|--------------|
| DC Resistance | Revc | Ohms | 5.66 | 5.0% | Energy Bandwidth Product | EBP | (1/Qes)*fs |
| Minimum Impedance | Zmin | Ohms | 7.09 | 7.5% | Moving Mass | Mms | g |
| Voice Coil Inductance | Le | mH | 0.79 | | Suspension Compliance | Cms | um/N |
| Resonant Frequency | Fs | Hz | 27.04 | 15% | Effective Cone diameter | D | cm |
| Mechanical Q Factor | Qms | | 8.55 | | Effective Piston Area | Sd | cm^2 |
| Electrical Q Factor | Qes | | 0.55 | | Effective Volume | Vas | L |
| Total Q Factor | Qts | | 0.52 | | Motor Force Factor | BL | Tm |
| Ratio Fs/Qts | F | Fs/Qts | 52 | | Motor Efficiency Factor | β | (T*M^2)/Ohms |
| Half Space Sensitivity @2.83V | db@2.83V/1M | dB | 87.45 | +/- 1.0db | Voice coil former Material | VCfm | GSV |
| Half Space Sensitivity @1W/1M | db@1W/1M | dB | 86.9 | +/- 1.0db | Voice coil inner diameter | VCd | mm |
| Gap Height | Gh | mm | 8 | | Rated Noise Power | P | W |
| Maximum Linear Excursion | Xmax | mm | 12.5 | | Test Spectrum Bandwidth | | 20Hz - 2kHz |
| Ferrofluid Type | FF | | | | Driver Size | | Inch |
| Driver Mass | Kg | | 6.36 | | | | |

Frequency and Impedance Response



Highcharts.com