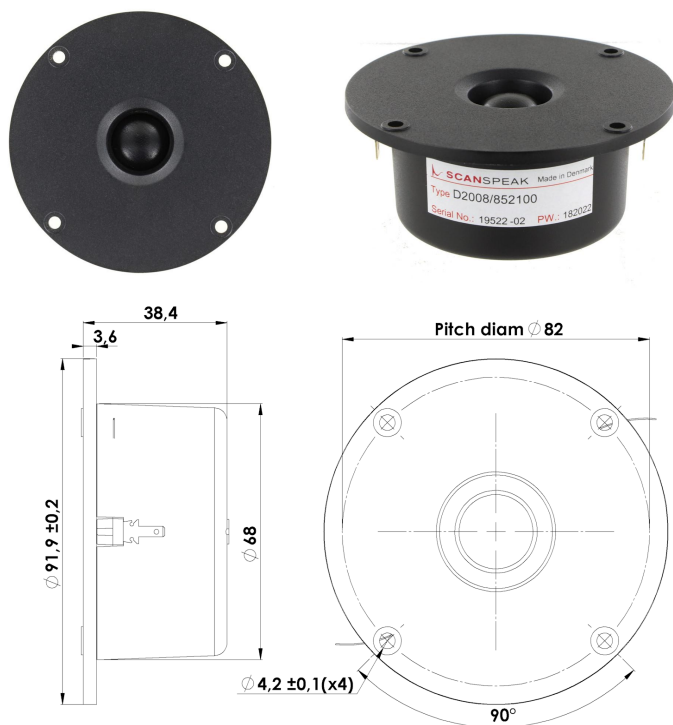


## 19 mm Dome Tweeter

## D2008/852100



### Key Features:

- 3/4" Textile Dome Diaphragm
- Wide Dispersion
- Dual Rear Chamber
- Vented Pole Piece
- Neodymium Magnet

### Recommendations (please see Tech Note):

- Operating frequency range: 4000-20000 Hz
- Cabinet volume - closed box: N.a.
- Cabinet volume - vented box: N.a.

### T-S Parameters:

|                               |                     |
|-------------------------------|---------------------|
| Resonance frequency [fs]      | 550 Hz              |
| Mechanical Q factor [Qms]     | 1.61                |
| Electrical Q factor [Qes]     | 0.71                |
| Total Q factor [Qts]          | 0.49                |
| Force factor [Bl]             | 2.4 Tm              |
| Mechanical resistance [Rms]   | 0.43 kg/s           |
| Moving mass [Mms]             | 0.2 g               |
| Compliance [Cms]              | 0.42 mm/N           |
| Effective diaph. diameter [D] | 22 mm               |
| Effective piston area [Sd]    | 3.8 cm <sup>2</sup> |
| Equivalent volume [Vas]       | 0.01 l              |
| Sensitivity (2,83V/1m)        | 89 dB               |

### Mechanical Data:

|                             |          |
|-----------------------------|----------|
| Voice coil diameter         | 19.4 mm  |
| Voice coil height           | 2.9 mm   |
| Voice coil layers           | 2        |
| Gap height                  | 1.9 mm   |
| Linear excursion            | ± 0.5 mm |
| Max mech. excursion         | ± 1.2 mm |
| Unit weight                 | 0.23 kg  |
| Cabinet Displacement Volume | 0.13 l   |

### Electrical Data:

|                            |         |
|----------------------------|---------|
| Nominal impedance [Zn]     | 8 Ω     |
| Minimum impedance [Zmin]   | 6.9 Ω   |
| Maximum impedance [Zo]     | 21.1 Ω  |
| DC resistance [Re]         | 5.9 Ω   |
| Voice coil inductance [Le] | 0.08 mH |

### Power Handling:

|  |       |
|--|-------|
| 100h RMS noise test (IEC 18.4)         | 90 W  |
| Long-term max power (IEC 18.2)         | 150 W |
| X-over: 2. order HP Butterworth, 4 kHz |       |

