

Model No.: BC25SG15-04

Rev: 1

Product Line: Tymphany

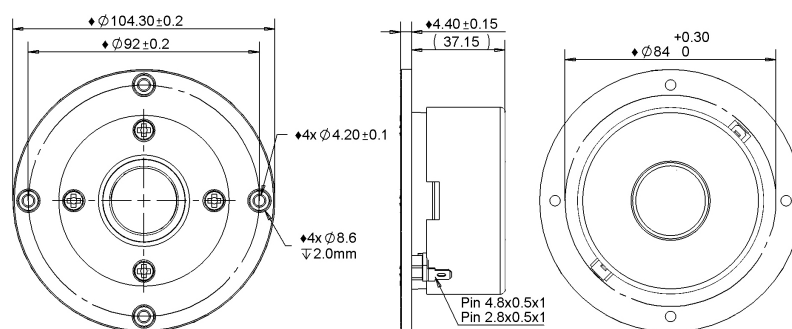
Last Update: 2017-04-25 14:32:09

## Product Description

This BC family tweeter features a 4 ohm 25 mm voice coil, a damped fabric dome for smooth frequency response performance, and ferrofluid in the gap of the shielded ferrite magnet motor, providing enhanced cooling of the voice coil. The tweeter's faceplate features recessed mounting holes, to hide mounting screws and minimize reflections.



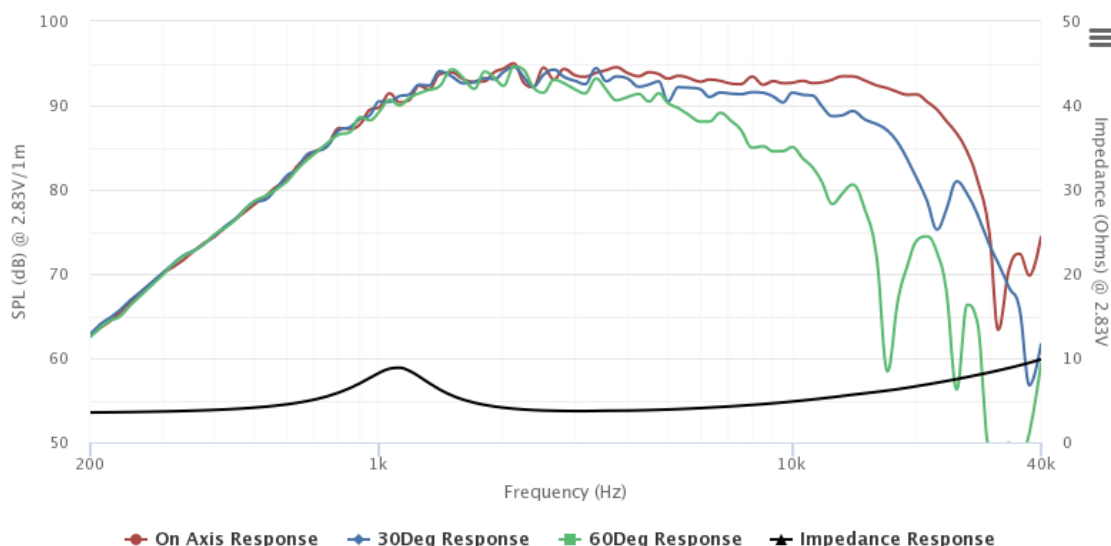
## Mechanical Drawing



## Specifications

DC Resistance	Revc	Ohms	2.93	5.0%	Energy Bandwidth Product	EBP	(1/Qes)*fs	892.41
Minimum Impedance	Zmin	Ohms	3.72	7.5%	Moving Mass	Mms	g	0.4
Voice Coil Inductance	Le	mH	0.02		Suspension Compliance	Cms	um/N	61.1
Resonant Frequency	Fs	Hz	1067.72	15%	Effective Cone diameter	D	cm	3.24
Mechanical Q Factor	Qms		2.39		Effective Piston Area	Sd	cm <sup>2</sup>	8.2
Electrical Q Factor	Qes	1.2			Effective Volume	Vas	L	0.01
Total Q Factor	Qts	0.8			Motor Force Factor	BL	Tm	2.44
Ratio Fs/Qts	F	Fs/Qts	1338		Motor Efficiency Factor	$\beta$	(T*M <sup>2</sup> )/Ohms	2
Half Space Sensitivity @2.83V	db@2.83V/1M	dB	93.88	+/- 1.0db	Voice coil former Material	VCfm		ASV
Half Space Sensitivity @1W/1M	db@1W/1M	dB	90.5	+/- 1.0db	Voice coil inner diameter	VCd	mm	25.4
Gap Height	Gh	mm	3		Rated Noise Power	P	W	50
Maximum Linear Excursion	Xmax	mm	0.6		Test Spectrum Bandwidth		1kHz - 20kHz	
Ferrofluid Type	FF		APG027		Driver Size	Inch	25 mm	
Driver Mass	Kg	0.66						

## Frequency and Impedance Response



Highcharts.com