

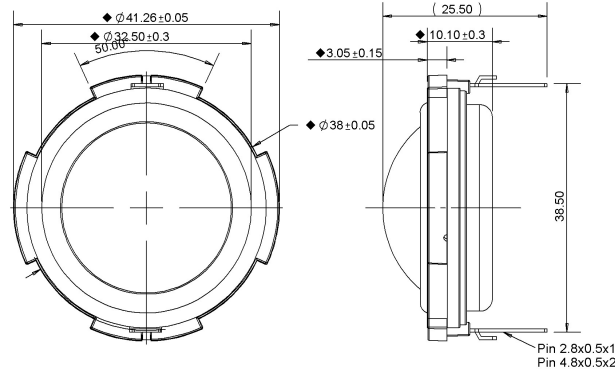
Tweeter

This OC family tweeter features a 25 mm 4 ohm voice coil, a damped fabric dome for smooth frequency response performance, and ferrofluid in the gap of the neodymium magnet motor, providing enhanced cooling of the voice coil. The tweeter comes with a twist-lock mating feature, to allow for easy installation into custom faceplates.



OC25SC65-04

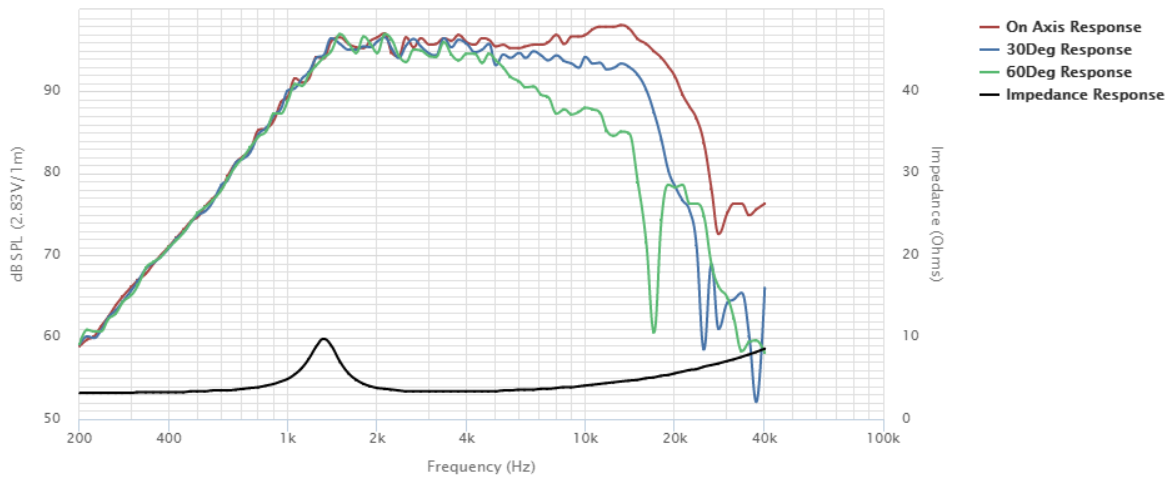
MECHANICAL 2D DRAWING



SPECIFICATIONS

DC Resistance	Revc	Ω	3	$\pm 5.0\%$	Moving Mass	Mms	g	0.3
Minimum Impedance	Zmin	Ω	3.35	$\pm 7.5\%$	Suspension Compliance	Cms	um/N	42.7
Voice Coil Inductance	Le	mH	0.02	-	Effective Cone Diameter	D	cm	2.97
Resonant Frequency	fs	Hz	1382.22	15%	Effective Piston Area	Sd	cm ²	6.9
Mechanical Q Factor	Qms	-	4.07	-	Equivalent Volume	Vas	L	0
Electrical Q Factor	Qes	-	1.83	-	Motor Force Factor	BL	T•m	2.1
Total Q Factor	Qts	-	1.26	-	Motor Efficiency Factor	β	(T•m ²)/ Ω	1.5
Ratio	fs/Qts	-	1093.53	-	Voice Coil Former Material	VCfm	-	ASV
Half Space Sensitivity	dB@2.83V/1m	dB	96.23	± 1.01	Voice Coil Inner Diameter	VCd	mm	25.4
Sensitivity	1W/1m	dB	92.4	± 1.01	Gap Height	Gh	mm	0
Rated Noise Power (IEC 268-5 18.1)	P	W	25	-	Maximum Linear Excursion	Xmax	mm	1
Test Spectrum Bandwidth		12 dB/Oct	1.3kHz - 20kHz	-	Ferrofluid Type	FF	-	
Energy Bandwidth Product	EBP	(1/Qes)•fs		-	Transducer Size	-	-	25 mm
				-	Transducer Mass	-	Kg	0.05

FREQUENCY & IMPEDANCE RESPONSE



Highcharts.com