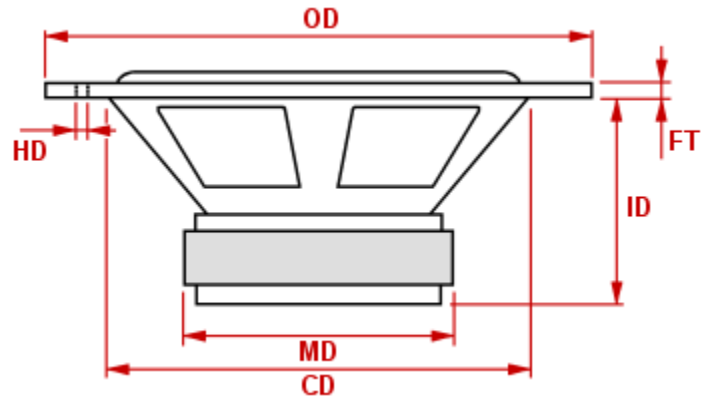


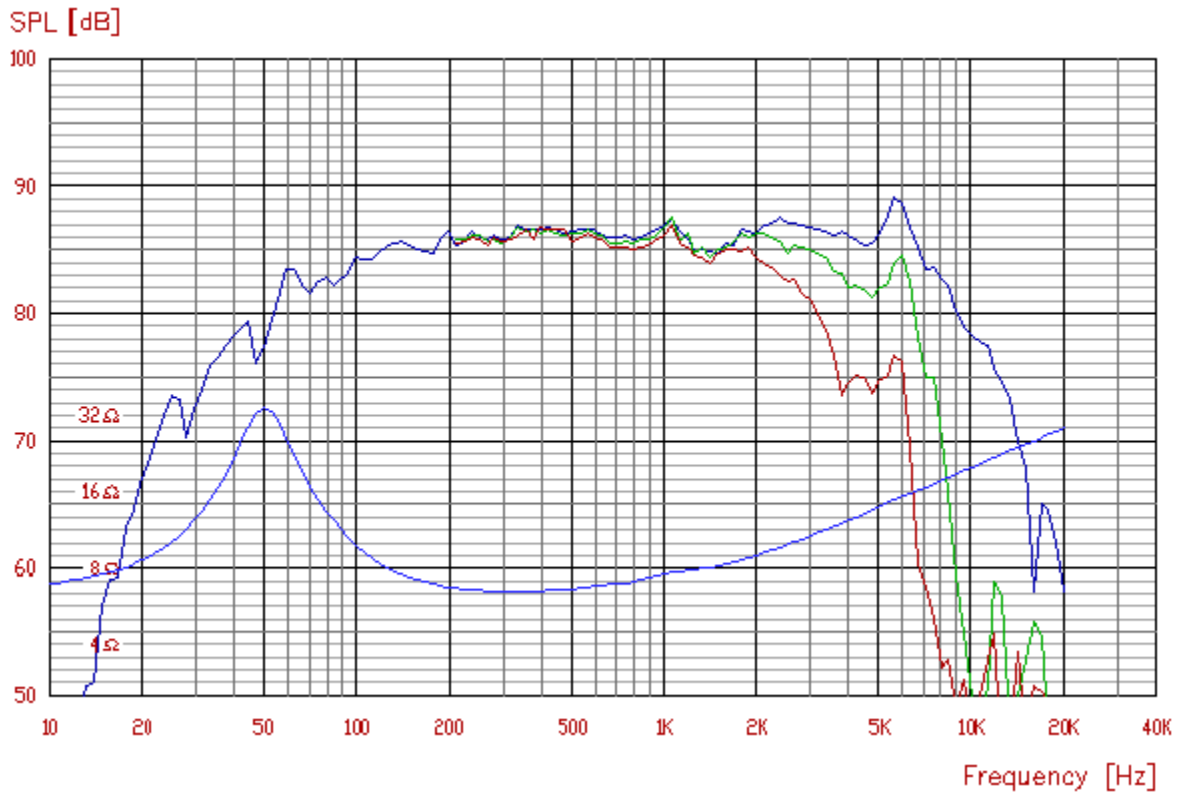


# PL14WJ09-08

Nominal impedance [ohm]	8
Voice coil resistance [ohm]	5.8
Nominal power [W]	50
Short term max power [W]	250
Long term max power [W]	200
Operating power [W]	10
Sensitivity [dB]	86
Frequency range [Hz]	45-5000
Free air resonance [Hz]	47
Voice coil diameter [mm]	32
Voice coil height [mm]	10
Air gap height [mm]	4
Voice coil inductance [mH]	0.49
Eff. diaphragm Area [cm <sup>2</sup> ]	80
Moving mass [g]	8.2
Magnet weight [g]/[oz]	415/14.5
Force factor [Bl]	5.5
VAS [l]	13
Qms	2.20
Qes	0.46
Qts	0.38



<b>OD:</b> 149 mm	<b>CD:</b> 115 mm
<b>FT:</b> 4.5 mm	<b>ID:</b> 61 mm
<b>MD:</b> 86.5 mm	<b>HD:</b> -



Frequency response: 2.83V / 1m

