

# Sound Columns

## Description

Gone are the days of bulky sound columns that perform well only for speech. The modern installer/contractor and their clients demand slim, sleek, compact enclosures which offer excellent reproduction for both music and speech. The Australian Monitor Installation Series CS210 and CS420 Sound Columns deliver on all counts.

Both models feature a two-way design of 3" drivers and a tweeter. They both include 100V transformers with tapings, IP66 ratings for outdoor use, a very flexible swivel bracket, sleek, white aluminum finish and a smooth, refined sound.

## CS210

The CS210 features 2 cone speakers plus a tweeter. The 100V line tapings are 10, 5, 2.5 and 1.25 watts. The unit is very compact with dimensions of just 395 H x 114 W x 96 D (mm).

## CS420

The CS420 features 4 cone speakers plus a tweeter. The 100V line tapings are 20, 10, 5 and 2.5 watts. The unit is also very compact with dimensions of just 770 H x 114 W x 96 D (mm).

## Specifications - CS210

<b>Components</b>	Two 3" drivers and a tweeter
<b>Power Rating</b>	10W
<b>Selectable Power Tapings</b>	10W, 5W, 2.5W, 1.25W
<b>Frequency Response</b>	130Hz - 20kHz
<b>Sensitivity (1W/1m)</b>	92dB
<b>Max SPL (at 1m)</b>	102dB
<b>Dimensions (mm)</b>	395 H x 114 W x 96 D
<b>Weight</b>	2.8kg
<b>Weather and Dust Rating</b>	IP66

## Specifications - CS420

<b>Components</b>	Four 3" drivers and a tweeter
<b>Power Rating</b>	20W
<b>Selectable Power Tapings</b>	20W, 10W, 5W, 2.5W
<b>Frequency Response</b>	120Hz - 20kHz
<b>Sensitivity (1W/1m)</b>	94dB
<b>Max SPL (at 1m)</b>	107dB
<b>Dimensions (mm)</b>	585 H x 114 W x 96 D
<b>Weight</b>	4.2kg
<b>Weather and Dust Rating</b>	IP66

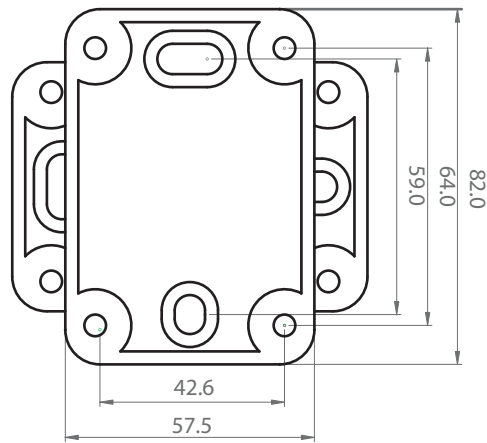
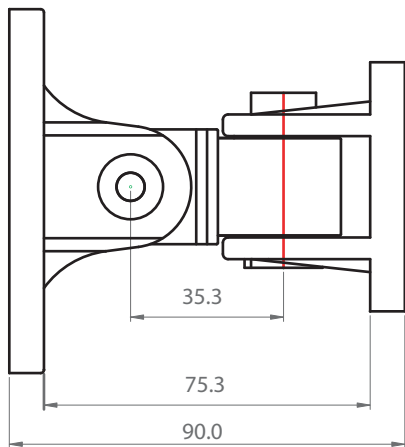




**AUSTRALIAN  
MONITOR**  
INTEGRATION INTELLIGENCE



Nylon Multi Bracket in Black ( RAL 9005)  
Nylon Multi Bracket in White ( RAL 9016)



Unit: mm

Broken tested up to 45.4 kgs (100 lbs).

# CS420

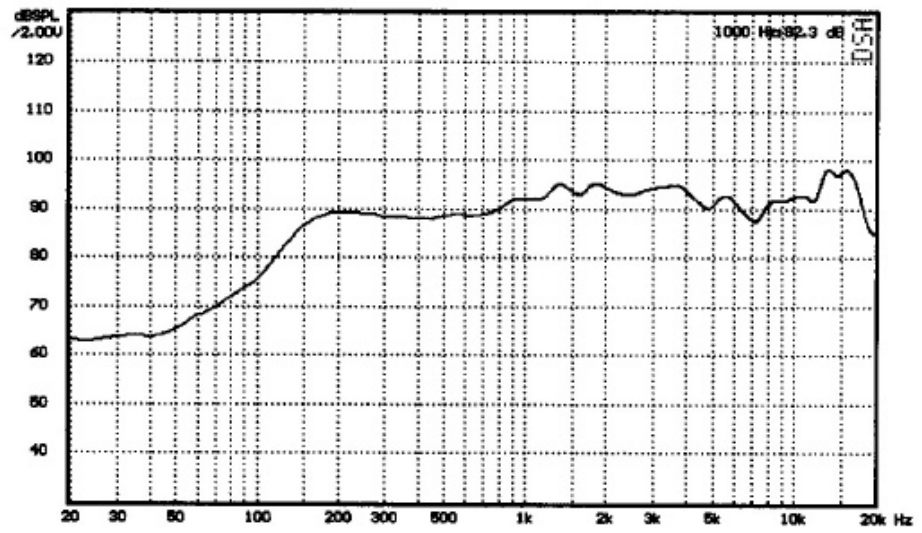


Made in Taiwan

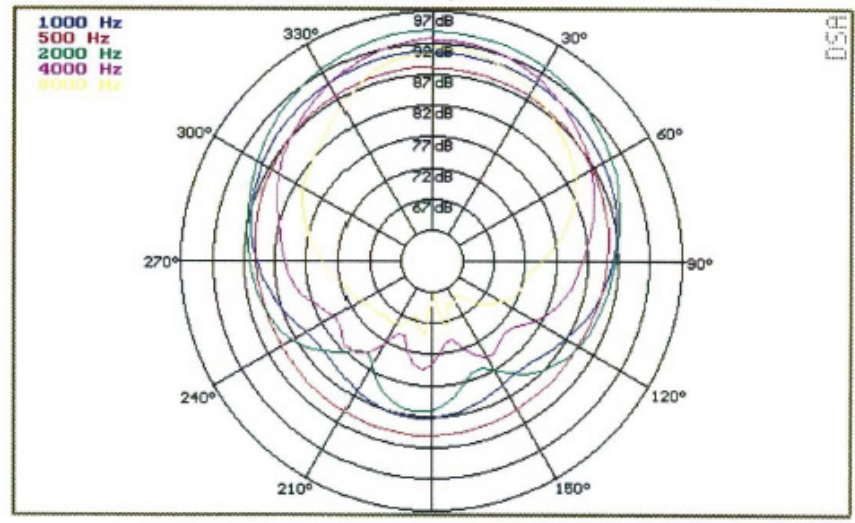
## Column Loudspeaker

Common	Red	Power		Impedance
		70V	100V	
+ Line	White	20W	Do Not Use	250 $\Omega$
	Blue	10W	20W	500 $\Omega$
	Yellow	5W	10W	1k $\Omega$
	Green	2.5W	5W	2k $\Omega$
	Brown	1.25W	2.5W	4k $\Omega$

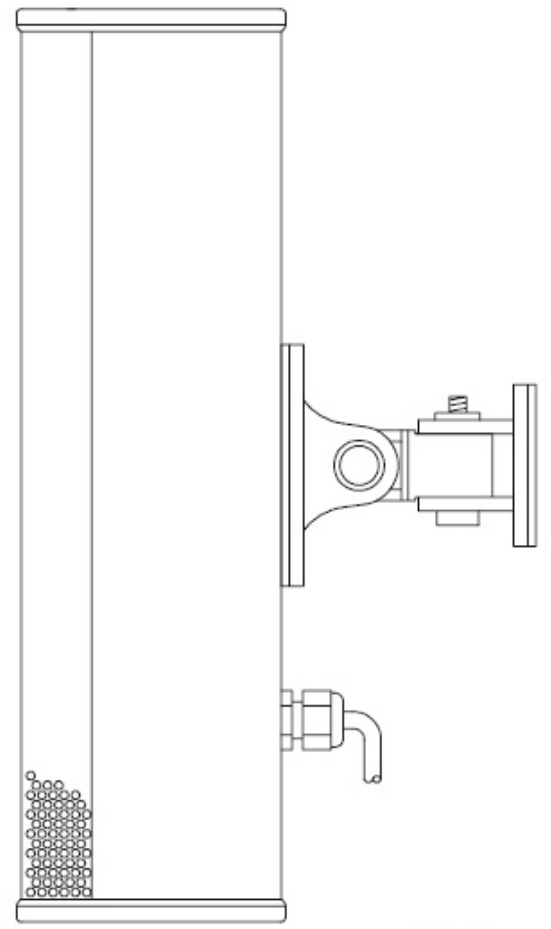
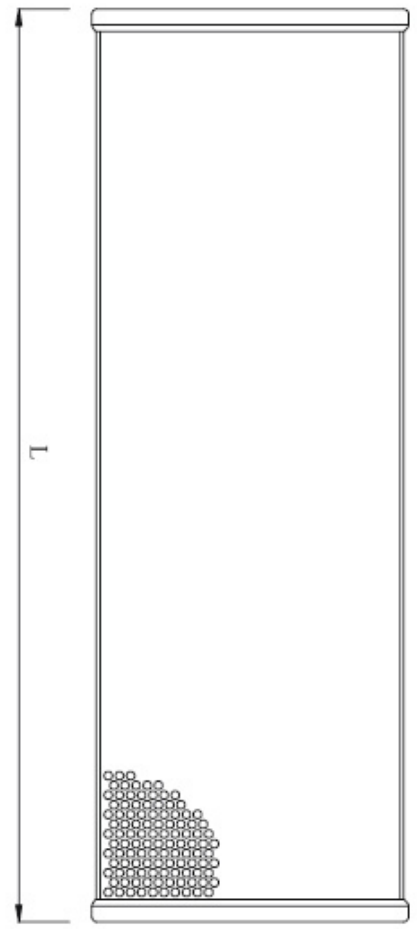
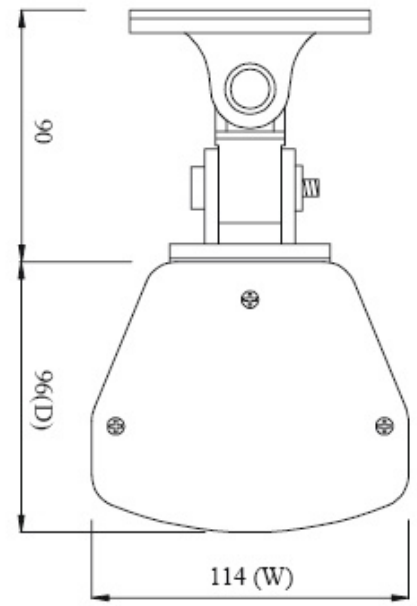
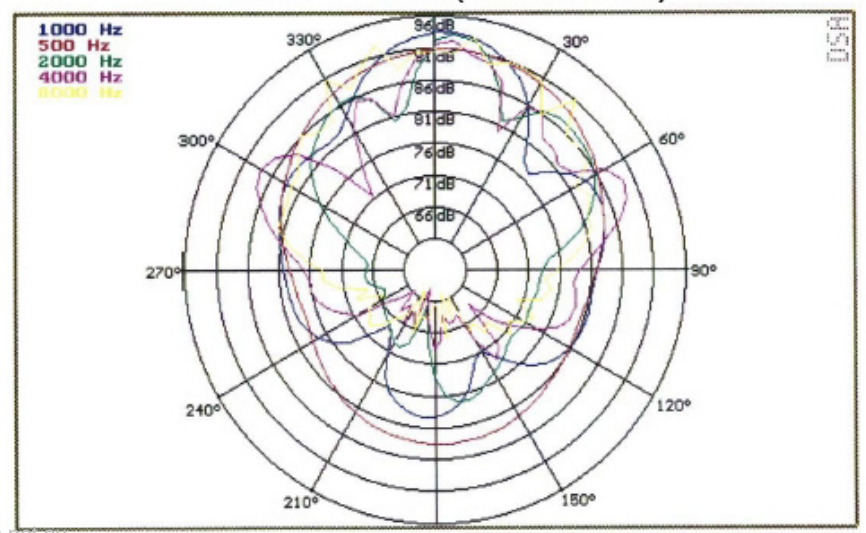
# Frequency Response



## Polar Plot (Horizontal)



## Polar Plot (Vertical)



Unit : mm

# CS210

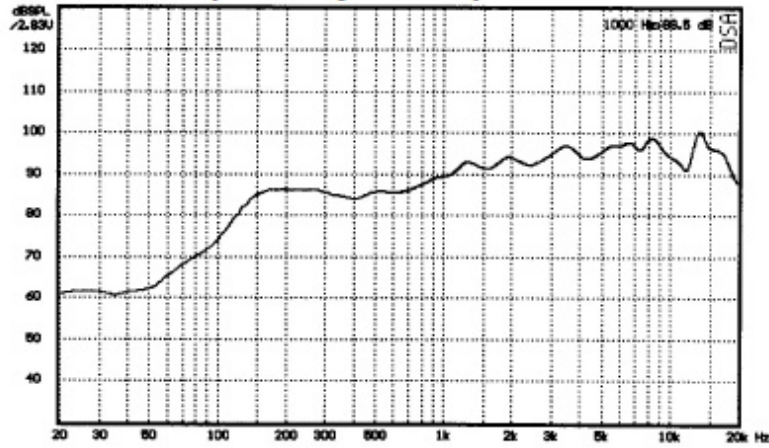


Made in Taiwan

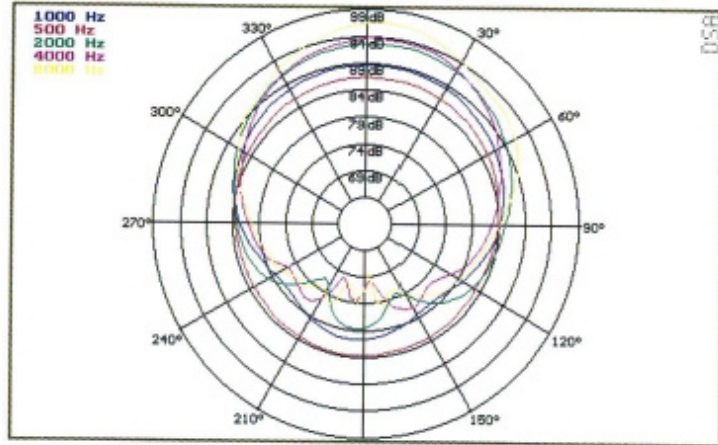
## Column Loudspeaker

Common	Red	Power		Impedance
		70V	100V	
+ Line	White	10W	Do Not Use	500 $\Omega$
	Blue	5W	10W	1k $\Omega$
	Yellow	2.5W	5W	2k $\Omega$
	Green	1.25W	2.5W	4k $\Omega$
	Brown	0.63W	1.25W	8k $\Omega$

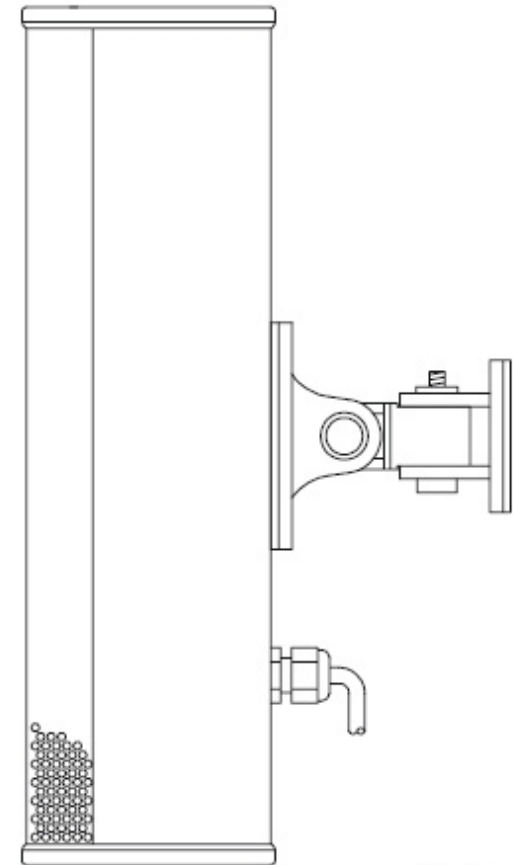
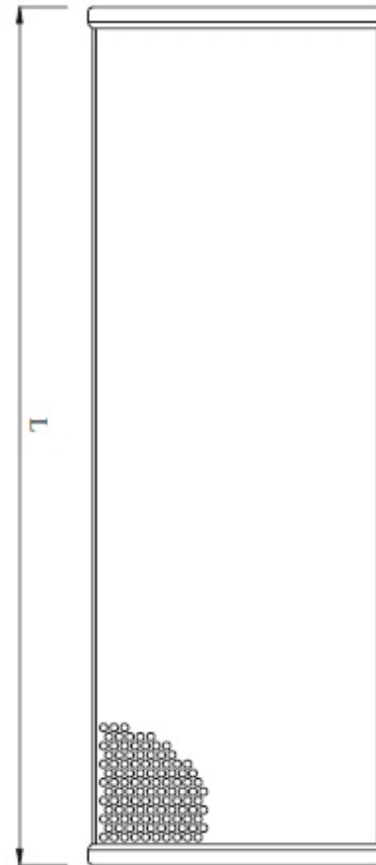
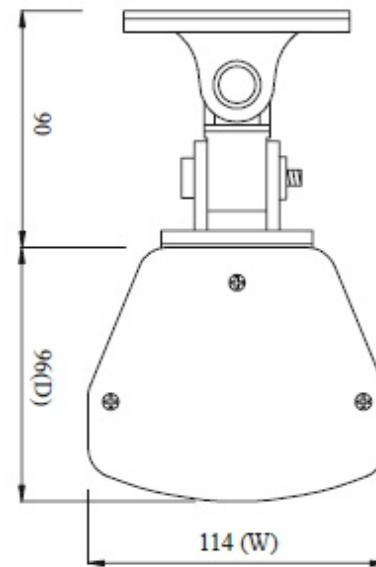
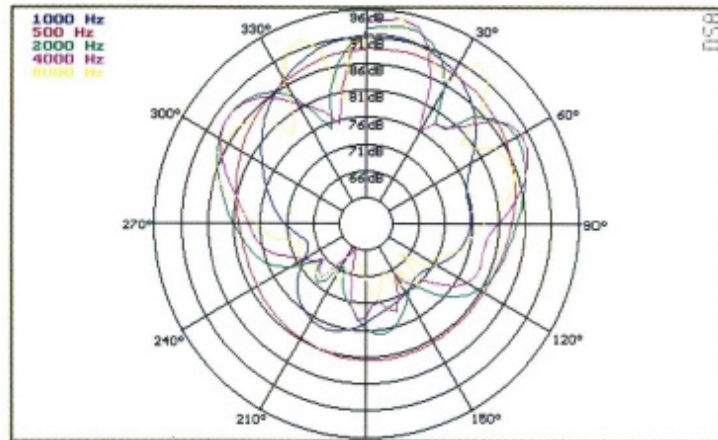
# Frequency Response



## Polar Plot (Horizontal)



## Polar Plot (Vertical)



Unit : mm