



INSTALLATION AND OPERATION MANUAL

DIGIPAGE Jr

MULTIZONE PAGING AND PROGRAM SELECTION SYSTEM

IMPORTANT SAFETY INFORMATION

1. Read these instructions.
2. Keep these instructions.
3. Heed all warnings.
4. Follow all instructions.
5. Do not use this apparatus near water.
6. Clean only with dry cloth.
7. Do not block any ventilation openings. Install in accordance with the manufacturer's instructions.
8. Do not install near any heat sources such as radiators, heat registers, stoves, or other apparatus (including amplifiers) that produce heat.
9. Do not defeat the safety purpose of the polarized or grounding-type plug. A polarized plug has two blades with one wider than the other. A grounding type plug has two blades and a third grounding prong. The wide blade or the third prong are provided for your safety. If the provided plug does not fit into your outlet, consult an electrician for replacement of the obsolete outlet.
10. Protect the power cord from being walked on or pinched particularly at plugs, convenience receptacles, and the point where they exit from the apparatus.
11. Only use attachments/accessories specified by the manufacturer.
12. Use only with the cart, stand, tripod, bracket, or table specified by the manufacturer, or sold with the apparatus. When a cart is used, use caution when moving the cart/apparatus combination to avoid injury from tip-over.
13. Unplug this apparatus during lightning storms or when unused for long periods of time.
14. Refer all servicing to qualified service personnel. Servicing is required when the apparatus has been damaged in any way, such as power-supply cord or plug is damaged, liquid has been spilled or objects have fallen into the apparatus, the apparatus has been exposed to rain or moisture, does not operate normally, or has been dropped.
15. This appliance shall not be exposed to dripping or splashing water and that no object filled with liquid such as vases shall be placed on the apparatus.
16. Plug this apparatus to the proper wall outlet and make the plug to be disconnected readily operable.
17. Mains plug is used as disconnected device and it should remain readily operable during intended use. In order to disconnect the apparatus from the mains completely, the mains plug should be disconnected from the mains socket outlet completely.
18. **WARNING:** To reduce the risk of fire or electric shock, do not expose this apparatus to rain or moisture.
19. An appliance with a protective earth terminal should be connected to a mains outlet with a protective earth connection.
20. The apparatus should be disconnected from the mains completely before speaker wiring. The speaker output should be proper protected from direct contact and pay attention to speaker connections, terminals and speaker wiring during normal operation.



PRÉCAUTIONS DURANT UTILISATION

1. LISEZ ces instructions.
2. Tenez ces instructions.
3. Notez tous les avertissements.
4. Suivez toutes les avertissements.
5. N'utilisez pas ce produit près de l'eau (la piscine, la plage, le lac, etc.).
6. Nettoyez seulement avec une étoffe sèche.
7. Ne bloquez aucuns trous de ventilation. Installez en accord avec les instructions du fabricant.
8. N'installez près aucunes sources de chaleur comme radiateurs, registres de chaleur, fours ou les autres équipements (y compris amplificateurs) qui produisent la chaleur.
9. Ne défaites pas le but de sécurité de la fiche polarisée ou base-type. Une fiche polarisée a deux tranchants avec un plus large que l'autre. Une fiche de base type a deux tranchants et une troisième pointe de base, le tranchant large ou la troisième pointe est fourni pour votre sécurité. Si la fiche donnée ne conforme pas votre prise de contact, consultez un électricien pour remplacement de la prise de contact obsolète.
10. Protégez le cordon de secteur contre être marchée dessus ou pincez en particulier aux fiches, aux douilles de convenance, et au point où ils sortent de l'appareil.
11. Seulement utilisez attachements/accessoires spécifiés par le fabricant.
12. Utilisez seulement avec un chariot, un stand, un trépied, un support ou une table indiquée par le fabricant, ou vendue avec l'appareil. Quand un chariot est utilisé, faites attention en déplaçant la combinaison d'appareil/chariot pour éviter de se déséquilibrer.
13. Arrachez la fiche du dispositif durant éclair et orage ou quand pas utilisé pour longues périodes de temps.
14. Référez au personnel qualifié de service pour toutes réparations. La réparation est donnée quand le système a été endommagé à n'importe façon, par exemple un fil ou une fiche endommagé(e) de la source d'alimentation. Avoir été exposé à pluie ou humidité, n'opère pas normalement, ou avoir été tombé.
15. L'appareil ne doit pas être exposé aux écoulements ou aux éclaboussures et aucun objet ne contenant de liquide, tel qu'un vase, ne doit être placé sur l'objet.
16. Branchez l'appareil à une source appropriée et faire que la prise à débrancher soit facilement accessible.
17. La prise du secteur ne doit pas être obstruée ou doit être facilement accessible pendant son utilisation. Pour être complètement déconnecté de l'alimentation d'entrée, la prise doit être débranchée du secteur.
18. **AVERTISSEMENT:** Pour éviter le risque d'incendie ou de chocs électriques, ne pas exposer cet appareil à la pluie ou à l'humidité.
19. Un appareil avec la borne de terre de protection doit être connecté au secteur avec la connexion de terre de protection.
20. Assurez-vous que l'appareil est hors tension avant de connecter les hauts parleurs. Vérifiez que la sortie des enceintes soit protégées contre un contact physique. Respecter les polarités des terminaux ainsi que le câblage des enceintes pendant le fonctionnement afin d'assurer une utilisation sécurisée.





DIGIPAGE Jr

The Australian Monitor Installation Series DigiPageJr is a two rack unit multizone paging and source selection system that offers unprecedented flexibility for multizone paging & source routing applications. Four program inputs are available to each of eight zone outputs. The DigiPageJr is also expandable to 16 zones via a simple link cable to a second unit. Paging stations are available in 8 zone and 16 Zone models allowing paging into any individual zone, any combination of zones or All Call. There is also the ability to have one Paging Station as a priority paging station. The Paging stations connect via an inexpensive and industry standard CAT5 cable network. An overall priority input is also provided for emergency or evacuation signals. The DigiPageJr is powered by an (included) external plug-pack power supply or via 24VDC. The DigiPageJr is a versatile and well featured product that provides a simple solution to the complex applications of multizone paging and source routing.

We thank you for choosing Australian Monitor Installation Series and as with all our products, the DigiPageJr offers clever features and is contractor friendly.

INTRODUCTION	3
FRONT PANEL	4
REAR PANEL	6
INSTALLATION	8
SETUP	10
LINKING TWO DIGIPAGE JR SYSTEMS	11
PAGING STATION	12
ACCESSORIES	14
TROUBLESHOOTING GUIDE	14
BLOCK DIAGRAM	15
DIMENSIONS	16
SPECIFICATIONS	17

AUS, EUR, USA
Rev D: Oct 2014

WARNING!

TO PREVENT FIRE OR SHOCK HAZARD, DO NOT USE THE PLUG WITH AN EXTENSION CORD, RECEPTACLE OR OTHER OUTLET UNLESS THE BLADES CAN BE FULLY INSERTED TO PREVENT BLADE EXPOSURE.

TO REDUCE THE RISK OF FIRE OR ELECTRIC SHOCK, DO NOT EXPOSE THIS APPLIANCE TO RAIN OR MOISTURE.

TO PREVENT ELECTRICAL SHOCK, MATCH WIDE BLADE PLUG TO WIDE SLOT & FULLY INSERT.

CAUTION

THESE SERVICING INSTRUCTIONS ARE FOR USE BY QUALIFIED SERVICE PERSONNEL ONLY. TO REDUCE THE RISK OF ELECTRIC SHOCK DO NOT PERFORM ANY SERVICING OTHER THAN THAT CONTAINED IN THE OPERATING INSTRUCTIONS UNLESS YOU ARE QUALIFIED TO DO SO.



The lightning flash with arrowhead symbol, within an equilateral triangle, is intended to alert the user to the presence of uninsulated "dangerous voltage" within the product's enclosure that may be of sufficient magnitude to constitute a risk of electric shock to persons.

CAUTION

**RISK OF ELECTRIC SHOCK
DO NOT OPEN**

WARNING:
TO REDUCE THE RISK OF ELECTRIC SHOCK, DO NOT REMOVE COVER (OR BACK). NO USER SERVICEABLE PARTS INSIDE. REFER SERVICING TO QUALIFIED SERVICE PERSONNEL.



The exclamation point within an equilateral triangle is intended to alert the user to the presence of important operating and maintenance (servicing) instructions in the literature accompanying the appliance.

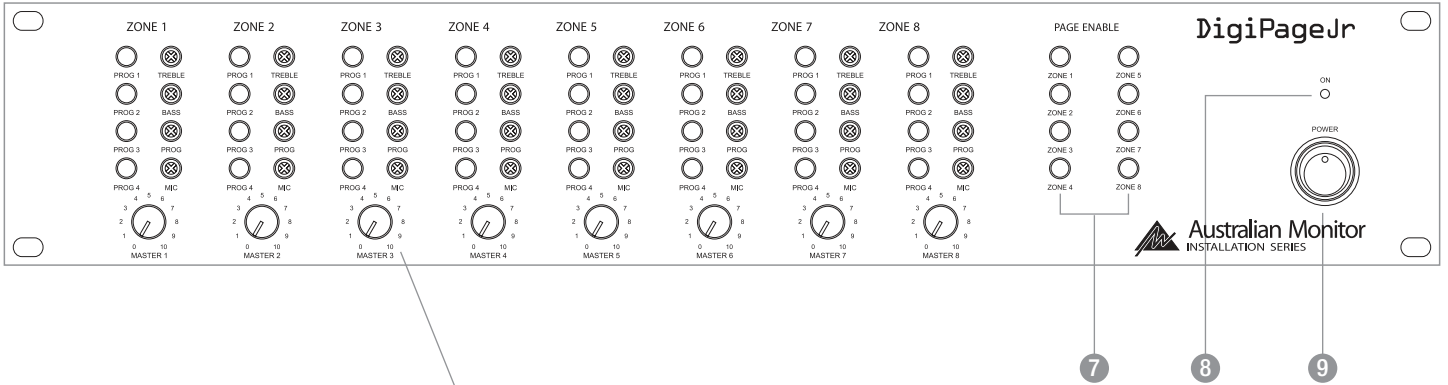


For European Union countries: This symbol on the product or its packaging indicates that this product must not be disposed of with other waste. Instead, it is your responsibility to dispose of your waste equipment by handing it over to a designated collection point for the recycling of waste electrical and electronic equipment. Please contact your local authority for further details of your nearest designated collection point.

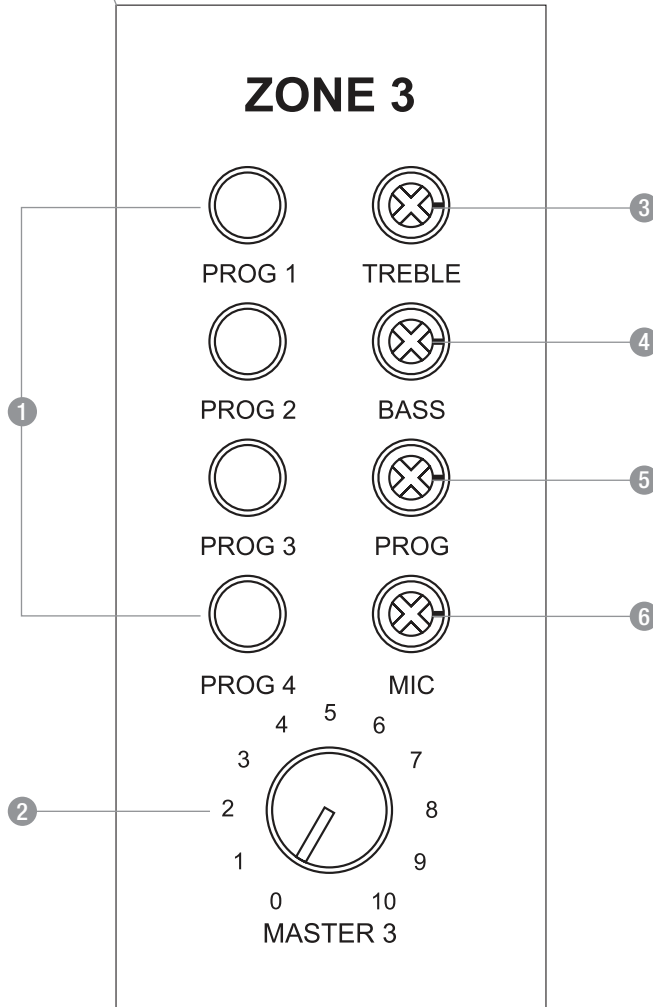
Rating plate and caution marking are marked on the back enclosure of the apparatus



FRONT PANEL



Expanded view





The controls detailed below (1-6) apply to each output zone, as indicated by ZONE 1 to ZONE 8 on the front panel.

1 Prog 1-4


This series of program switches (PROG 1-PROG 4) allows any one of the connected program sources to be switched to this zone. Note that these are mechanically interlocking switches: only one program may be selected at a time. Program inputs may be mic or line, see Back Panel on pages 6-7.

2 Master 1-8

This control adjusts the overall output level of the zone.


3 Treble

The treble control has 10dB of cut or boost at 10kHz. The treble control affects the entire zone.

 **NOTE:** That 'center' is to the right (3 o'clock), not the top (12 o'clock).


4 Bass

The bass control has 12dB of cut or boost at 100Hz. The bass control affects the entire zone.

 **NOTE:** That 'center' is to the right (3 o'clock), not the top (12 o'clock).

5 Prog

This control adjusts the overall level of selected program source into the zone.

 **NOTE:** To balance the differing levels of each program input, the program trim controls on the rear panel should be used (see Rear Panel and Setup sections).

6 Page

This control adjusts the paging mic level into the zone.

7 Page Enable

This switch allows the zone to be included in or isolated from the paging function. You may want to do this when a zone is an area such as a function room that occasionally may need to be isolated from paging.

8 On Indicator

This LED indicates there is power to the unit.

 **NOTE:** When 24VDC emergency power is supplied this LED will always be on.

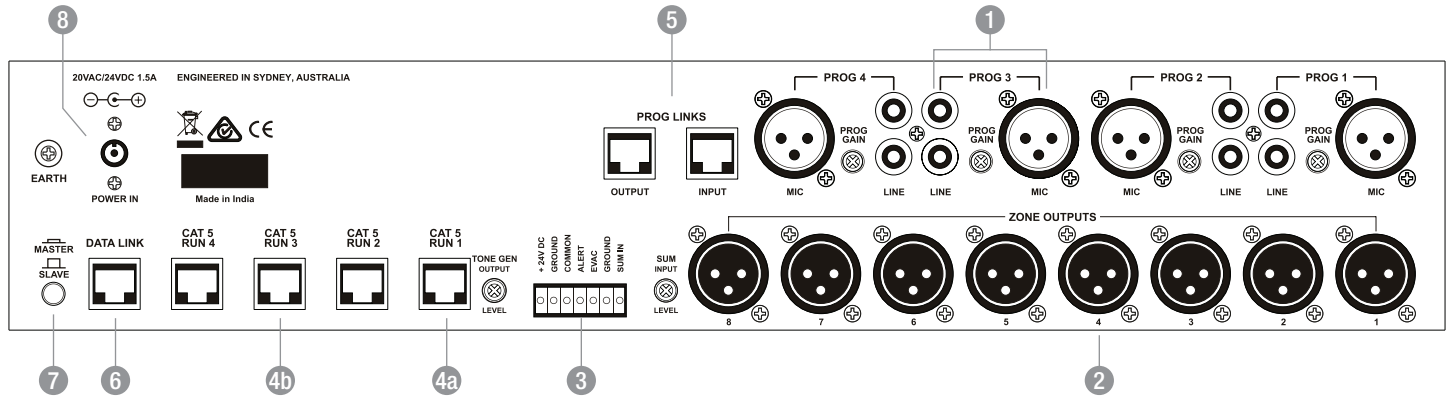
9 Power Switch

This switches power from the power supply (included).

 **NOTE:** When 24VDC emergency power is supplied, the unit is on regardless of the switch position

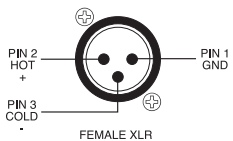
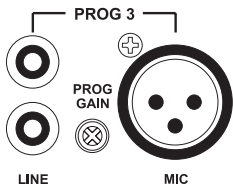


REAR PANEL





1 Local 1-4 Input Section

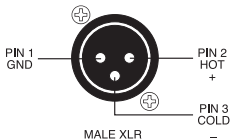


LINE The pair of RCA sockets accepts unbalanced line level inputs. Stereo signals are internally summed to mono.

MIC/LINE The XLR socket accepts balanced microphone level signals.

PROG GAIN The trimpot controls the input gain of BOTH the balanced and unbalanced program inputs. In a Master/Slave configuration, these also control program linked inputs. (see Linking Section).

2 Zone Outputs

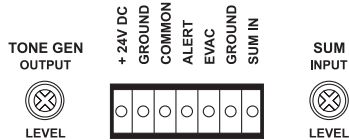


There is a balanced XLR line level output for each zone.

NOTE: If connecting to an unbalanced input, the negative pin (3) should not be connected to ground but left floating.

NOTE: When operating as a slave unit, outputs labelled 1 to 8 will correspond to zones 9 to 16, respectively. (see Linking Section)

3 Euroblock Connector



24V DC / GROUND This input pair is for connection to a 24VDC emergency power supply and is not switched by the front panel power switch.

NOTE: The 24V DC input does not provide a trickle-charge facility.

ALERT/EVAC/COMMON These connections are used to trigger the internal tones. Only one tone can be triggered at a time. Triggering occurs by connecting the ALERT or EVAC terminal to COMMON.

GROUND/SUM IN This is an unbalanced line level input which may be used for emergency priority signals. It feeds all zone outputs independent of output level settings and page enable status.

NOTE: Signal on the SUM IN will cause other signals to be muted.

NOTE: The muting by the SUM IN remains active for 3sec after the input signal is removed.

SUM INPUT LEVEL This recessed trimpot sets the level of the sum input.

TONE GEN OUTPUT LEVEL This recessed trim pot controls the output level of the tones and the pre-announce chime.

4a Cat 5 Run 1

This RJ45 input accepts the CAT5 cable coming from the priority paging microphone station. See 'Installation' on page 8 for more information. If you would like to have a paging station set as a priority over all other paging stations, then it must be connected to this RJ45 socket and no other stations may use this connector or the run that it is on. The paging station also needs to be set up as a priority station (see Paging Station section).

4b Cat 5 Run 2-4

These RJ45 inputs accept the CAT5 cables coming from the Paging Stations. See page 8 for more information.

NOTE: These are NOT Ethernet connections.

NOTE: Connecting and disconnecting these inputs while the unit is on may cause the unit to lock up requiring system power to be cycled.

5 Prog Links

These RJ45 sockets allow linking of the program sources when using a Master/Slave configuration. (see Linking Section on page 11)

NOTE: These are NOT Ethernet connections.

6 Data Link

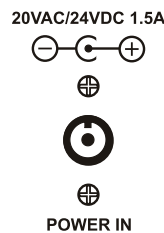
This socket is used to link two units in a Master/Slave configuration. (see Linking Section on page 11)

NOTE: These are NOT Ethernet connections.

7 Master/Slave

This switch is used when linking 2 units in Master/Slave configuration. (see Linking Section on page 11)

8 Power In Vac



This 2.1mm x 5.5mm power socket accepts 20VAC or 24VDC. For DC, tip is positive.

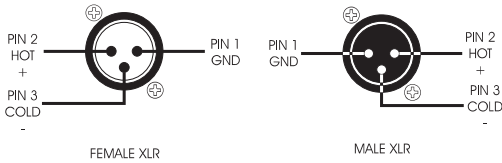


INSTALLATION

OVERVIEW

The DigiPageJr features extensive flexibility in the range of input sources that it can accommodate. In addition, the zone outputs may be used to feed power (booster) amplifiers, mixers, mixer amplifiers etc. It is therefore important to think about the interfacing of the DigiPageJr with the other equipment if optimum performance and system stability is to be achieved. Use the Back Panel and Specifications sections of this manual to assist with system design.

NOTE: XLR Configuration



When wiring the outputs on the DigiPageJr as unbalanced, Pin2 should be used as hot and Pin1 as ground. Pin3 should be left open and NOT shorted to Pin1.

NOTE: If installing and terminating CAT5 cable is new to you, please take note of the various points that follow. As the CAT5 cabling for the DigiPageJr carries voltage, damage could occur if your pin-pin connections are not made correctly.

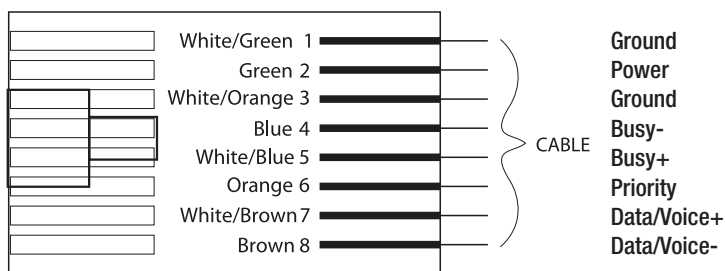
Cable Installation for Paging Stations

Four RJ45 ports (labelled CAT 5 RUN 1-4) are provided for connection to the DigiPageJr Zone Paging Stations. The four ports allow for easy cable infrastructure, as CAT5 runs can be of differing lengths depending on the installation and the number of paging stations connected.

In planning the installation, the following rules apply:

- Up to 4 Paging Stations may be connected to each of the four CAT5 runs.
- Connections along the runs must be in a daisy-chain configuration. It is acceptable to create a short branch (eg, from a wall to a paging station). The maximum length of the branch is 10m.
- The following table indicates the maximum distance allowable for a CAT5 run on a single port.
- For greater distances or more units, see page 10.
- The last unit on a run must be terminated. This is done by moving a jumper on the paging station or remote unit. See 'Paging Station' on page 12 or 'Remote Control Panel' on page 15.

Number Of Devices On Single Cat5 Run	Max Distance To End Unit (M/FT)
1 X Paging Station	250M/820Ft
2 X Paging Stations	125M/410Ft
3 X Paging Stations	80M/260Ft
4 X Paging Stations	62.5M/205Ft



Shown with locking clip facing

Installation Of A Priority Paging Station

The following rules apply for connecting a paging station as a priority paging station to over ride all other paging stations:

- The paging station must be enabled as a priority paging station (see Paging Station section on pages 12-13).
- The paging station that is used as a priority station must be connected to CAT5 RUN 1.
- The only paging station that can be connected to CAT5 RUN 1 is the priority paging station. No other paging stations may share that CAT5 RUN.

NOTE: These are NOT Ethernet connections.

CAT5 Cable

CAT5 cable is the blue cable commonly used for data installations (other colours do exist). It consists of four twisted pairs of wires: this is why it is often referred to as UTP (Unshielded Twisted Pair). The most readily available cable uses solid conductors, like telephone wire. Cable with stranded conductors is available, and is more flexible.

CAT5 Termination

Pre-wired CAT5 cable comes in two configuration standards, 568A and 568B. It is advisable to carry a good pre-wired cable for fault-finding. Both configurations will work with the DigiPageJr provided both ends have the same configuration. Be careful not to use a crossover cable which has one configuration at one end and the other configuration at the other end.

Ensure that the RJ45 connectors are suited to the cable used (solid or stranded) and that the correct crimp tool is used.

When wiring connectors, 568A standard wiring is recommended (see table).

568A Configuration

Pin	Wire Colour	Cable
1	White/Green	Ground
2	Green	Power
3	White/Orange	Ground
4	Blue	Busy-
5	White/Blue	Busy+
6	Orange	Priority
7	White/Brown	Data/Voice+
8	Brown	Data/Voice-

NOTE: CAT5 cable consists of four pairs of wires: it is not sufficient to simply wire the two ends pin for pin, ignoring pairing.



Power Requirements

The DigiPageJr can operate from the plug pack supplied and/or a separate 24V DC power supply.

A NOTE ABOUT GROUNDING: It may be necessary in some circumstances to ground the DigiPageJr to eliminate noise in the system. This can be done using the negative terminal of the 24VDC IN euro connector or by making sure that the chassis is electrically connected to the equipment rack (which should be grounded).

Extending CAT5 Cable Run Distances & Adding More Paging Stations

The maximum distances quoted in the Table #1 are due to DC current limitations, not data transmission limitations. If distances greater than these are required, the paging stations can be locally powered. This will extend the maximum distances to 1000m per CAT5 RUN. Alternatively, if more than 4 paging stations are required on a single run, local powering can be used. This will increase the maximum number of paging stations on a single CAT5 RUN.

Use a regulated 12VDC supply connected as

pin1 (white/green in CAT5)- GROUND

pin2 (green in CAT5) - +12V

Disconnect incoming +V, but not ground. The 12V supply should be rated at 150mA per microphone being powered. For further information email help@audiotelex.com.au.

Tone Generator Inputs

Tones may be triggered by closing a switch or relay contact between the selected tone trigger input and common. These trigger inputs are 5V TTL and may alternatively be triggered by pulling the desired input low referenced to the COMMON.

NOTE: The maximum voltage on these inputs must not exceed 5.5V

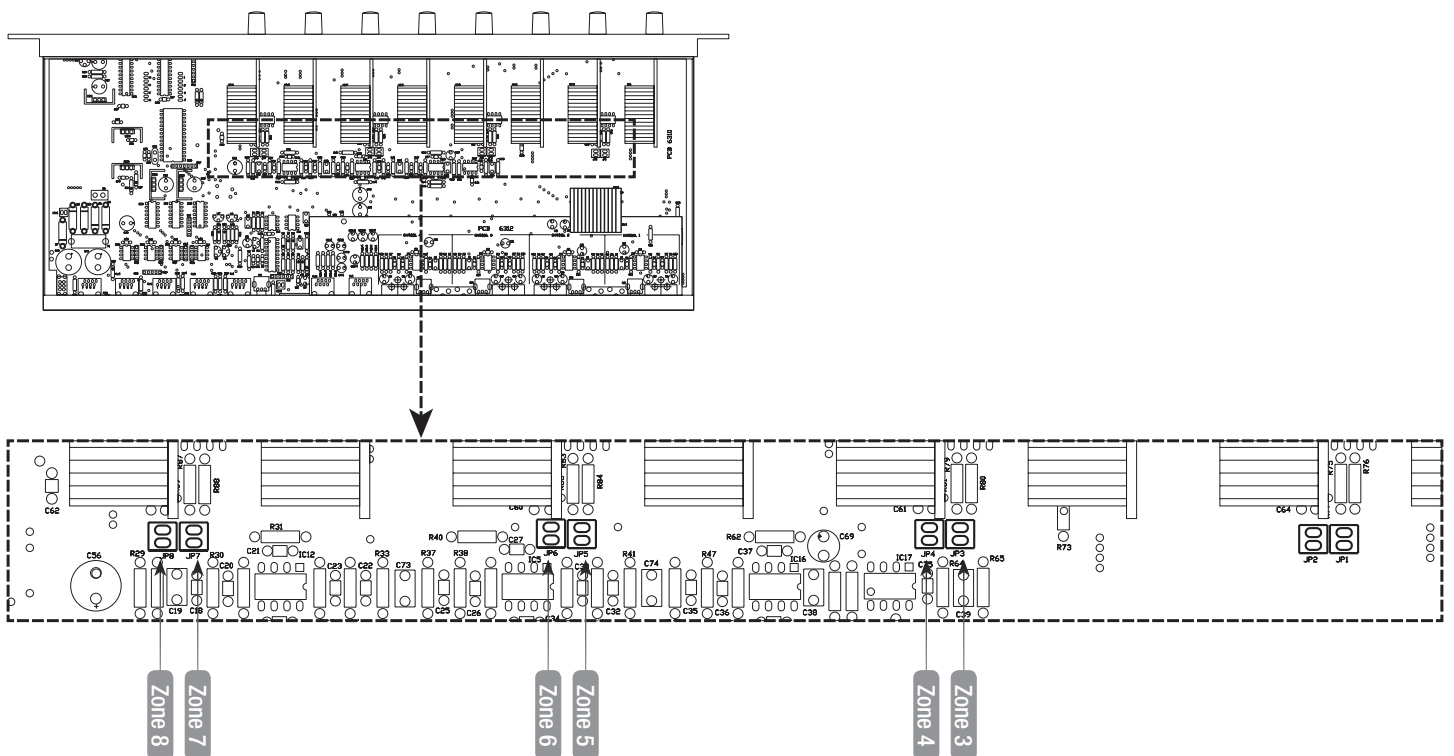
Pre-Announce Chime

The only internal setup that is available in the DigiPageJr is for the configuration of the chime tone that sounds in each zone. The unit comes shipped with the chime enabled in all zones.

A link can be found on the main board just behind the zone control boards (see diagram below).

To disable the chime to a particular zone, remove the link. To re-enable the chime, replace the link.

NOTE: Remember to wait for the chime to finish before speaking. Note that when the chime is disable it will still activate but will not be heard so you must still wait approximately 1 sec before speaking after press the page button.





SET UP

The inputs of the DigiPageJr can accommodate a wide range of sources including active paging stations, dynamic microphones, DVD and CD players, tuners and cassette players. The zone outputs may be used to drive power (booster) amplifiers, mixers, or mixer amplifiers.

Each installation will require setting the appropriate relative mix of levels between paging and program sources for each zone and balancing between the zones.

Because of the variation in levels between the possible sources, DigiPageJr offers a number of gain stage adjustment so you can set the correct levels for your application.

Also consider what the outputs are driving.

Setting up correct gain structure through the whole system is important to achieve optimal results.

The following step by step procedure has been devised to assist during the setup process.

When the DigiPageJr was shipped to you from the factory it was set up in a particular way. In the following procedure it is essential that you are starting from these initial settings.

- Program Input Gain Controls - half (12 o'clock)
- Master Volume - off
- Mic level - half (3 o'clock)
- Prog level - half (3 o'clock)

12 o'clock



3 o'clock



Step by Step Setup

Confirm the initial settings of DigiPageJr.

Choose a zone that is conveniently located near to the DigiPageJr or further away if you feel you need the exercise. This will be referred to as the "TEST ZONE".

Ensure that all amplifiers connected to the DigiPageJr are set to provide required sound levels with a line level input signal.

Choose a consistent program source, eg CD or tuner. This will be referred to as "TEST PROG".

- 1 Select TEST PROG in the TEST ZONE [front PROG 1-4].
Set the MASTER volume in the TEST ZONE to half way.
- 2 Adjust the rear PROG GAIN for the TEST PROG input to achieve the required sound level in the TEST ZONE.
- 3 Select PROG TEST in all other zones.
- 4 Bring up the MASTER volume in all other zones and check for required sound levels.
- 5 Make a test page to the TEST ZONE and check the level relative to the program level.
- 6 Adjust the page level as desired [front panel PAGE].
- 7 Balance the other program sources in the TEST ZONE [rear panel PROG GAIN]
- 8 Apply the front panel settings from TEST ZONE to all other zones.
- 9 Using the front panel controls only, set the individual zones to your preferred settings
 - a. Set balance between prog/page
 - b. Set Eq
 - c. Set final master level

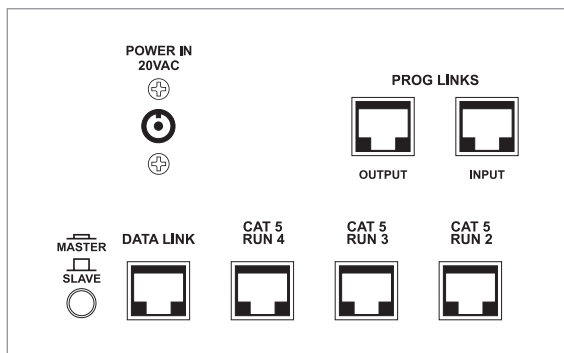
NOTE: A full discussion of setting up a complex system with correct gain structure is beyond the scope of this manual. The procedure above assumes that the installer has correctly set up external equipment connected to DigiPageJr prior to initiating the set up procedure.



NOTE: There are two series of DigiPage product available, the DigiPage and the DigiPageJr. Use only DigiPageJr series paging stations with DigiPageJr and only DigiPage series paging stations with DigiPage.

DigiPageJr is fully expandable to form a 16 zone paging system by the simple linking of two units. One DigiPageJr is then designated the master unit, driving zones 1-8, with the other slave unit driving zones 9-16. The following settings and connections are required to form a linked DigiPageJr system.

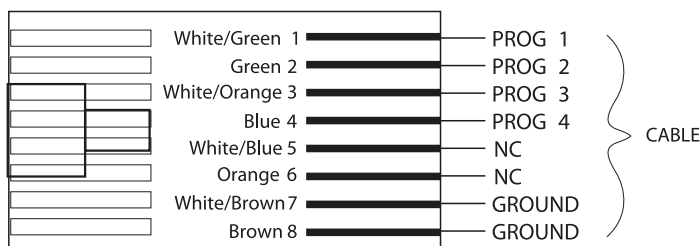
The DigiPageJrM16 paging station must be used to access all zones. The DigiPageJrM8 can also be used but will only access zones 1 to 8.



Program Source Wiring

568A Configuration

Pin	Wire Colour	Prog Wiring
1	White/Green	Prog 1
2	Green	Prog 2
3	White/Orange	Prog 3
4	Blue	Prog 4
5	White/Blue	NC
6	Orange	NC
7	White/Brown	Ground
8	Brown	Ground



Master/Slave

This switches the unit from master (switch in) to slave (switch out). When set as master the unit acts as zones 1 to 8. When set as slave the unit acts as zones 9 to 16. **This switch should only be operated when the unit is powered off.**

Data Link

This link is essential. Use a pre-wired CAT5 patch lead. The maximum cable length for the data link cable is 10m, but note that PROG LINKS cable is limited to 0.5m (see below).

NOTE: Maximum data link cable length is 10m

NOTE: These are NOT Ethernet connections.

Prog Links

Program sources can be sent to the slave DigiPageJr by connecting the PROG LINKS OUTPUT on the Master unit to the PROG LINKS INPUT on the Slave unit. This simplifies connection of sources as all 4 sources can be sent from the master to the slave via 1 CAT5 cable avoiding the need for Y-cables

The PROG TRIM on the slave unit operates independently of the master unit. The PROG TRIM on the slave unit should be set to the same position as on the master.

Use a pre-wired CAT5 patch lead. The maximum cable length for the program source link cable is 0.5m. However, this cable should be kept as short as possible because it is carrying audio signal.

NOTE: If PROG LINKS is not used, it is possible to use completely different program sources in zones 1-8 to zones 9-16.

NOTE: Maximum prog link cable length is 0.5m

Priority Paging Station

If a priority paging station is being used in a linked 16 zone system it must be connected to CAT5 RUN 1 of the master unit.

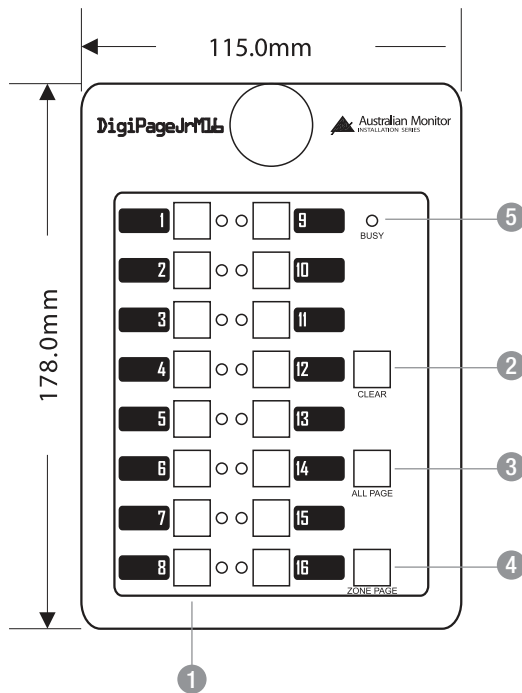


PAGING STATION (DIGIPAGE JR M8, DIGIPAGE JR M16)

Introduction

The Australian Monitor Installation Series DigiPageJrM8 and DigiPageJrM16 Paging Stations are 8 and 16 zone paging stations complete with a slimline gooseneck paging microphone. The Paging stations are designed to be used with the DigiPageJr Zone Paging & Source Selection System and will allow paging into any individual zone, any combination of zones or All Call to all zones. LED indicators provide the user with visual feedback of the zones being paged or if the system is busy. Label space is provided on the Paging Station, which also provides a microphone gain control. Connection to the DigiPageJr is via low cost CAT 5 cable and as with all Australian Monitor installation products, the Paging Station provides an elegant solution at a contractor friendly price.

Controls



1 Zone Select

These buttons allow selection of zones for paging. When selected, the adjacent LED glows green. Pressing the button again deselects the zone. The area next to the button is for labelling the zone. Selecting a zone does not instigate paging. See 4. ZONE PAGE.

2 Clear

This button clears all the selected zones.

3 All Page

This button pages to all zones. It is momentary so must be held while talking into the microphone. It activates the microphone and mutes the program sources. It does NOT clear the current zone selection configuration so the paging station will return to its previous state (selected zones) once the ALL PAGE button is released.

NOTE: Remember to wait 1 sec for the pre-announce chime to finish.

4 Zone Page

This button pages to the current zone selection configuration as indicated by the ZONE select LEDs see 1 above. The zones being paged have their program sources muted and the microphone becomes active. If no zones are selected the system will still show as busy when this button is pressed.

NOTE: Remember to wait 1 sec for the pre-announce chime to finish.

5 Busy

This LED glows when the network or system is busy. This can be caused by the local paging station (you are making a page) or by another paging station. Paging is not possible while the system is busy, however zone selections can still be made.



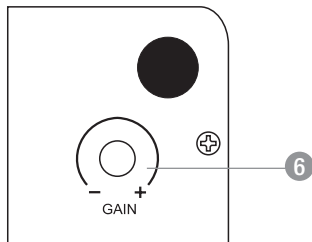
Installation And Setup

NOTE: There are two series of DigiPage product available, the DigiPage and the DigiPageJr. Use only DigiPageJr series paging stations with DigiPageJr and only DigiPage series paging stations with DigiPage.

The CAT5 cable connects to the RJ45 socket on the rear panel of the paging station. This socket is a NEUTRIK™ connector designed to be used with the XLR style housing (model NE8MC) to improve reliability. Normal RJ45 connectors can also be used.

Plugging and unplugging the cable while the system is powered up may result in the system locking up and is not recommended. If this should happen, reset the DigiPageJr by switching off, then on.

Base Plate Section



6 Gain

To accommodate different speech levels, there is a gain control on the base of the DigiPageJrM. This ships set to minimum and may be adjusted to suit. Increasing this control too far may cause the paging station to distort if loud or close speech levels are encountered. Caution should be used if trying to achieve high gain levels for distant or lectern speech styles as feedback may occur.

7 Terminating

In an RS485 network (of which the DigiPageJr is part of) it is important to terminate the last device in each CAT5 RUN. A jumper is provided for the data/voice transmission to be terminated if that Paging Station is at the end of a CAT5 RUN (see diagram). Shipped as unterminated.

8 Priority

If a Paging station is being used as a priority over all other Paging Stations then the following rules apply.

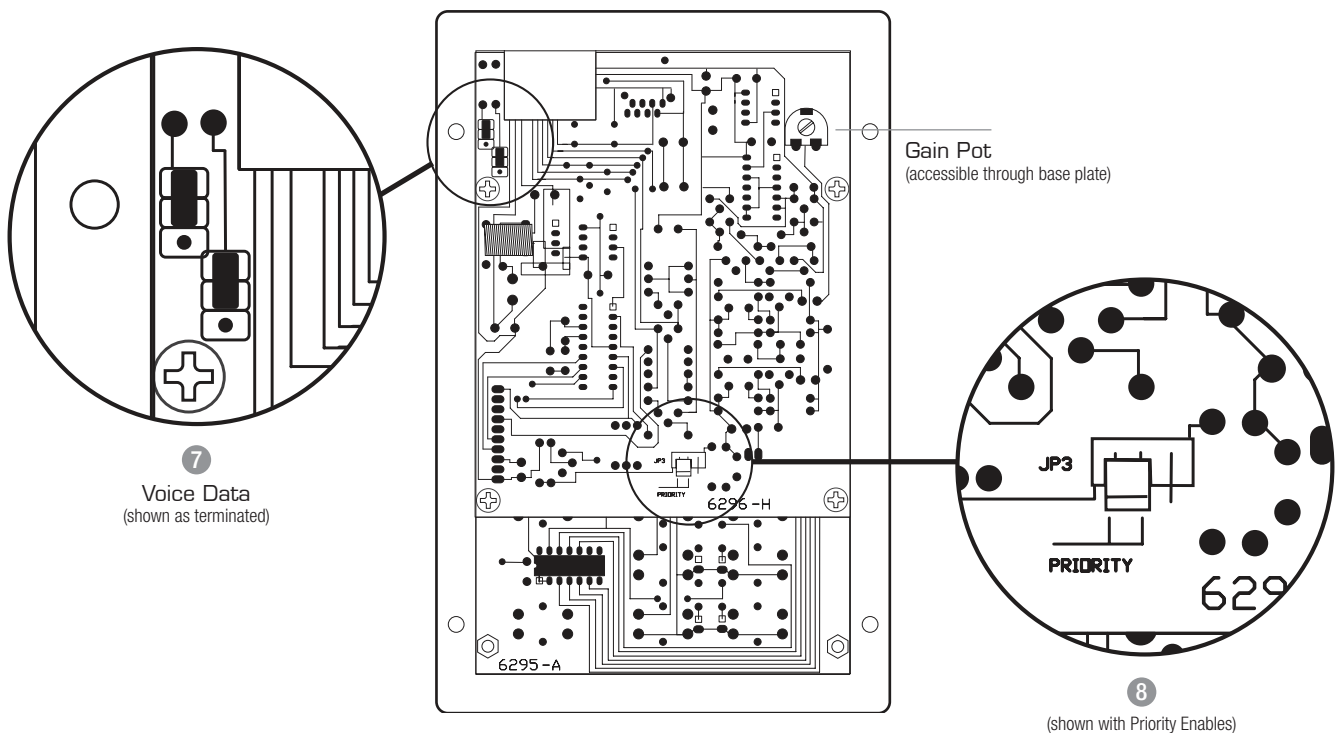
The Priority Paging Station must be connected to CAT5 RUN 1.

No other Paging station may be connected to CAT5 RUN 1.

The Priority Paging Station must be set as priority by moving the jumper (see diagram).

Shipped no priority set.

NOTE: When making changes be sure to power off the system and disconnect from the network.





ACCESSORIES & TROUBLESHOOTING

PAGING STATIONS

8 ZONE	Cat No. DPJR8M
16 ZONE	Cat No. DPJR16M

TOOLS

PUNCH DOWN TOOL	Cat No. DPPDT
CAT5 CABLE TESTER	Cat No. ATC-C5CT

INPUT PLATE

BLACK SYSTEM	Cat No. DPRIPB
WHITE SYSTEM	Cat No. DPRIPW

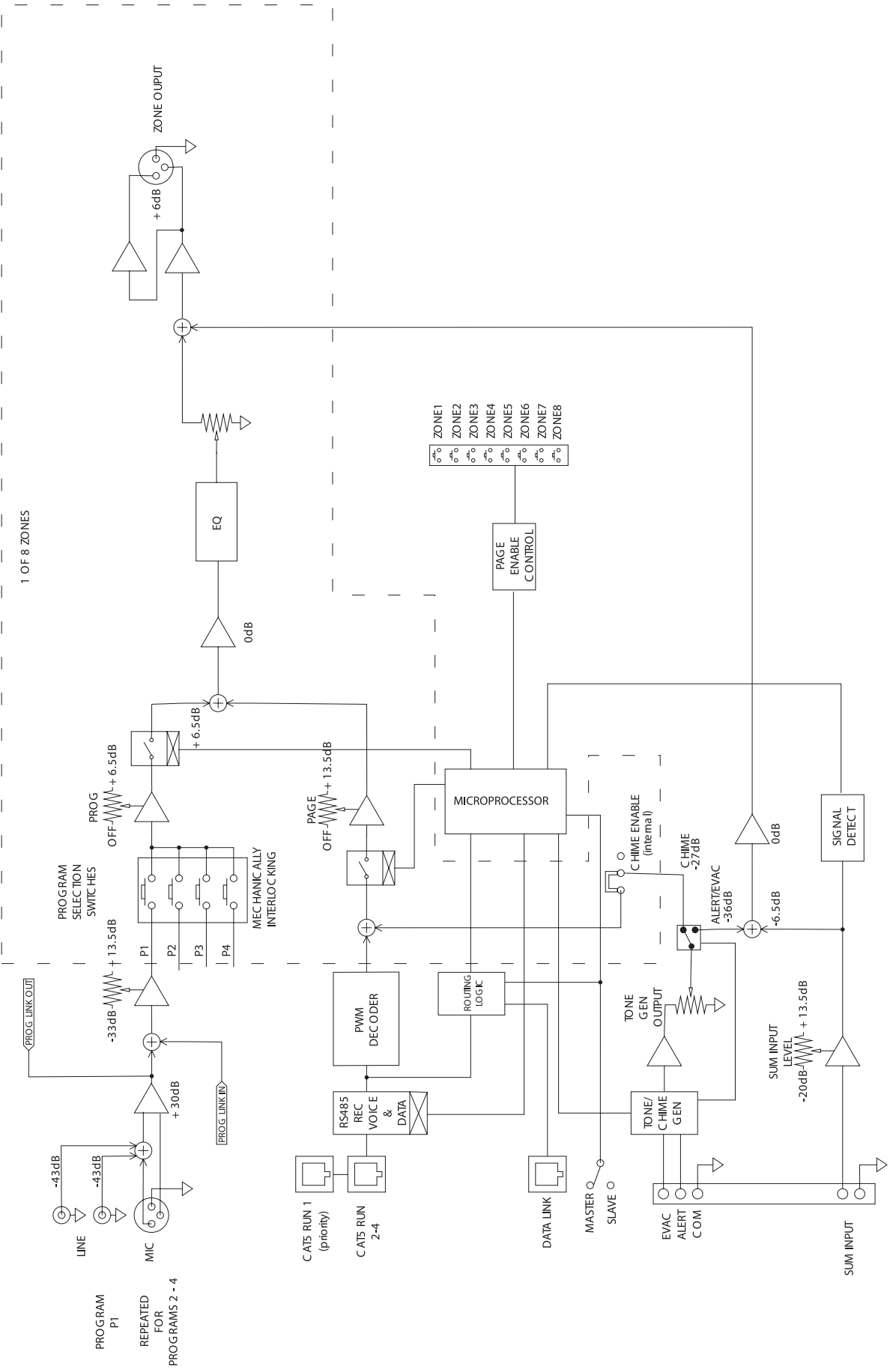
STANDOFF SURFACE MOUNT BOX

BLACK	Cat No. DPRMSMBB
WHITE	Cat No. DPRMSMBW

NOTE: The paging stations for the DigiPageJr are different to the DigiPage and cannot be mixed.
The same applies to DPRM's which cannot be used with the DigiPageJr.

TROUBLESHOOTING

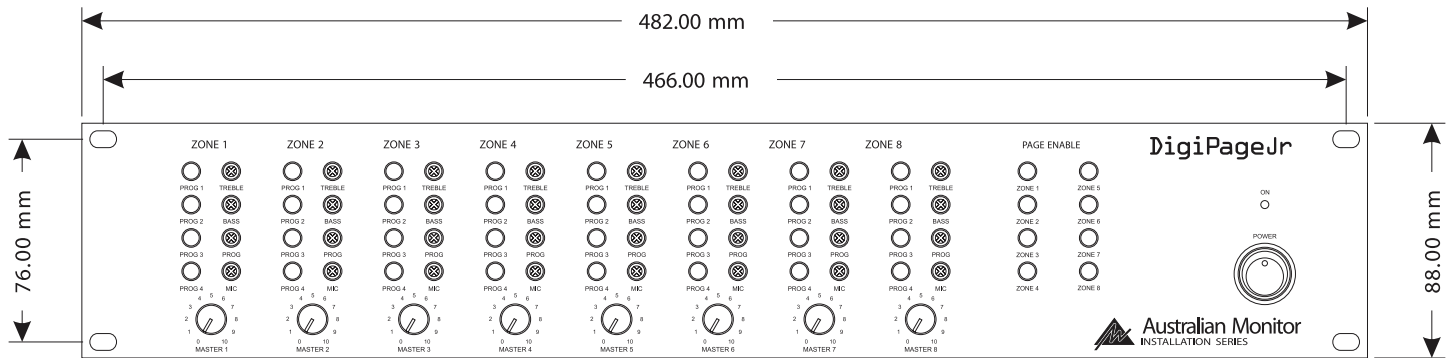
Trouble	Likely Cause	Remedy
DIGIPAGE SYSTEM		
No response to controls	Mains brownouts or incorrect connection of devices may cause processor to lock-up	Cycle power on the DigiPageJr
Poor signal to noise ratio	Incorrect system gain structure	- Check settings of all equipment - Revisit Step-by-Step Setup Procedure
	Lack of system ground	See Grounding in Installation section
All Call works but Zone Page does not	Main unit set to slave	Set main unit master/slave switch to master (switch in)
Paging locked up	Priority paging station in CAT5 RUN2, 3 or 4	Plug Priority paging station into CAT5 RUN1 only
PAGING STATION		
LED's chase	Initialisation (boot) sequence	Normal operation when power is applied
Inconsistent operation	Cable too long	See Installation section
	Cable fault	- Check cable - Check Paging Station with good cable at DigiPage
	Last station on run not terminated	Terminate the paging station. See Paging Station on page 13
Emits high-pitch whine	Station lock-up due to connection while system is live	With all Paging Stations connected, cycle power on the DigiPageJr



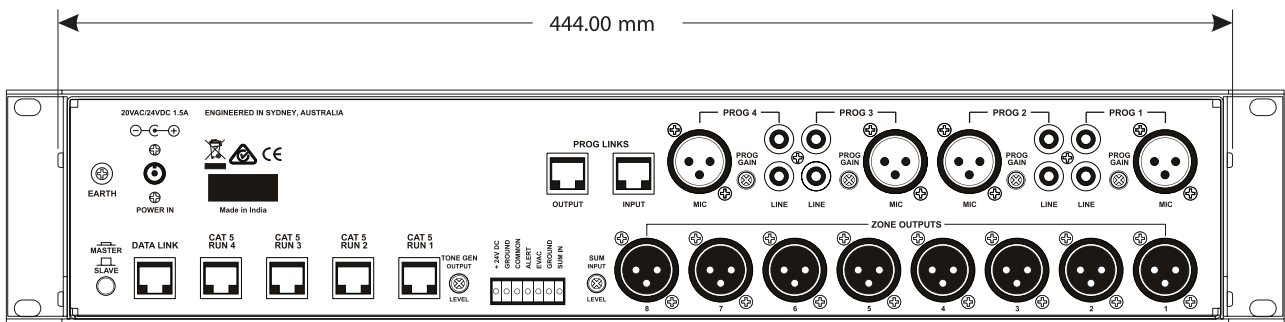


DIMENSIONS

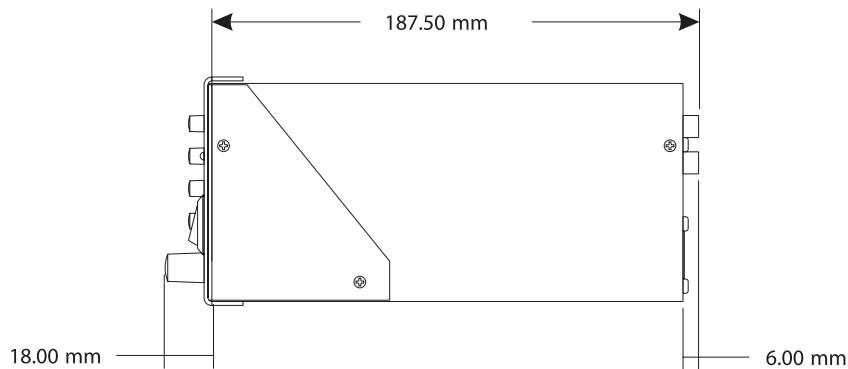
FRONT PANEL



REAR PANEL



SIDE PANEL





FREQUENCY RESPONSE (0dB/-3dB)	32Hz - 13kHz
THD	0.05%
NOISE	Page Mic: -84dB Other Inputs: -89dB
SUM INPUT	Input Sensitivity: 160mV (-13.5dBu) Threshold: -46dBu (at output, ind of input)
OUTPUT	1.5Vrms 600 Ohm Max: 9Vrms
PROGRAM SOURCES (Trim Max)	
Unbalanced (RCA)	Input Impedance: 100k Ohm Sensitivity: 150mV (-14dBu)
Balanced (XLR)	Input Impedance: 1k3 Ohm Sensitivity: 1mV (-57dBu) Min Trim: -46dB
POWER INPUT	20V AC or 24V DC 1.5A via 2.1mm x 5.5mm barrel socket
POWER CONSUMPTION (Max)	30VA
DIMENSIONS (W x D x H)	482mm x 205.5mm x 88mm (19" x 8.1" x 3.46")
SHIPPING DIMENSIONS (W x D x H)	550mm x 290mm x 197mm (21.7" x 11.4" x 7.8")
WEIGHT	
Net Weight	4.5kg (9.9lb)
Shipping Weight	5.7kg (12.6lb)

All measurements are reference to 1.5V (+6dBu)



Lined area for taking notes, consisting of horizontal lines across the page.

