

IMBCB & IMBCW

Boundary Microphone

The IMBCB and IMBCW boundary condenser microphones provide a premium solution for ambient sound recording and sound reinforcement. These cardioid condenser microphones are tailored specifically for distance micing. The frequency response has been tuned to reduce plosive and overly sibilant sounds. Each model is supplied with a rubber isolation pad on the base of each mic to keep mechanical noise and rumble to a minimum.

These quality boundary condenser microphones are highly recommended for ambient recordings, teleconference, boardroom meetings, and many other applications requiring a surface boundary microphone solution.



IMBCW

Features

- Cardioid polar pattern
- High gain before feedback
- Neutral response
- High sensitivity
- Robust diecast chassis

Included Accessories

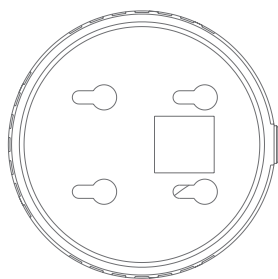
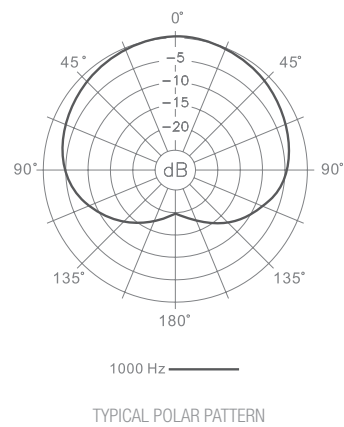
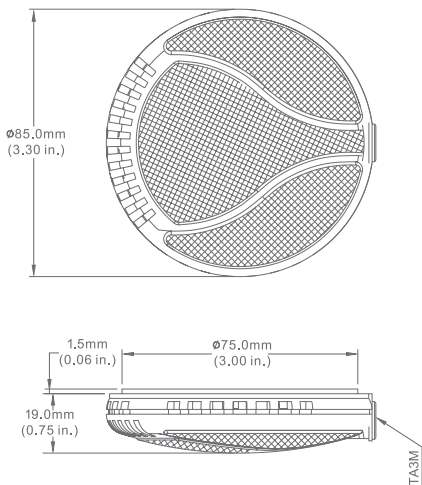
- 10 meter TA3F terminated microphone cable



IMBCB

Specifications

Transducer Type	Black Electret Condenser
Polar Pattern	Cardioid
Frequency Response	30Hz – 18Khz
Sensitivity	11.2 mV/Pa -39 dBV
Electrical Impedance	600 Ω
Min. Load Impedance	2000 Ω
Max. SPL	127dB @ 1% THD
Finish	Matte Black or Matte White
Connection	Balanced 3 pin TA3M Male Pin 2 +, Pin 3 -, Pin 1 shield
Phantom Power	9 – 52Vdc
Current consumption	4 mA
Operating Temp	-10° - +50°C
Dimensions	Ø85 mm x 20.5mm
Net Weight	180g
Included Accessories	10 meter TA3F – unterminated microphone cable



DIMENSIONS

