

IMFOB & IMFOW

Flush Mount Microphones

The IMFOB and IMFOW flush mount condenser microphones provide an unobtrusive solution for ambient sound recording and sound reinforcement. These Half Omni condenser microphones are tailored specifically for distance micing. The frequency response has been tuned to reduce plosive and overly sibilant sounds. Each model is supplied with rubber isolation rings to keep mechanical noise and rumble to a minimum.

These quality flush mount condenser microphones are highly recommended for ambient recordings, teleconference, surveillance, noise sensing and many other application requiring a ceiling and or table flush mounted microphone.



Features

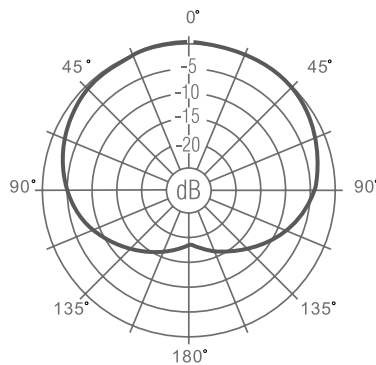
- Half Omni polar pattern
- Tailored Frequency response
- Neutral response
- High sensitivity
- Unobtrusive design

Included Accessories

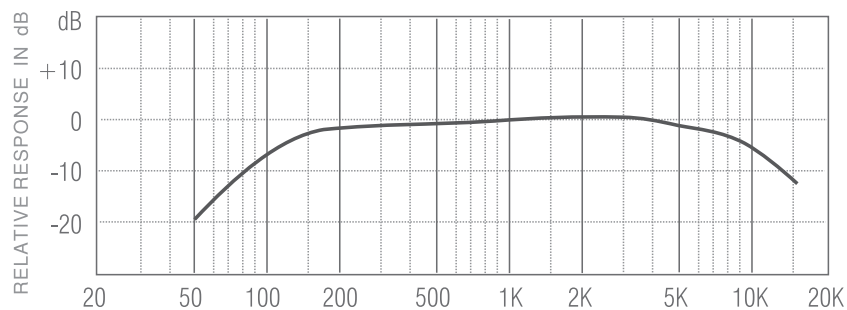
- Rubber isolation rings

Specifications

Transducer Type	Black Electret Condenser
Polar Pattern	Half Omni
Frequency Response	40Hz – 16Khz
Sensitivity	32 mV/Pa -30 dBV
Electrical Impedance	200 Ω
Min. Load Impedance	100 Ω
Max. SPL	132dB @ 1% THD
Finish	Matte Black or Matte White
Connection	Balanced 3 pin XLR Male Pin 2 +, Pin 3 -, Pin 1 shield
Phantom Power	12 – 48Vdc
Current consumption	2 mA
Operating Temp	-10° — +50°C
Dimensions	Ø28 mm x L 73mm
Net Weight	65g
Included Accessories	Rubber isolation rings black or white.



TYPICAL POLAR PATTERN



TYPICAL FREQUENCY RESPONSE

