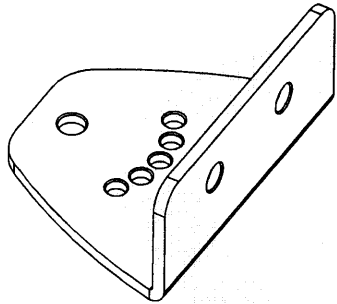
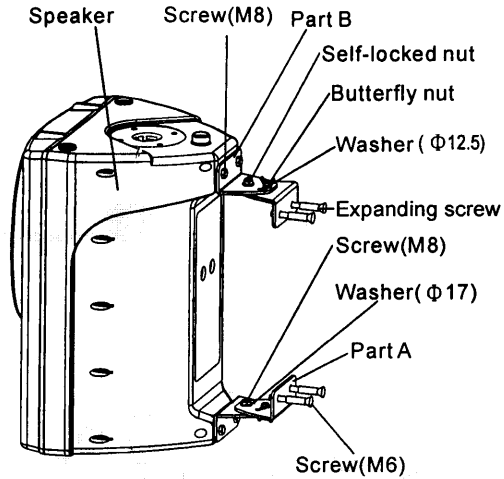


INSTALLATION INSTRUCTION
XR10UB



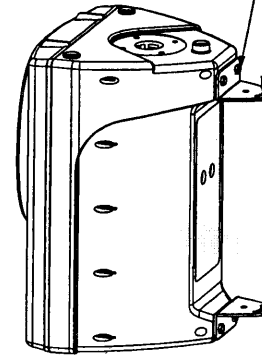
Part B

1



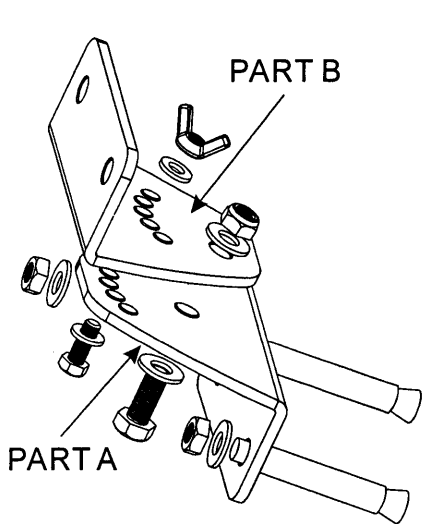
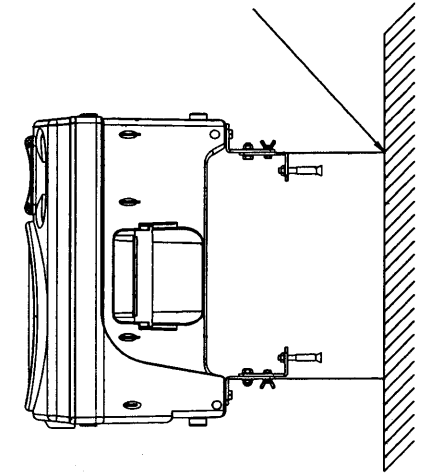
2

Install the Part B on the speaker cabinet



3

Choose the ideal mounting height, mark the installation position of Part A on the mounting surface. Please note the internal position of part A (as the diagram)



PART A

PART B

Mounting surface (side view)

Fix Part A on the mounting surface with expanding screw, washer, screw(M8)

Marked line

Mark the mounting position according to the dimension of part B.

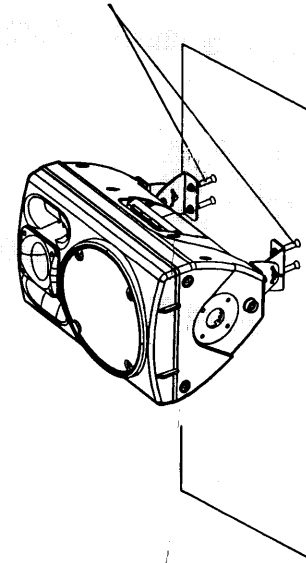
340mm

Front view

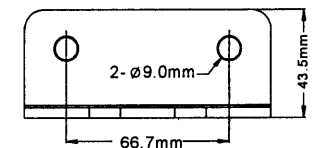
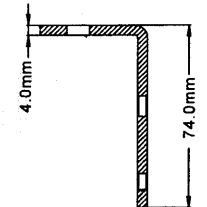
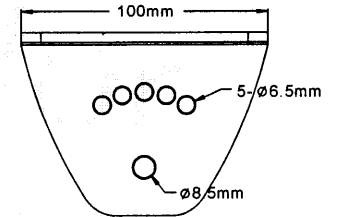
Side view

5

Adjust the dispersion of speaker, then fix the speaker with screw(M6), butterfly nut, washer.



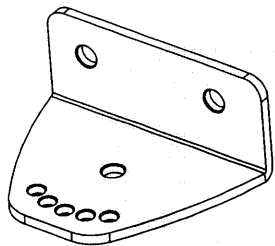
6



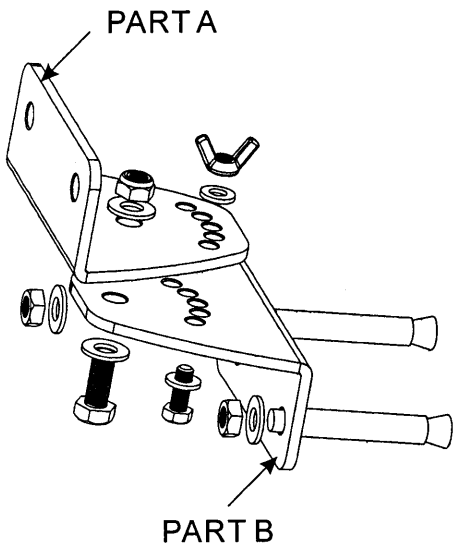
7

INSTALLATION INSTRUCTION

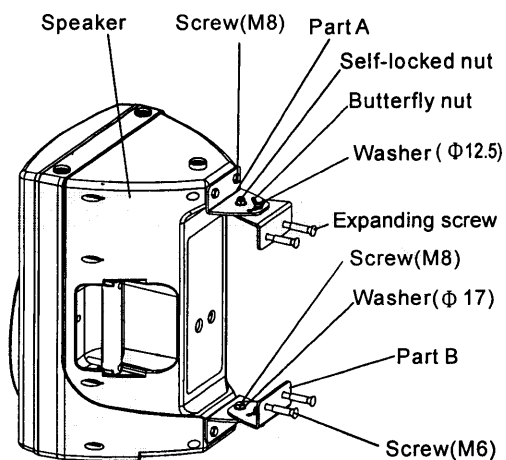
XR12UB



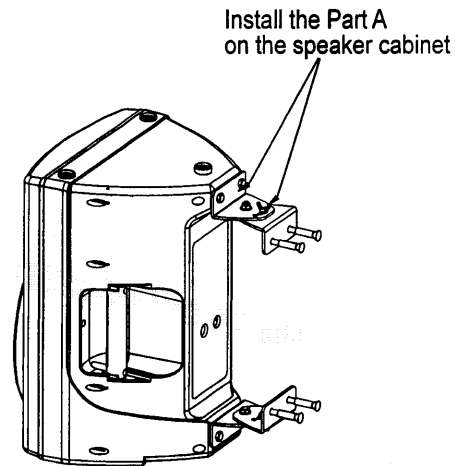
Part A



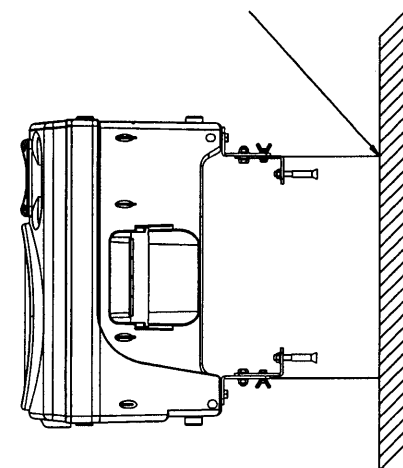
4



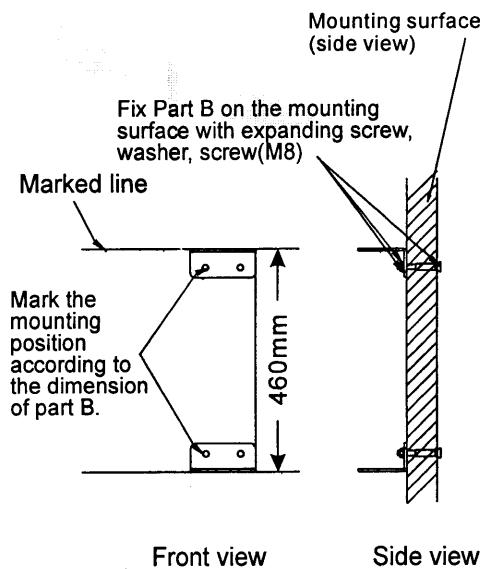
1



2

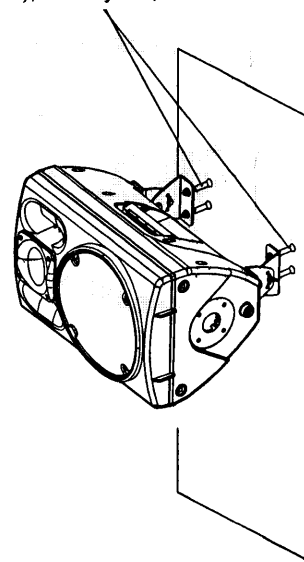


3

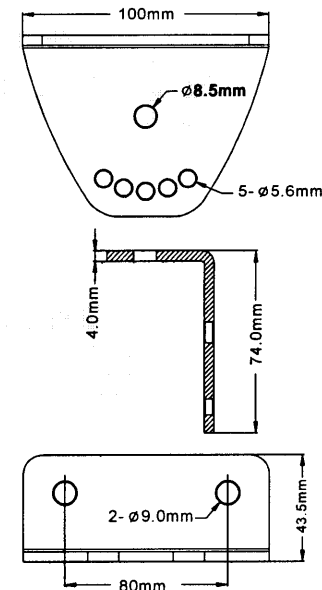


5

Adjust the dispersion of speaker, then fix the speaker with screw(M6), butterfly nut, washer.



6



7