

Part No **AND716** Low Profile Panel Mounted 5G Antenna

The ANT716 is an economically priced, compact, unity gain 5G antenna suited for use in the bands 695-960, 1710-2700 & 3500-3800 MHz. It comes standard with 2metres of low loss cable terminating in an SMA plug connector and is suited for mounting onto telemetry boxes. Comes with "L" Bracket.

This antenna is mounted to supplied bracket or through a 16mm hole in equipment.



Applications

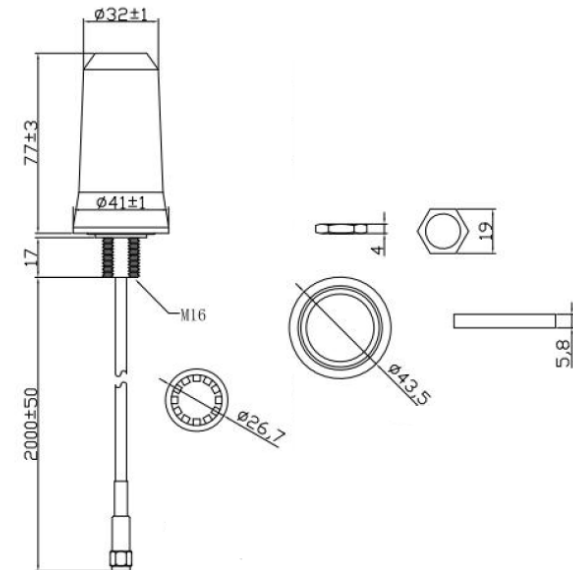
Fixed/mobile solutions for use 5G cellular bands 695-960,1710-2700, 3500-3800

Tuning

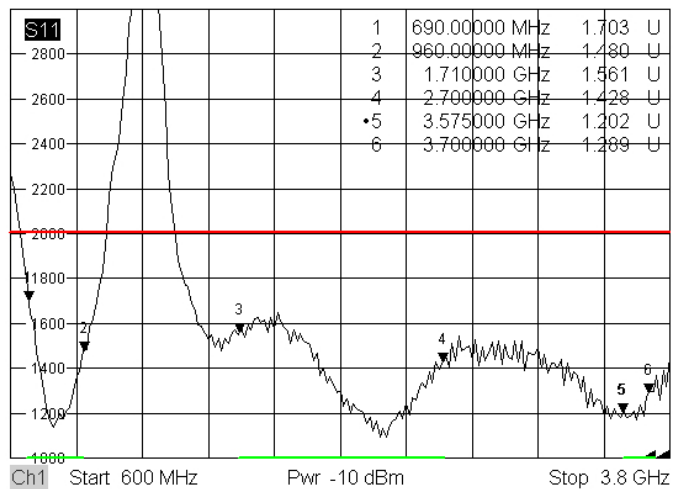
Factory tuned; no tuning required.

Features

- ✓ Cellular **5G**
- ✓ Economically priced
- ✓ Compact
- ✓ Comes complete with 2m of low loss cable terminating in an SMA male connector
- ✓ Reliable & Durable
- ✓ Mounted to optional bracket
- ✓ Requires 16mm mounting hole



VSWR



Packaging

Poly Bag PVC

Specifications

Frequency:	695-960, 1710-2700, 3500-3800 MHz	Power:	5W
VSWR:	< 2:1	Height&Length:	77 x 41mm
Gain:	3dBi	Weight:	160g
Impedance:	50 Ohm	Humidity:	5-95%
Polarization:	Vertical	Termination:	2m Low loss 195 Cable tail, SMA Plug
Radiation Pattern:	Omni directional		