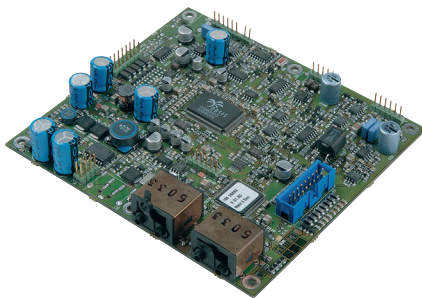


LBB 4433/00 Call Station Kit

www.boschsecurity.com



BOSCH
Invented for life



- ▶ Redundant network connection
- ▶ Power 'ON' outputs
- ▶ Status/fault outputs
- ▶ Output for a monitoring loudspeaker
- ▶ Priority indication of busy target zones

The call station kit is used to make custom-made call stations, with the same functionality as the LBB 4430/00 Call Station Basic. The call station contains a built-in limiter and speech filter for improved intelligibility. An external power supply can be connected to the call station kit. Two supervised control inputs provide power supply status information.

The LBB 4433/00 can be extended with up to 16 keypads (LBB 4432/00 or LBB 4434/00), each with eight programmable keys. Extension with a numeric keypad (PRS-CSNKP) is also possible.

Functions

The call station kit has a limiter and a speech filter. This improves intelligibility and prevents clipping of the audio. A potentiometer for volume control of the monitoring speaker and the headset can be connected. When it plays a chime or a pre-recorded message, the call station activates its speaker. The call station has its own DSP, and converts between analog and digital audio. The audio processing includes sensitivity adjustment, limiting, and parametric equalization.

Up to 16 call station keypads can connect to the station via a serial communication link. The call station provides the power for the keypads. Up to 224

priorities can be assigned to the call station. All configuration can be done via the Praesideo network controller.

The call station kit is fully supervised and supports fail-safe operation. Even if the Praesideo network controller fails, the call station is still able to put through emergency calls.

Controls and indicators

These must be supplied by the installer.

Interconnections

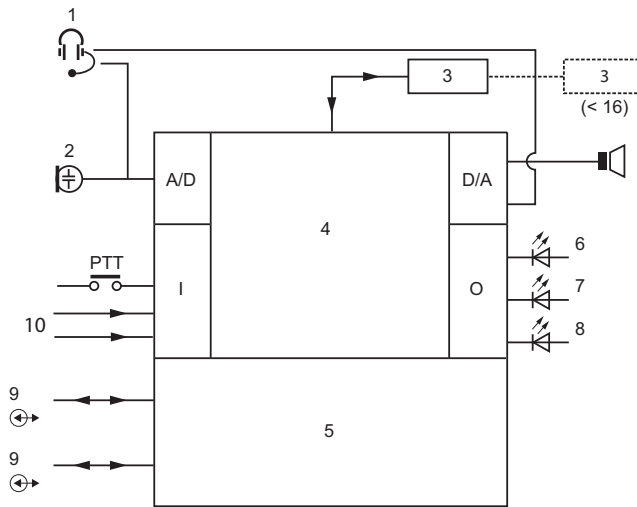
- Two network connectors (system bus)
- Backup supply input and 2 control inputs
- Serial data and power supply interface for call station keypads
- Microphone
- Loudspeaker
- Headset
- Volume control for loudspeaker/headset
- Control input (for PTT)
- Five control outputs (for status LEDs)

Certifications and approvals

Safety	acc. to IEC 60065 / EN 60065
Immunity	acc. to EN 55103-2
Emissions	acc. to EN 55103-1 / FCC-47 part 15B

Emergency	acc. to EN 60849
Maritime	acc. to IEC 60945
Region	Certification
Europe	CE
	GL

Installation/configuration notes



- 1 Headset
- 2 Microphone
- 3 Keypad(s)
- 4 Network processor and DSP
- 5 Network redundancy switching
- 6 Power/error
- 7 Call station status
- 8 Network status
- 9 Network connections
- 10 Control inputs

Parts included

Quantity	Component
1	LBB 4433/00 Call Station Kit
1	Set of connectors

Technical specifications

Electrical

Power consumption	6.2 W (DC) excl. indicators and keypads
Mic input	1 x

Sensitivity	-57 to -42 dBV
S/N	>60 dB at -48 dBV
Frequency response	340 Hz to 14 kHz (-3 dB)
Loudspeaker output	1 x
S/N	80 dB ±3 dB at max.
Impedance	8 to 32 ohm
Power	100 mW typ., 300 mW max.
Headset	1 x
Impedance	0.5 to 5 kohm
Input sensitivity	-57 to -42 dBV/Pa (±3 dB)
Earphone impedance	>16 ohm
Status outputs	5 x open collector / drain
Max. current (internal)	10 mA per pin; 30 mA total
Max. voltage	56 V per pin
Max sink current	100 mA per output pin
Control inputs	2 x closing contact (with supervision)

Mechanical

Dimensions (H x W x D)	20 x 130 x 118 mm (0.8 x 5.1 x 4.6 in)
Weight	120 g (0.26 lb)
Mounting	PCB with 6 mounting holes

Environmental

Operating temperature	-5 °C to +55 °C (+23 °F to +131 °F)
Storage temperature	-40 °C to +70 °C (-40 °F to +158 °F)
Humidity	15% to 90%
Air pressure	600 to 1100 hPa

Ordering information

LBB 4433/00 Call Station Kit

PCB for custom call station with connections for microphone, push-to-talk button and monitoring loudspeaker, powered from Praesideo network. Order number **LBB4433/00**

Accessories

LBB 4434/00 Call Station Keypad Kit

PCB to extend a custom call station with 8 programmable buttons and status indicators, up to 16 keypad kits can be connected to a call station. Order number **LBB4434/00**

LBB 4432/00 Call Station Keypad

Call station keypad with 8 programmable buttons and status indicators, up to 16 keypads can be connected to a call station. Order number **LBB4432/00**

PRS-CSNKP Numeric Keypad

Call station numeric keypad and LCD for controlled user access and zone selection in large systems, can be combined with call station keypads.

Order number **PRS-CSNKP**

Represented by:

Americas:

Bosch Security Systems, Inc.
12000 Portland Avenue South
Burnsville MN 55337, USA
Phone: +1-800-392-3497
Fax: +1-800-955-6831
audiosupport@us.bosch.com
www.boschsecurity.com

Europe, Middle East, Africa:

Bosch Security Systems B.V.
P.O. Box 80002
5617 BA Eindhoven, The Netherlands
Phone: + 31 40 2577 284
Fax: +31 40 2577 330
emea.securitysystems@bosch.com
www.boschsecurity.com

Asia-Pacific:

Robert Bosch (SEA) Pte Ltd, Security Systems
11 Bishan Street 21
Singapore 573943
Phone: +65 6571 2808
Fax: +65 6571 2699
apr.securitysystems@bosch.com
www.boschsecurity.asia

China:

Bosch (Shanghai) Security Systems Ltd.
201 Building, No. 333 Fuquan Road
North IBP
Changning District, Shanghai
200335 China
Phone +86 21 22181111
Fax: +86 21 22182398
www.boschsecurity.com.cn

America Latina:

Robert Bosch Ltda Security Systems Division
Via Anhanguera, Km 98
CEP 13065-900
Campinas, Sao Paulo, Brazil
Phone: +55 19 2103 2860
Fax: +55 19 2103 2862
latam.boschsecurity@bosch.com
www.boschsecurity.com