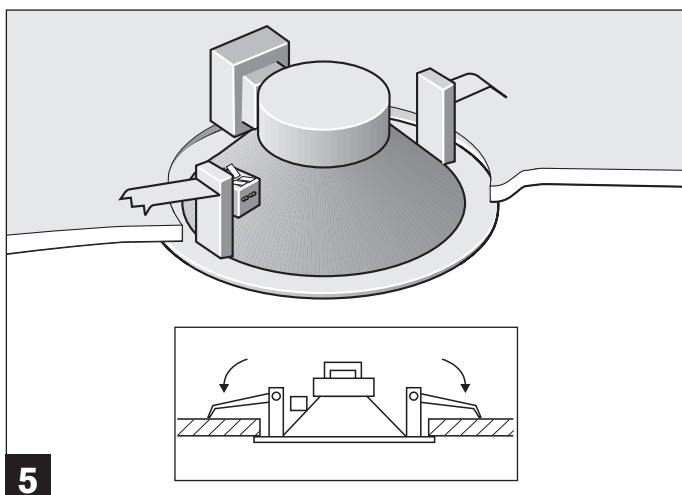
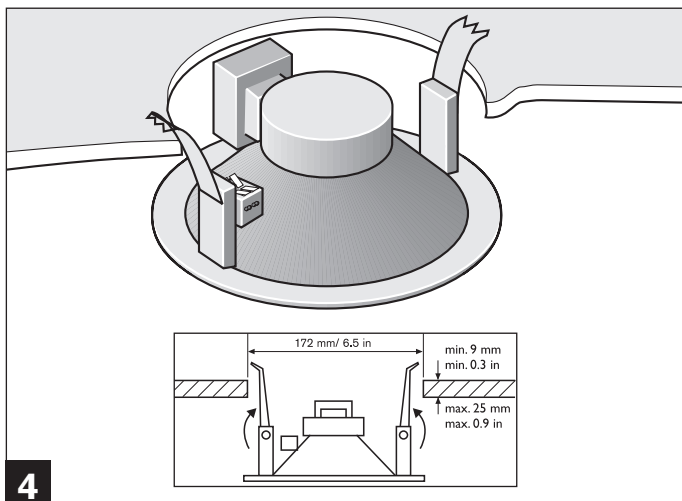
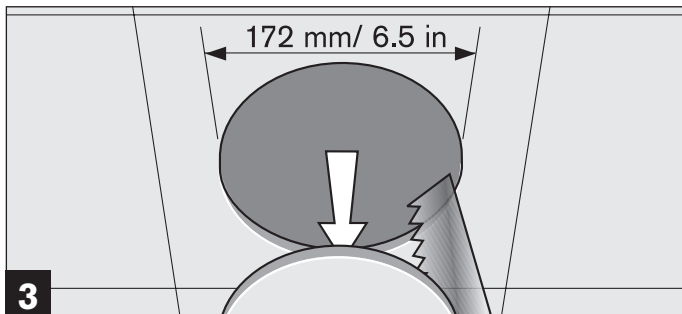
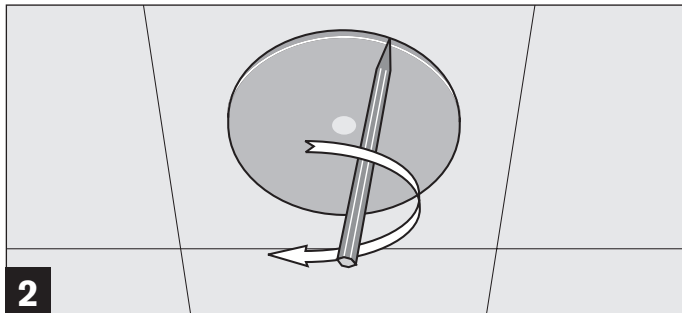
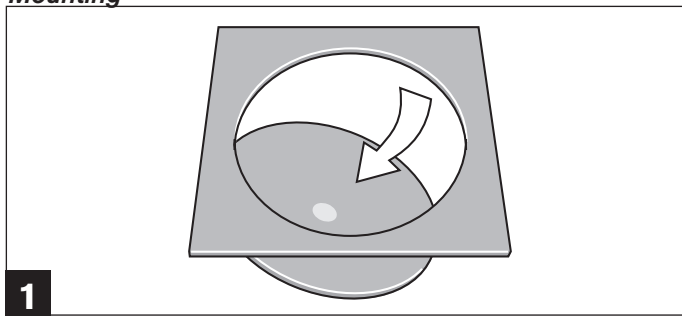
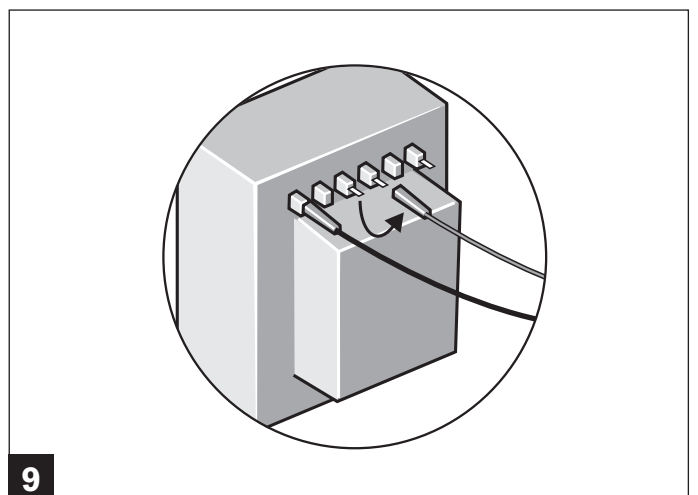
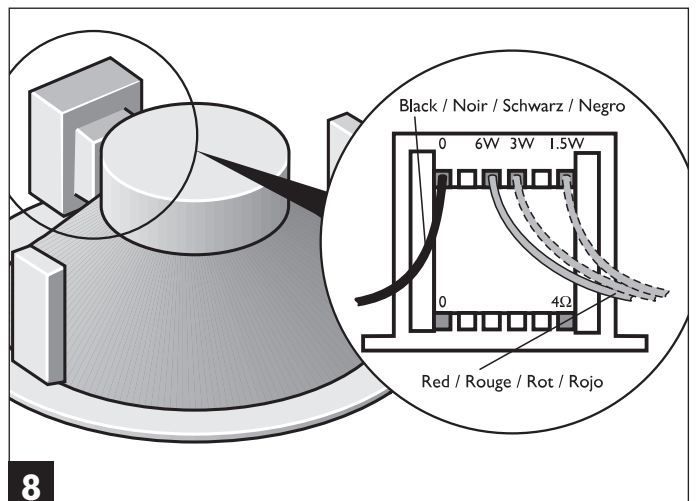
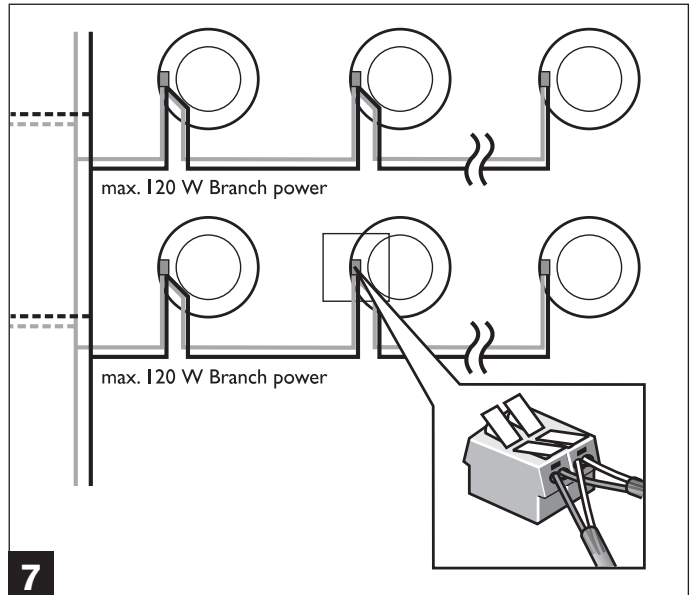
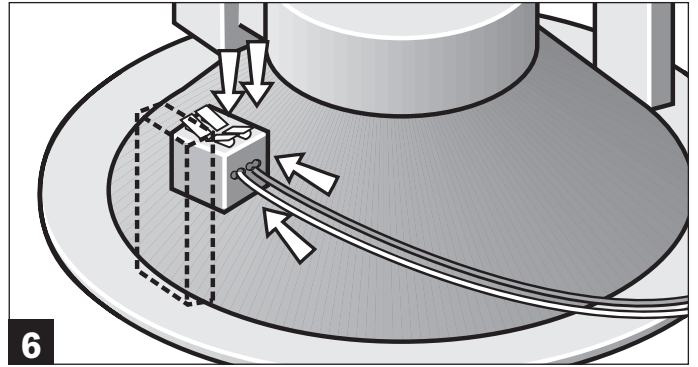
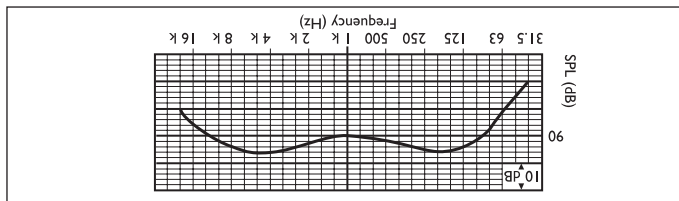


Mounting

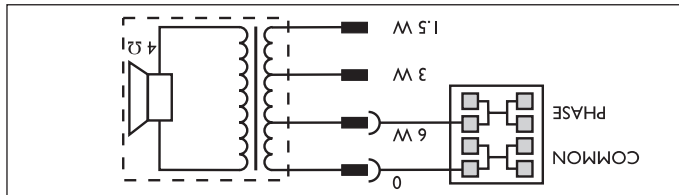


Connection





Circuit diagram

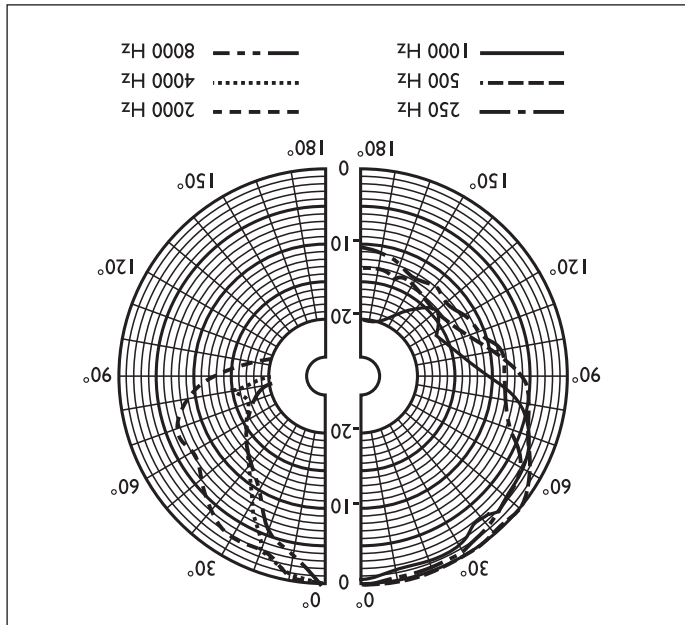


- Max. power (PHC) 9 W
- Rated power (PHC) 6 W (6 - 3 - 1.5 W)
- Sound pressure level at 6 W/1 m
- Effective frequency range (-10 dB) (at 1 kHz, 1 m)
- Opening angle (at 1 kHz/4 kHz, -6 dB)
- Rated voltage 100 V
- Rated impedance 167 Ω
- Speaker size 6"
- Magnet weight 5.3 oz
- Ambient temperature range -25 to +55 °C (-13 to 131 °F)
- Safety acc. to EN 60065
- Ball-proof acc. to DIN 18032-3
- Connection 2-pole push connector
- Dimensions (dia. x max. depth) 199 x 89 mm (7.8 x 3.5 in)
- Mounting cut-out dia. 172 mm (6.5 in)
- Colour White (RAL 9010)
- Weight 990 g (2.2 lb)

- Max. power (PHC) 9 W
- Rated power (PHC) 6 W (6 - 3 - 1.5 W)
- Sound pressure level at 6 W/1 m
- Effective frequency range (-10 dB) (at 1 kHz, 1 m)
- Opening angle (at 1 kHz/4 kHz, -6 dB)
- Rated voltage 100 V
- Rated impedance 167 Ω
- Speaker size 6"
- Magnet weight 5.3 oz
- Ambient temperature range -25 to +55 °C (-13 to 131 °F)
- Safety acc. to EN 60065
- Ball-proof acc. to DIN 18032-3
- Connection 2-pole push connector
- Dimensions (dia. x max. depth) 199 x 89 mm (7.8 x 3.5 in)
- Mounting cut-out dia. 172 mm (6.5 in)
- Colour White (RAL 9010)
- Weight 990 g (2.2 lb)

TECHNICAL PERFORMANCE DATA ACC. TO IEC 268-5

Polar diagram



LBC 3090/31

Loudspeakers



EN Instructions for use
LBC 3090/31