

LC2-PC60G6-10 Premium-sound Subwoofer Ceiling Loudspeaker 60W

www.boschsecurity.com



BOSCH
Invented for life



- ▶ 10-inch high-excursion loudspeaker for extended LF
- ▶ Low pass network with overload protection
- ▶ Front baffle wattage tap adjustment
- ▶ Includes tile bridge and mounting ring for easy installation
- ▶ BS 5839-8 and EN 60849 compliant

The LC2-PC60G6-10 is an 10-inch Premium-sound Subwoofer Ceiling Loudspeaker which is designed to augment the low frequency response of any LC2 Premium-sound full range ceiling loudspeaker. It consists of a baffle assembly, grille, back-can enclosure, 10-inch coax high-excursion LF loudspeaker and internal output-power matching transformer. The rear enclosure and loudspeaker provides an optimum internal volume for extended low frequency performance.

The loudspeaker utilizes a second order crossover network to provide the correct band-pass frequency response for use with any LC2 Premium-sound full range ceiling loudspeaker.

Functions

Voice alarm loudspeaker

Voice alarm loudspeakers are specifically designed for use in buildings where performance of systems for verbal evacuation announcements is governed by regulations. The LC2-PC60G6-10 is designed for use in voice alarm systems and is compliant with British Standard BS 5839-8 and EN 60849.

Protection

The loudspeaker has built-in protection to ensure that, in the event of a fire, damage to the loudspeaker does not result in failure of the circuit to which it is connected. In this way, system integrity is maintained; ensuring loudspeakers in other areas can still be used to inform people of the situation. It is standard fitted with a back-can enclosure to increase protection of the cable termination.

The loudspeaker has an emergency compliant ceramic screw-terminal block and thermal fuse.

Certifications and approvals

All Bosch loudspeakers are designed to withstand operating at their rated power for 100 continuous hours in accordance with IEC 268-5 Power Handling Capacity (PHC) standards. Bosch has also developed the Simulated Acoustical Feedback Exposure (SAFE) test to demonstrate that they can withstand two times their rated power for short durations. This ensures improved reliability under extreme conditions, leading

to higher customer satisfaction, longer operating life, and lessens the chance of failure or performance deterioration.

Safety	according to EN 60065
Emergency	according to BS 5839-8 / EN 60849
Region	Certification
Europe	CE

Installation/configuration notes

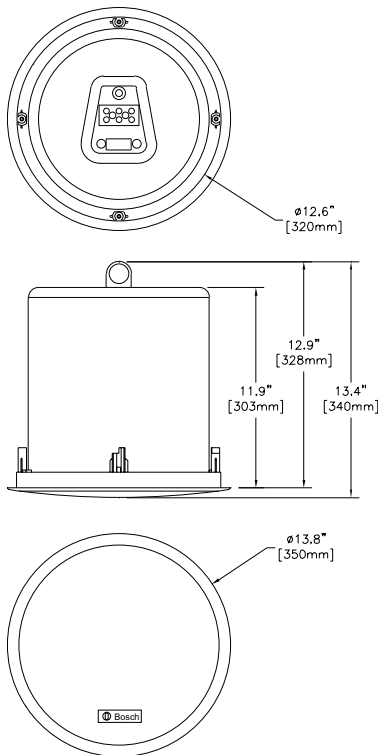
Mounting

The loudspeaker is secured in ceilings using four integral toggle anchors, and has been designed to work together in a wide range of different ceiling constructions. A tile bridge / C-ring is included for safe suspension in a drop ceiling that uses mineral wool, or other fiber-based ceiling tiles from 4 to 25 mm (0.16 to 1.0 in.) thick.

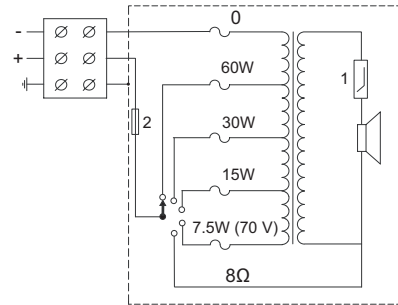
A circular template for marking a 322 mm (12.625 in.) diameter hole is included with the loudspeaker.

Power setting

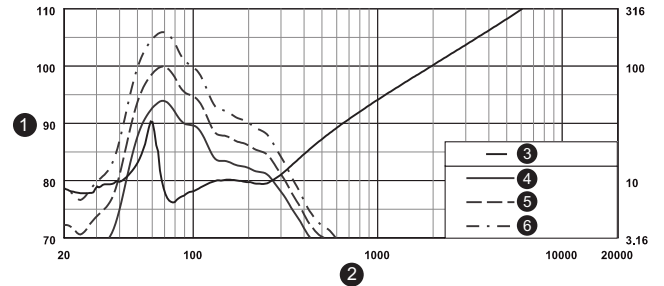
The unit has a three-way emergency compliant ceramic terminal block with screw connections (including earth) suitable for loop-through wiring. three 100 V, and four 70 V, primary taps are provided on the matching transformer to allow selection of nominal full-power, half-power, quarter-power, eighth-power radiation (in 3 dB steps) and eight ohm. Selection is done via a convenient switch on the front baffle.



Dimensions in Inch / [mm]



Circuit diagram (1: Low Pass Filter, 2: Thermal fuse)



1	SPL, 1W/1m (dB)
2	Frequency (Hz)
3	Impedance (Ohms)
4	Frequency response, half space
5	Frequency response, quarter space
6	Frequency response, eight space

Frequency response

Parts included

Quantity	Components
1	LC2-PC60G6-10 Premium-sound Subwoofer Ceiling Loudspeaker
1	322 mm (12.625 in.) circular cut-out template
1	Tile bridge / C-ring
1	Paint shield
1	Installation instruction

Technical specifications

Electrical

Maximum power	100 W
Rated power	60 / 30 / 15 / (7.5 W only, 70 V).
Sound pressure level at 60 W / 1 W (70 Hz, 1 m)	112 / 94 dB (SPL)
Effective frequency range (-10 dB)	45 Hz to 150 Hz
Coverage (conical)	180°

Rated voltage	70 V or 100 V
Rated impedance	83 or 167 or 8 ohm
LF transducer	254 mm (10 in.) Polypropylene cone
Connector	3-pole ceramic screw terminal block

Mechanical

Diameter	350 mm (13.8 in)
Maximum depth	303 mm (11.9 in)
Ceiling thickness	4 to 25 mm (0.16 to 1.00 in.)
Mounting cut-out	322 + 5 mm (10.75 + 0.20 in.)
Material	
Baffle	ABS (UL94V0)
Back-can	Zinc-plated steel
Grille	Powder coated steel
Weight	7 kg (15.5 lb)
Color	White (RAL 9010)

Environmental

Operating temperature	-25 °C to +55 °C (-13 °F to +131 °F)
Storage temperature	-40 °C to +70 °C (-40 °F to +158 °F)
Relative humidity	<95%

Ordering information

LC2-PC60G6-10 Premium-sound Subwoofer Ceiling Loudspeaker 60W

60 W, 10-inch subwoofer ceiling loudspeaker (packing include 2 pieces)

Order number **LC2-PC60G6-10**

Represented by:

Americas:

Bosch Security Systems, Inc.
12000 Portland Avenue South
Burnsville MN 55337, USA
Phone: +1-800-392-3497
Fax: +1-800-955-6831
audiosupport@us.bosch.com
www.boschsecurity.com

Europe, Middle East, Africa:

Bosch Security Systems B.V.
P.O. Box 80002
5617 BA Eindhoven, The Netherlands
Phone: + 31 40 2577 284
Fax: +31 40 2577 330
emea.securitysystems@bosch.com
www.boschsecurity.com

Asia-Pacific:

Robert Bosch (SEA) Pte Ltd, Security Systems
11 Bishan Street 21
Singapore 573943
Phone: +65 6571 2808
Fax: +65 6571 2699
apr.securitysystems@bosch.com
www.boschsecurity.asia

China:

Bosch (Shanghai) Security Systems Ltd.
201 Building, No. 333 Fuquan Road
North IBP
Changning District, Shanghai
200335 China
Phone +86 21 22181111
Fax: +86 21 22182398
www.boschsecurity.com.cn

America Latina:

Robert Bosch Ltda Security Systems Division
Via Anhanguera, Km 98
CEP 13065-900
Campinas, Sao Paulo, Brazil
Phone: +55 19 2103 2860
Fax: +55 19 2103 2862
al.securitysystems@bosch.com
www.boschsecurity.com