

# PLE-1CS Plena All-Call Call Station

www.boschsecurity.com



**BOSCH**  
Invented for life



- ▶ PTT-key for calls for activation
- ▶ Momentary or toggle
- ▶ Green LED, indicating microphone active
- ▶ Stable metal base design with fixed 2 m cable and lockable Euro style connector
- ▶ Phantom powered by amplifier

The Plena tabletop microphone is a stylish, high-quality tabletop unidirectional condenser microphone, intended for making calls in a public address system. Its heavy metal base and rubber feet ensure stability on any flat surface. The special design also allows the unit to be neatly flush-mounted in desktops.

## Functions

The PTT-key (press-to-talk), not only switches on the microphone, but also provides priority contacts, that are compatible with the Plena range of amplifiers. The switching characteristic of the PTT-key can be configured internally for PTT-mode (on as long as pressed) or toggle-mode (press to switch on, press again to switch off).

It is equipped with a fixed, flexible 2 m cable and a 5-pin Euro style connector for the balanced signal and the priority contact. If the priority contact is not required, the microphone can be connected to amplifiers with 3-pin Euro style connector.

A green LED indicates when the microphone is active.

## Controls and indicators

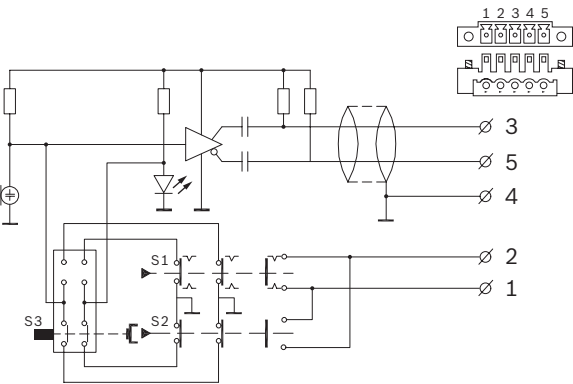
- PTT-key
- PTT status LED

## Certifications and Approvals

Safety	acc. to EN 60065
Immunity	acc. to EN 55103-2
Emission	acc. to EN 55103-1

Region	Certification
Europe	CE

**Installation/Configuration Notes**



Circuit diagram

**Parts Included**

Quantity	Component
1	PLE-1CS PLENA All Call Call Station

**Technical Specifications**

**Electrical**

Phantom power supply	
Voltage range	12 to 48 V
Current consumption	<8 mA

**Performance**

Sensitivity	0.7 mV @ 85 dB SPL (2 mV/Pa)
Maximum input sound level	110 dB SPL
Distortion	<0.6% (maximum input)
Input noise level (equiv.)	28 dB SPLA (S/N 66 dBA ref. 1 Pa)
Frequency response	100 Hz to 16 kHz
Output impedance	200 ohm

**Mechanical**

Base dimensions (H x W x D)	40 x 100 x 235 mm (1.57 x 3.97 x 9.25 in)
Weight	Approx. 1 kg (2.2 lb)
Color	Charcoal with silver
Stem length with mic.	390 mm (15.35 in)
Cable length	2 m (6.56 ft)

**Environmental**

Operating temperature	-10 °C to +45 °C (14 °F to +113 °F)
Storage temperature	-40 °C to +70 °C (-40 °F to +158 °F)
Relative humidity	<95%

**Ordering Information**

**PLE-1CS Plena All-Call Call Station**

metal base design with fixed 2 m cable and lockable Euro style connector  
Order number **PLE-1CS**

# Plena Call Station



Security Systems

**en** | Quick Reference Card  
PLE-1CS

**fr** | Guide de Référence Rapide  
PLE-1CS

**de** | Kurzanleitung  
PLE-1CS

**es** | Guía de Referencia Rápida  
PLE-1CS

**nl** | Beknopte Handleiding  
PLE-1CS

**it** | Guida Rapida  
PLE-1CS

**zh** | Quick Reference Card  
PLE-1CS



**BOSCH**

**en** **Technical data**  
*Phantom power supply*

Voltage range	12-48 V
Current consumption	<8 mA
Sensitivity	0.7 mV at 85 dB SPL (i.e. 2 mV/Pa)
Maximum input sound level	110dB SPL
Distortion	<0,6% (max. input)
Equivalent input noise level	28 dBA SPL (i.e. S/N 66 dBA ref. 1Pa)
Frequency response	100 Hz - 16 kHz
Output impedance	200 Ohm
Operating temperature range	-10 to +55°C
Storage temperature range	-40 to +70°C
Relative humidity	<95%
EMC emission	acc. to EN 55103-1
EMC immunity	acc. to EN 55103-2
Dimensions (base)	40 x 100 x 235 mm
Stem length	390 mm
Weight	approx. 1 kg

**nl** **Technische gegevens**  
*Fantoomvoeding*

Spanningsbereik	12 V - 48 V
Stroomverbruik	<8 mA
Gevoeligheid	0,7 mV bij 85 dB SPL (2 mV/Pa)
Max. niveau ingangssignaal	110 dB SPL
Vervorming	<0,6% (max. ingangsniveau)
Equivalent ruisniveau	28 dBA SPL (S/R 66 dBA ref. 1Pa)
Frequentiebereik	100 Hz - 16 kHz
Uitgangsimpedantie	200 Ohm
Temperatuur, in bedrijf	-10°C tot +55°C
Temperatuur, buiten bedrijf	-40°C tot +70°C
Relatieve luchtvochtigheidsgraad	<95%
EMC-emissie	conform EN 55103-1
EMC-immuniteit	conform EN 55103-2
Afmetingen (voet)	40 x 100 x 235 mm
Halslengte	390 mm
Gewicht	ca. 1 kg

**fr** **Spécifications techniques**  
*Alimentation fantôme*

Plage de tensions	12-48 V
Consommation électrique	<8 mA
Sensibilité	0,7 mV, NPA de 85 dB (2 mV/Pa)
Niveau sonore max. en entrée NPA de	110 dB SPL
Distorsion	< 0,6% (max. en entrée)
Niveau sonore équivalent en entrée	28 dBA SPL (S/B de 66 dBA réf. 1 Pa)
Réponse en fréquence	100 Hz - 16 kHz
Impédance en sortie	200 Ohms
Températures en fonctionnement	-10 à +55°C
Températures de stockage	-40 à +70°C
Humidité relative	<95%
Emission EMC, standard	EN 55103-1
Immunité EMC, standard	EN 55103-2
Dimensions (base)	40 x 100 x 235 mm
Longueur perche	390 mm
Poids	approximatif 1 kg

**it** **Specifiche tecniche**  
*Alimentazione fantasma*

Gamma tensioni	12-48 V
Consumo	<8 mA
Sensibilità	0,7 mV a 85 dB SPL (ossia 2mV/Pa)
Livello audio ingresso massimo	110 dB SPL
Distorsione	<0,6% (max. ingresso)
Livello rumore ingresso equivalente	28 dBA SPL (ossia S/R 66 dBA rif. 1Pa)
Risposta in frequenza	100 Hz - 16 kHz
Impedenza in uscita	200 Ohm
Gamma temperature operative: da	-10°C a +55°C
Gamma temperature in stoccaggio da	-40°C a +70°C
Umidità relativa	<95%
Emissioni EMC in acc.	con EN 55103-1
Immunità EMC in acc.	con EN 55103-2
Dimensioni (base)	40 x 100 x 235 mm
Lunghezza stelo	390 mm
Peso	(circa) 1 kg

**de** **Technische Daten**  
*Phantomspeisung*

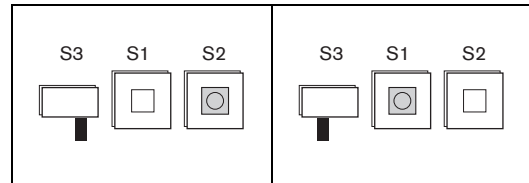
Spannungsbereich	12-48 V
Stromaufnahme	<8 mA
Empfindlichkeit	0,7 mV bei 85 dB SPL (d.h. 2 mV/Pa)
Grenzeingangsschalldruckpegel	110 dB SPL
Klirrfaktor	<0,6% (max. Eingang)
Äquivalenteingangsschalldruckpegel	28 dBA SPL (d.h. S/R 66 dBA bezogen auf 1Pa)
Frequenzgang	100 Hz - 16 kHz
Ausgangsimpedanz	200 Ohm
Betriebstemperaturbereich	-10 bis +55 °C
Lagertemperaturbereich	-40 bis +70 °C
Relative Luftfeuchtigkeit	<95%
EMV: Störaussendung	gemäß EN 55103-1
EMV: Störfestigkeit	gemäß EN 55103-2
Abmessungen (Basis)	40 x 100 x 235 mm
Armlänge	390 mm
Gewicht	ca. 1 kg

**zh** **Technical data**  
*Phantom power supply*

Voltage range	12-48 V
Current consumption	<8 mA
Sensitivity	0.7 mV at 85 dB SPL (i.e. 2 mV/Pa)
Maximum input sound level	110dB SPL
Distortion	<0,6% (max. input)
Equivalent input noise level	28 dBA SPL (i.e. S/N 66 dBA ref. 1Pa)
Frequency response	100 Hz - 16 kHz
Output impedance	200 Ohm
Operating temperature range	-10 to +55°C
Storage temperature range	-40 to +70°C
Relative humidity	<95%
EMC emission	acc. to EN 55103-1
EMC immunity	acc. to EN 55103-2
Dimensions (base)	40 x 100 x 235 mm
Stem length	390 mm
Weight	approx. 1 kg

**es** **Datos técnicos**  
*Fuente de alimentación fantasma*

Rango de voltaje	12-48 V
Consumo de corriente	<8 mA
Sensibilidad	0,7 mV a 85 dB SPL (es decir, 2 mV/Pa)
Nivel máximo de entrada de sonido	110 dB SPL
Distorsión	<0,6% (entrada máx.)
Nivel equivalente de ruido de entrada	28 dBA SPL (esto es, S/R 66 dBA ref. 1Pa)
Respuesta de frecuencia	100 Hz - 16 kHz
Impedancia de salida	200 Ohm
Rango de temperatura en servicio	-10 a +55 °C
Rango de temperatura de almacenamiento	-40 a +70 °C
Humedad relativa	<95%
Emissiones EMC	según EN 55103-1
Inmunidad EMC	según EN 55103-2
Dimensiones (base)	40 x 100 x 235 mm
Longitud de la varilla	390 mm
Peso	aprox. 1 kg



<b>en</b>	momentary	latching
<b>fr</b>	momentané	maintenu
<b>de</b>	momentan	festhaltend
<b>es</b>	momentáneo	enclavado
<b>nl</b>	momenteel	vasthoudend
<b>it</b>	momentaneo	a ritenzione
<b>zh</b>	momentary	latching

