

Praesideo Call Station Remote Module

www.boschsecurity.com



BOSCH
Invented for life



- ▶ Connects to call station interface via CAT-5 cable
- ▶ Up to 1 km from Praesideo optical network
- ▶ Connection for keypads
- ▶ Connection for transducers and status LEDs
- ▶ Stable metal enclosure

The PRM-CSR is a module with the same functionality as the remote call station, PRM-CSR, but without its housing and other components. It is a building block to make custom call stations or panels. It connects via a CAT-5 cable, one-to-one, to the call station interface, PRM-CSI, which is part of the Praesideo optical network. The CAT-5 cable, carrying digital audio and control data, can be as long as 1 km. The CAT-5 cable does not contribute to the Praesideo optical network length. This considerably increases the overall possible length of the network.

The PRM-CSR can be extended with up to 16 keypads (LBB 4432/00 or PRM-CSKPM), each with eight configurable keys. Extension with a numeric keypad (PRM-CSNKP) is also possible.

Functions

The call station module has a connection for a supervised microphone. A limiter and a speech filter improve intelligibility and prevent clipping of the audio. It has a volume control for the monitoring speaker and the headset. When it plays a chime or a pre-recorded message, this can be monitored via a connected loudspeaker or headphone. When a headset is connected, it replaces the microphone and speaker. The call station has its own DSP for audio processing functions, including sensitivity adjustment, limiting, and parametric equalization.

The module gets its power from the interface unit via the CAT-5 cable, but is also equipped with a local power supply connection for extreme cases with a very long cable and many keypads.

Call station keypads can connect to the module via a serial communication link. The module provides the power for the keypads.

The remote call station is fully supervised and supports fail-safe operation. Even if the Praesideo network controller fails, the call station is still able to put through emergency calls.

Controls and indicators

These must be supplied by the installer.

Interconnections

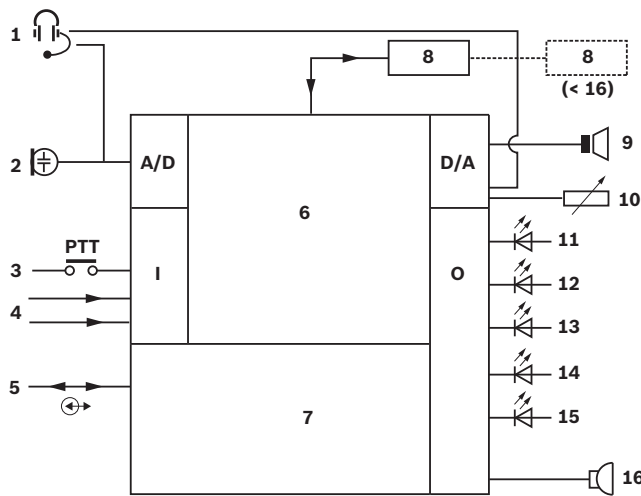
- External power supply input and 2 control inputs
- Serial data and power supply interface for call station keypads
- Microphone
- Loudspeaker
- Buzzer
- Headset
- Volume control for loudspeaker/headset
- Control input (for Press-to-Talk button)
- Five control outputs (for status LEDs)

Certifications and approvals

Safety	acc. to IEC 60065 / EN 60065
Immunity	acc. to EN 55103-2
Emissions	acc. to EN 55103-1 / FCC-47 part 15B
Emergency	acc. to EN 60849, EN54-16 and ISO7240-16
Maritime	acc. to IEC 60945 (except salt mist test)

Region	Certification	
Europe	CE	COC
	CE	COC
	CE	

Installation/configuration notes



- 1 Headset
- 2 Microphone
- 3 Push-To-Talk switch
- 4 Control inputs
- 5 Network connection
- 6 Network processor and DSP
- 7 Network redundancy switching
- 8 Keypad(s)
- 9 Loudspeaker output
- 10 Volume control
- 11 Power status
- 12 Fault status
- 13 Call status
- 14 Emergency status

- 15 System fault status
- 16 Buzzer

Parts included

Quantity	Component
1	PRS-CSRSM Call Station Remote Module
1	Set of connectors

Technical specifications

Electrical

Power consumption	4 W at 48 V without keypads
External power supply	18 to 56 VDC

Microphone

Sensitivity	-63 to -48 dBV
SNR	>60 dB at -55 dBV
Frequency response	340 Hz to 14 kHz (-3 dB)

Loudspeaker output

S/N	80 dB ±3 dB at max.
Impedance	8 to 32 ohm
Power	100 mW typ., 300 mW max.

Headset

Input sensitivity	-52 to -37 dBV
Earphone impedance	>16 ohm

Status outputs

Max. current (internal)	10 mA per pin; 30 mA total
Max. voltage	56 V per pin
Max sink current	100 mA per output pin

Control inputs

Operation	Closing contact (with supervision)
-----------	------------------------------------

Mechanical

Dimensions (H x W x D)	43 x 183 x 164 mm (1.69 x 7.20 x 6.46 in)
Weight	0.8 kg (1.76 lb)
Mounting	Stackable metal enclosure

Environmental

Operating temperature	-5 °C to +55 °C (+23 °F to +131 °F)
Storage temperature	-20 °C to +70 °C (-4 °F to +158 °F)
Humidity	15% to 90%
Air pressure	600 to 1100 hPa

Ordering information

Praesideo Call Station Remote Module

Module for custom remote call station, connections for microphone, push-to-talk button, monitoring loudspeaker, to be connected to a PRS-CSI via a CAT-5 cable.

Order number **PRS-CSR**

Accessories

PRS-CSI Call Station Interface

Compact unit with mounting clamp, interface between Praesideo network and a remote CAT-5 connected call station up to 1000 m away, powered from Praesideo network.

Order number **PRS-CSI**

Praesideo Call Station Keypad Module

Module to extend a custom call station with 8 programmable buttons and status indicators, up to 16 keypad kits can be connected to a call station.

Order number **PRS-CSKPM**

LBB 4432/00 Call Station Keypad

Call station keypad with 8 programmable buttons and status indicators, up to 16 keypads can be connected to a call station.

Order number **LBB4432/00**

PRS-CSNKP Numeric Keypad

Call station numeric keypad and LCD for controlled user access and zone selection in large systems, can be combined with call station keypads.

Order number **PRS-CSNKP**

Represented by:

Americas:

Bosch Security Systems, Inc.
12000 Portland Avenue South
Burnsville MN 55337, USA
Phone: +1-800-392-3497
Fax: +1-800-955-6831
audiosupport@us.bosch.com
www.boschsecurity.com

Europe, Middle East, Africa:

Bosch Security Systems B.V.
P.O. Box 80002
5617 BA Eindhoven, The Netherlands
Phone: + 31 40 2577 284
Fax: +31 40 2577 330
emea.securitysystems@bosch.com
www.boschsecurity.com

Asia-Pacific:

Robert Bosch (SEA) Pte Ltd, Security Systems
11 Bishan Street 21
Singapore 573943
Phone: +65 6571 2808
Fax: +65 6571 2699
apr.securitysystems@bosch.com
www.boschsecurity.asia

China:

Bosch (Shanghai) Security Systems Ltd.
201 Building, No. 333 Fuquan Road
North IBP
Changning District, Shanghai
200335 China
Phone +86 21 22181111
Fax: +86 21 22182398
www.boschsecurity.com.cn

America Latina:

Robert Bosch Ltda Security Systems Division
Via Anhanguera, Km 98
CEP 13065-900
Campinas, Sao Paulo, Brazil
Phone: +55 19 2103 2860
Fax: +55 19 2103 2862
latam.boschsecurity@bosch.com
www.boschsecurity.com