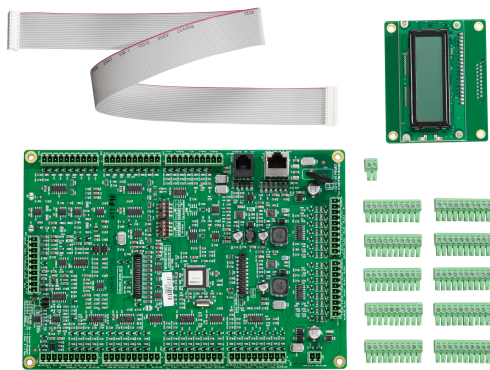


PVA-CSK PAVIRO Call Station Kit

www.boschsecurity.com



BOSCH
Invented for life



- ▶ Connectors for 15 free programmable function keys
- ▶ Connectors for 3 alarm buttons or key switches
- ▶ Connectors for microphone (integrated pre-amplifier with compressor/limiter)
- ▶ Connector for loudspeaker
- ▶ Extensive monitoring functions

The PVA-CSK call station kit is a call station printed circuit board (PCB) for the PAVIRO system. The circuit board allows an application-specific call station to be installed, such as a fire department call station. The call station kit is based on the call station, but has been optimized so that it is easy to adapt to different application areas. In addition to the stem microphone familiar from the PVA-15CST, a dynamic EMERGENCY microphone such as the LBB9081 can also be connected. The call station kit equipped with an illuminated LC display (122 x 32 pixels). The call station has the following features:

- Possible to connect microphone with pre-amplifier and compressor/limiting switch
- Possible to connect five pre-programmed menu/function buttons
- Possible to connect up to 15 function and selection buttons, programmable button assignment
- Possible to connect up to three alarm buttons or key switches
- Possible to connect an external microphone or audio source
- Possible to connect a loudspeaker
- High-resolution LC display
- Comprehensive parameter settings menu on the actual call station
- Microphone and line monitoring

- Error message via LED and buzzer, and error text in the LC display
- Processor control of all functions
- Monitoring of the processor system via watchdog circuit

• Non-volatile FLASH memory for configuration data

The call station is processor-controlled, and equipped with extensive monitoring functions. Line monitoring for the CAN bus and for audio transmission allows line interruptions and short-circuits to be detected and indicated to the user. The microphone, PTT button, alarm button and key switch monitoring allows line interruptions and short-circuits to be detected and reported.

The call stations for the PAVIRO system can be configured quickly and easily using IRIS-Net. A graphical and dialog-based user interface allows the user to define all button functions, priorities, options, and other properties.

Parts included

Number	Component
1	PVA-CSK printed circuit board
1	PVA-CSK display

Number	Component
1	Connection cable for display (50 cm)
10	Euroblock connector 10-pole (Phoenix, MC 1,5/10-STF-3,81, 1803659, F.01U.241.148)
1	Euroblock connector 2-pole (Dinkle, EC381V-02P, F.01U.066.918)
1	Operation manual
1	Important safety instructions

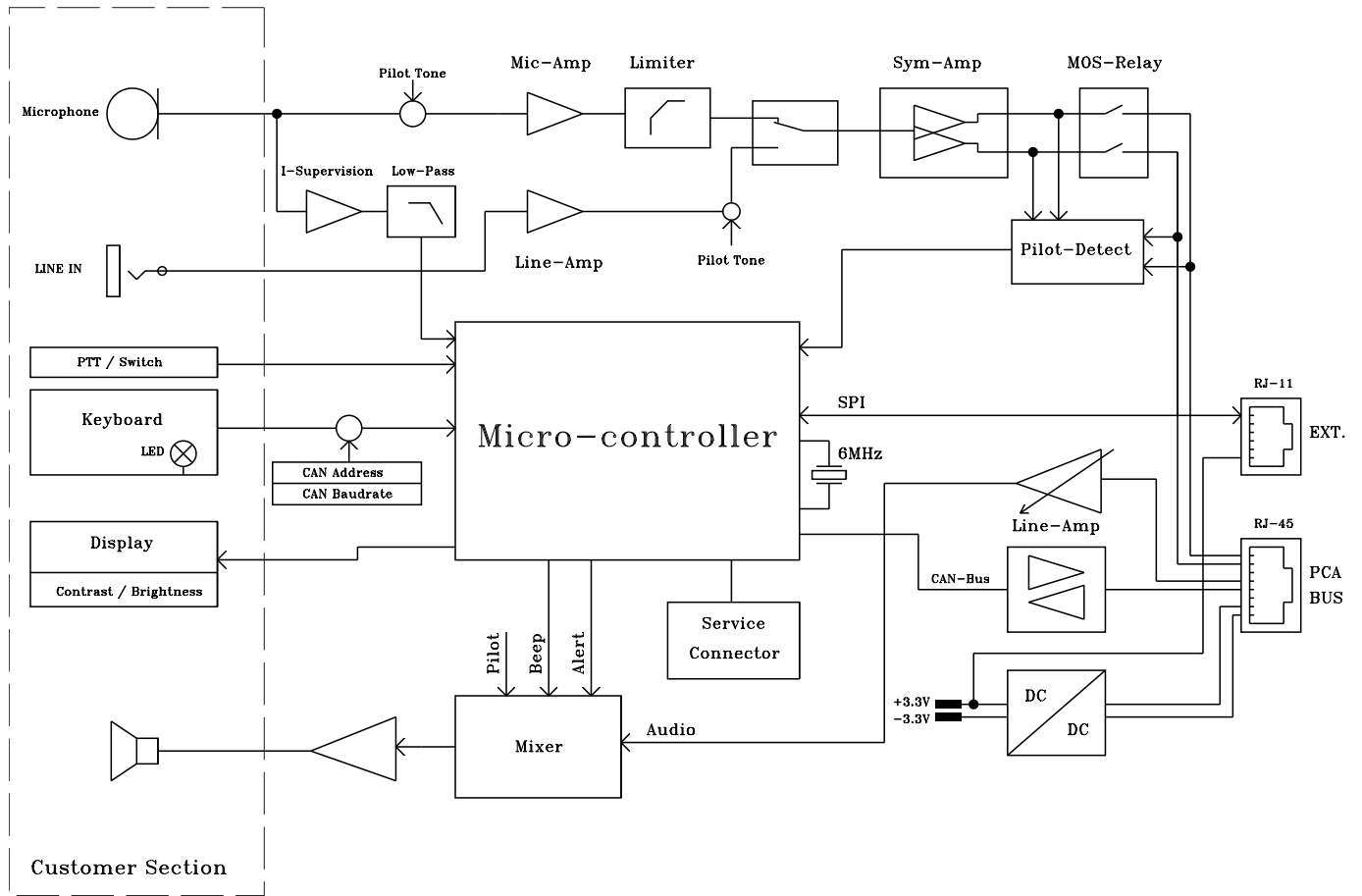
*** PMX-CSK Scope of Delivery**

Technical specifications

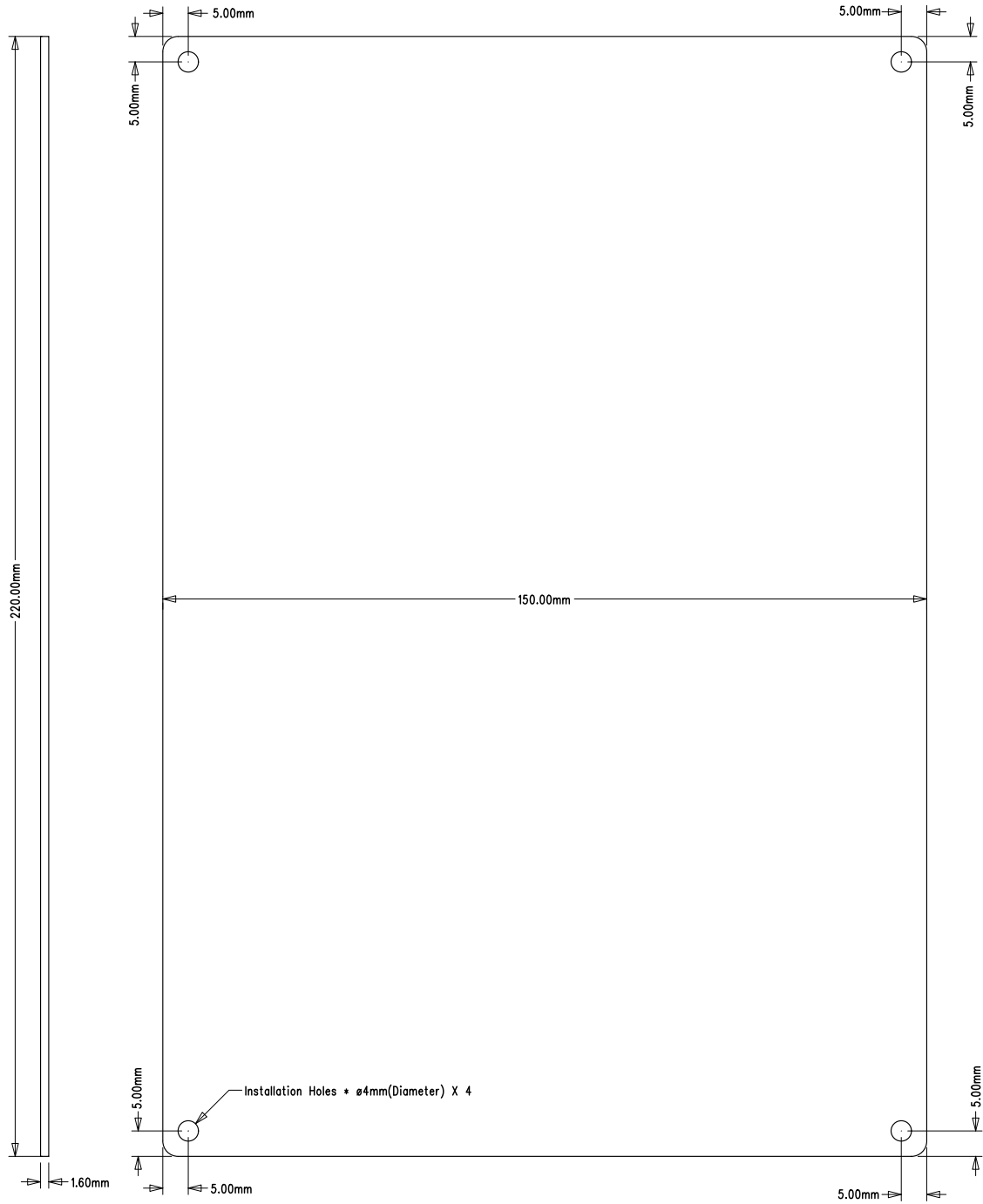
Buttons (through screw-terminal connectors)	<p>5 pre-programmed 15 programmable zone/function buttons 3 supervised programmable optional emergency buttons 2 connections for each button; 23 buttons share 6 common VCCs (3V3 - DC) Each button has short circuit protection</p>
LEDs connected to buttons (through screw-terminal connectors)	<p>This kit supports open drain outputs with max. 5 mA per output. Using the internal supply, a maximum of 100 mA can be sourced for all outputs. The kit also provides an external power supply for lighting LEDs of external normal buttons. 2 connections (VCC & open collector) are available for each LED connected to a button. In total, 38 LEDs share 10 common MIX_PWR_LED. These LEDs are supplied with 5 V DC using the internal power supply. The connected LEDs are supplied with 24 V DC using the external power supply. Each LED circuit has short-circuit protection.</p>
Power LED (through screw-terminal connectors)	<p>Driven by MIX_PWR_LED (5 V DC or 24 V DC) 2 connections (VCC & open collector)</p>
Fault LED (through screw-terminal connectors)	<p>Driven by MIX_PWR_LED (5 V DC or 24 V DC) 2 connections (VCC & open collector)</p>
Alarm LED (through screw-terminal connectors)	<p>Driven by MIX_PWR_LED (5 V DC or 24 V DC) 2 connections (VCC & open collector)</p>

Included LCD display kit	A flat ribbon cable connects the display to the call station kit mainboard. The ribbon cable length is +/- 300 mm
Others (through screw-terminal connectors)	<p>1 audio source (line in) 1 supervised microphone input (LBB9081) capsule and PTT button connection (input & VCC) with short-circuit protection. 1 loudspeaker connection, 1 additional +24 V DC power supply</p>
External connectors	<p>1 call station bus connector (control data + audio + power supply, RJ-45) 1 EXT connector (RJ-12, e.g. for call station extension)</p>
Main power supply	
<ul style="list-style-type: none"> Nominal voltage 	24 V DC (-10%/+30%)
<ul style="list-style-type: none"> Maximum voltage range 	15–58 V DC
Nominal current consumption for main power supply	< 100 mA
Maximum supply current	
<ul style="list-style-type: none"> External power supply for lighting, without extensions 	<p>< 80 mA/24 V < 110 mA/18 V</p>
<ul style="list-style-type: none"> Internal power supply for lighting, without extensions 	<p>< 150 mA/24 V < 200 mA/18 V</p>
CAN interface	10, 20, or 62.5 kbit/s
Maximum mic input level	-21 dBu
Maximum line input level	+4 dBu
NF output	Balanced
<ul style="list-style-type: none"> Nominal level 	+6 dBu
<ul style="list-style-type: none"> Maximum level 	+12 dBu
Frequency response	200–16,000 Hz, +0/-3 dB
Signal-to-noise ratio (Mic and Line input, NF output)	≥ 60 dB
Buttons	
<ul style="list-style-type: none"> Nominal voltage 	3.3 V DC
<ul style="list-style-type: none"> Max current 	100 mA
PTT input switch	
<ul style="list-style-type: none"> Nominal voltage 	3.3 V DC
<ul style="list-style-type: none"> Max current 	100 mA
LEDs	

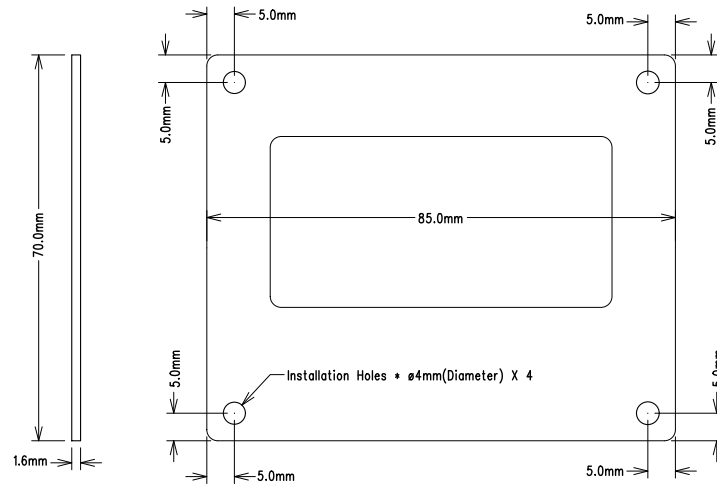
• Nominal drive current	5 mA for each LED
• Maximum drive current	20 mA for each LED
• Nominal drive voltage	<ul style="list-style-type: none"> • 5 V by internal power supply for 5-V point lighting LEDs • 24 V by external power supply for 24-V ring lighting LEDs
Additional power supply for industrial buttons backlight	
• Nominal voltage	24 V DC (-10/+30%)
• Nominal current consumption	< 300 mA
• Maximum supply current	< 500 mA at 24 V
External speaker	
• Nominal resistance	8 Ω
• Power rating	1.5 W
• Maximum power	2 W
• Nominal operating voltage	3.5 V
Normal microphone (LBB9081 reference)	
• Sensitivity	3.1 mV/Pa ±4 dB
• Frequency response	280–14000 Hz
• Rated output impedance	500 Ω
• Polar pattern	Omnidirectional
• Switch	On/off with remote control contact



Circuit diagram



Dimensions Mainboard



Dimensions LCD board

Ordering information

PVA-CSK PAVIRO Call Station Kit

Call station kit

Order number **PVA-CSK**

Represented by:

Americas:
 Bosch Security Systems, Inc.
 130 Perinton Parkway
 Fairport, New York, 14450, USA
 Phone: +1 800 289 0096
 Fax: +1 585 223 9180
 security.sales@us.bosch.com
 www.boschsecurity.us

Europe, Middle East, Africa:
 Bosch Security Systems B.V.
 P.O. Box 80002
 5617 BA Eindhoven, The Netherlands
 Phone: + 31 40 2577 284
 Fax: +31 40 2577 330
 emea.securitysystems@bosch.com
 www.boschsecurity.com

Asia-Pacific:
 Robert Bosch (SEA) Pte Ltd, Security Systems
 11 Bishan Street 21
 Singapore 573943
 Phone: +65 6571 2808
 Fax: +65 6571 2699
 apr.securitysystems@bosch.com
 www.boschsecurity.asia

China:
 Bosch (Shanghai) Security Systems Ltd.
 203 Building, No. 333 Fuquan Road
 North IBP
 Changning District, Shanghai
 200335 China
 Phone +86 21 22181111
 Fax: +86 21 22182398
 www.boschsecurity.com.cn

America Latina:
 Robert Bosch Ltda Security Systems Division
 Via Anhanguera, Km 98
 CEP 13065-900
 Campinas, Sao Paulo, Brazil
 Phone: +55 19 2103 2860
 Fax: +55 19 2103 2862
 latam.boschsecurity@bosch.com
 www.boschsecurity.com