

T8 LED TUBE LIGHTS

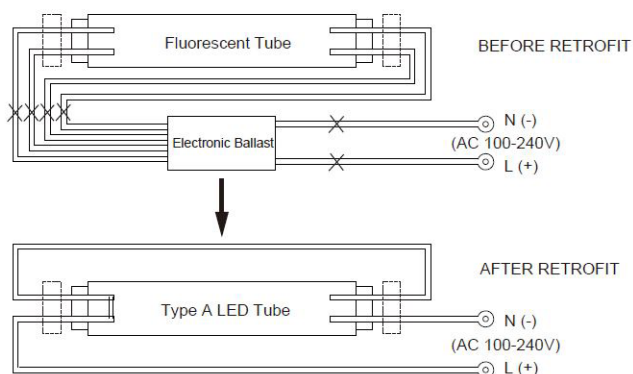
- Input voltage range: 200-240V AC 50/60Hz
- Heat sink: PC
- LED chips: SMD2835 LED
- Power factor: ≥ 0.9
- CRI: 80
- **Starter is included**
- For indoor use only
- Ambient temperature: -20 to 45°C
- Not suitable for use with dimmers
- Suitable for 2-way switching
- Suitable for use with PIR or microwave sensor
- Warranty: please see table below



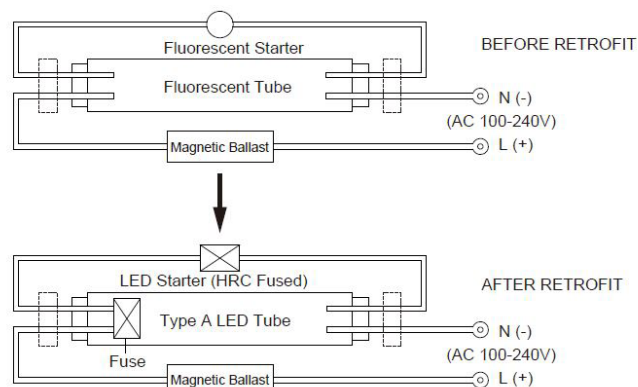
Part No.	Description	Kelvin	Lumens	Watt	CRI	Beam Angle	WTY	Dimensions	Carton QTY
LEDT82F9	GLOBE LED T8 TUBE 9W 2FT	6000K	850lm	9W	80	165°	3 year	Ø28x589mm	1/25
LEDT84F18	GLOBE LED T8 TUBE 18W 4FT	6000K	1600lm	18W	80	165°	3 year	Ø28x1198mm	1/25

INSTALLATION INSTRUCTIONS

1. Wiring example of a single circuit luminaire with electronic ballast



2. Wiring example of a single circuit luminaire with magnetic ballast



* Must be installed by a licenced electrician (Installation instructions sheet provided in each product box)