

REV.	ECN NO.	DESCRIPTION	SIGN	DATE

--	--	--	--	--

F

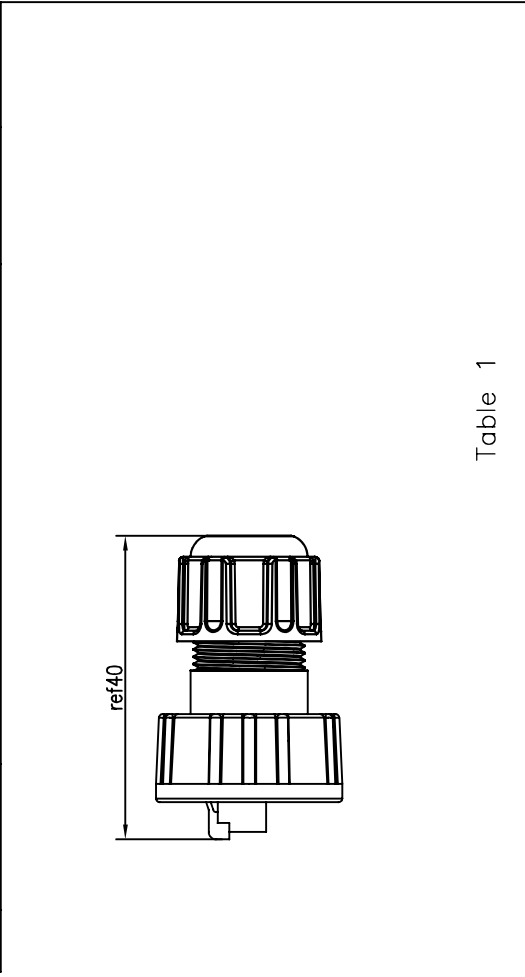
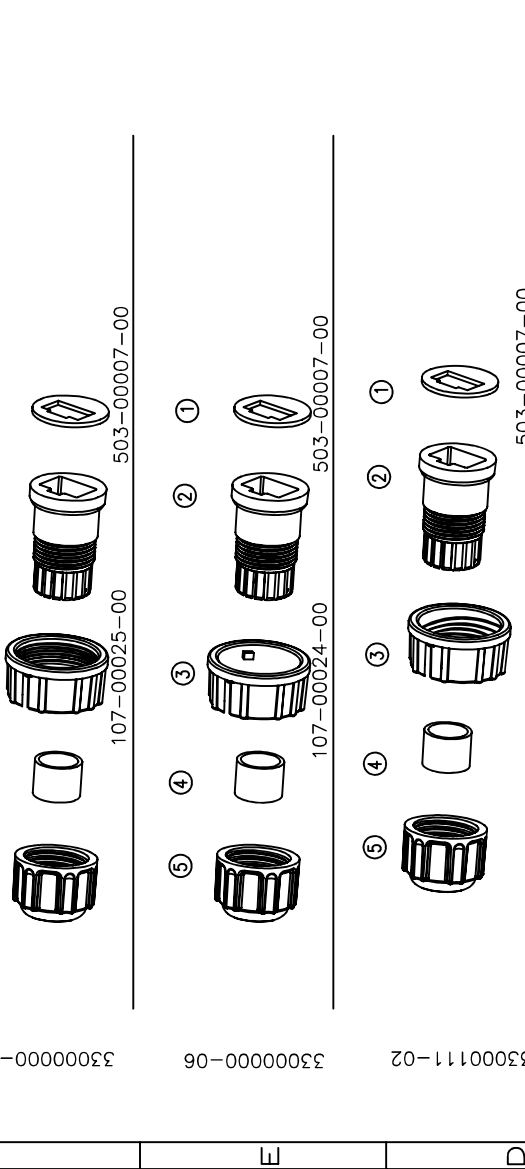


Table 1

Hole No	Part No.	1 GASKET		3 NUT		TITLE
		Material No.	Q'ty	Material No.	Q'ty	
1	33000000-03	503-00007-00	1	107-00025-00	1	RJ45螺纹款插头
2	33000000-06	503-00007-00	1	107-00024-00	1	RJ45快卡款插头
3	33000111-02	503-00007-00	1	107-00029-00	1	RJ45粗螺纹款插头
4	33000111-01	503-00038-00	1	202-00005-05	1	RJ45金属螺纹款插头



Hole No	Part No.	1 GASKET		3 NUT		TITLE
		Material No.	Q'ty	Material No.	Q'ty	
1	33000000-03	503-00007-00	1	107-00025-00	1	RJ45螺纹款插头
2	33000000-06	503-00007-00	1	107-00024-00	1	RJ45快卡款插头
3	33000111-02	503-00007-00	1	107-00029-00	1	RJ45粗螺纹款插头
4	33000111-01	503-00038-00	1	202-00005-05	1	RJ45金属螺纹款插头

E

D



Hole No	Part No.	1 GASKET		3 NUT		TITLE
		Material No.	Q'ty	Material No.	Q'ty	
1	33000111-02	503-00007-00	1	107-00029-00	1	RJ45粗螺纹款插头
2	33000111-01	503-00038-00	1	202-00005-05	1	RJ45金属螺纹款插头

C

Hole No	Part No.	1 GASKET		3 NUT		TITLE
		Material No.	Q'ty	Material No.	Q'ty	
1	33000111-02	503-00007-00	1	107-00029-00	1	RJ45粗螺纹款插头
2	33000111-01	503-00038-00	1	202-00005-05	1	RJ45金属螺纹款插头

No.	Material No.	Q'ty	Material Description	Cable Range
5	109-00001-00	1	RJ45-压紧螺母	
4	502-00001-00	1	MIDDLE系列厚密封环Seals B2	
3	See above table 1	1	RJ45 锁环 NUT	
2	101-00053-00	1	RJ45 公头	
1	See above table 1	1	胶垫 Gasket	

B

UNIT:mm		DESCRIPTION:		RJ45插头	
TOLERANCE	±0.25	SCALE	1:1	SHEET	1 OF 1
.X	±0.10	REV.	D1	SIZE	A4
.XX	±0.05	* :inspection item			
.XXX	±1'				
ANGLES	±1'				

PART NO:	33000000-03/06	DRAWN BY	莫袖鹏	DATE	20131111
MATERIAL:	33000111-01/02	CHECKED BY	潘锦华	DATE	2013.11.13
CUSTOMER:		APPROVED BY		DATE	2013.11.13

A

Table 2

性能参数 Specification:

1. 工作温度 Operation temperature: -40℃~85℃.
2. 绝缘电阻 Insulation resistance: 100MΩ at DC500V.
3. 接触电阻 Contact resistance: <30mΩ.
4. 防水等级 Waterproof: IP67.
5. 机械寿命 Mating cycles: 500 cycles.

材料表

CHOGORI
深圳乔合里科技有限公司